

NOTES:

1. MATERIAL AND FINISHES:

- HEX NUT - BRASS, GOLD PLATING
- LOCK WASHER - BRASS, GOLD PLATING
- GASKET - SILICONE RUBBER, RED
- INNER FERRULE - BRASS, GOLD PLATING
- SLEEVE - BRASS, GOLD PLATING
- BODY - BRASS, GOLD PLATING
- CONTACT - BRASS, GOLD PLATING
- INSULATOR - PTFE, NATURAL

2. ELECTRICAL:

- A. IMPEDANCE: 50 OHM
- B. FREQUENCY RANGE: 0-12.4 GHz
- C. VSWR (RETURN LOSS): 1.3 (-17.700 dB) MAX. @ 0-3 GHz
- D. D.W.V: 1000 VRMS. MIN.

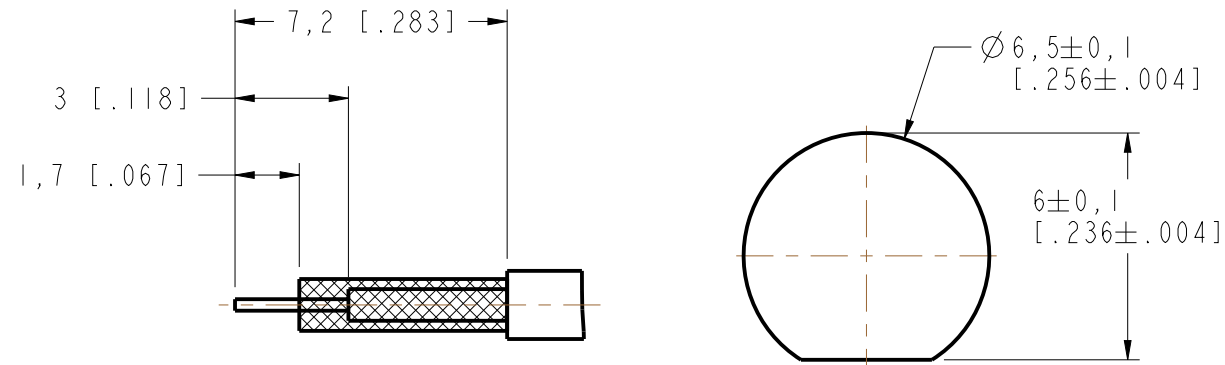
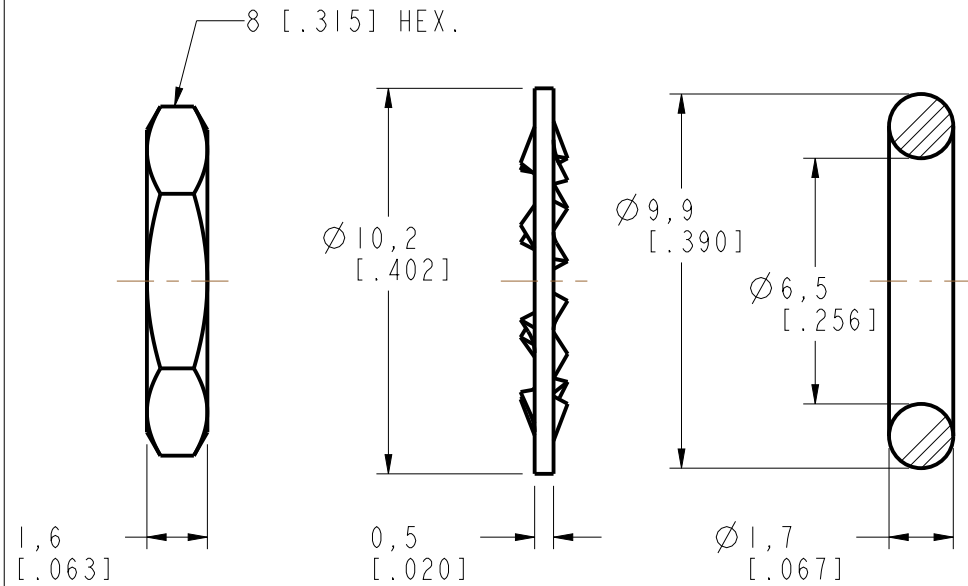
3. MECHANICAL:

- A. DURABILITY: 500 CYCLES MIN.
- B. TEMPERATURE RANGE: -65°C TO +165°C

4. CRIMPED FERRULE HEX CRIMP SIZE .128"

5. CONTACT PIN TO SOLDER

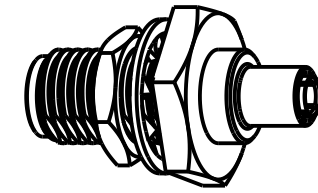
6. MAX. PANEL THICKNESS= 3.2 mm



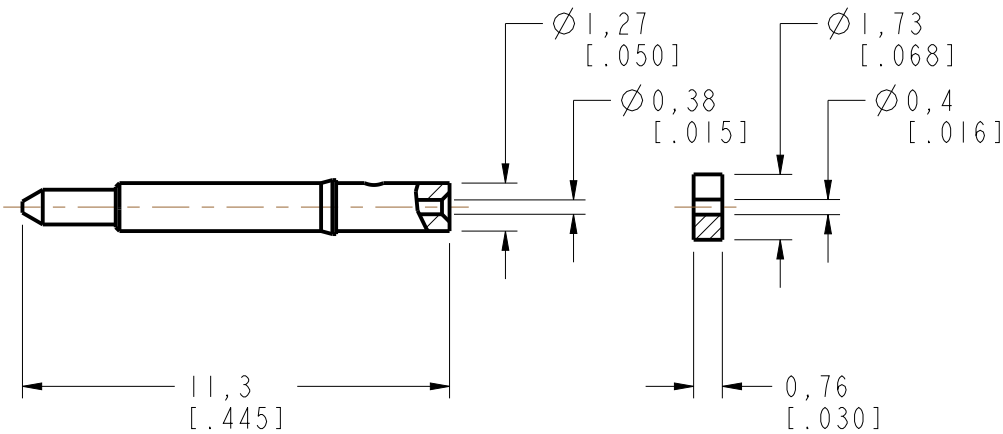
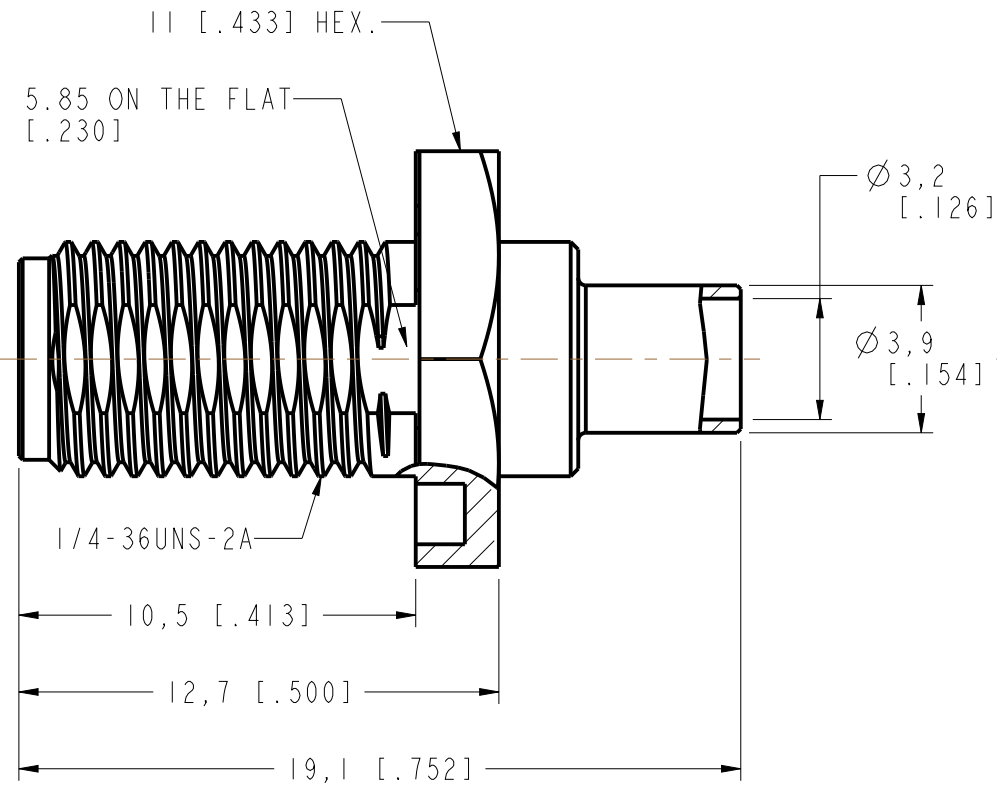
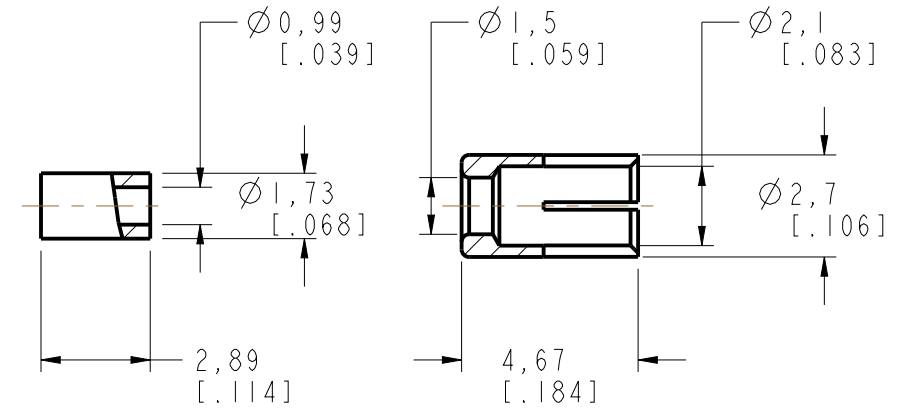
RECOMMENDED CABLE STRIPPING DIM'S

RECOMMENDED MOUNTING HOLE

| | | REVISIONS | | | |
|-----|---|-----------|------|------|--|
| REV | DESCRIPTION | DATE | ECO | APPR | |
| NC | INITIAL RELEASE | 20-Oct-05 | ---- | GRS | |
| A | ADD THE METAL SLEEVE, UPDATE DRAWING FORMAT | 03-Dec-14 | 2826 | MZ | |



SCALE 2.000



CUSTOMER OUTLINE DRAWING

ALL OTHER SHEETS ARE FOR INTERNAL USE ONLY

UNLESS OTHERWISE SPECIFIED, DIMENSIONS ARE IN METRIC AND TOLERANCES ARE:
 <0.5mm ± 0.05mm 0.5 - 6mm ± 0.1mm 6 - 30mm ± 0.2mm 30 - 120mm ± 0.3mm ANGLES ± 1°

NOTICE - These drawings, specifications, or other data (1) are, and remain the property of Amphenol corp. (2) must be returned upon request; and (3) are confidential and not to be disclosed to any person other than those to whom they are given by Amphenol Corp. the furnishing of these drawings, specifications, or other data by Amphenol Corp., or to any other person to anyone for any purpose is not to be regarded by implication or otherwise in any manner licensing, granting rights to permitting such holder or any other person to manufacture, use or sell any product, process or design, patented or otherwise, that may in any way be related to or disclosed by said drawings, specifications, or other data.

| | | | | | |
|--|----------------------|-------------------|--|--------------|--------------------|
| MATERIAL | DRAWN M. ZHANG | DATE 03-Dec-14 | TITLE SMA R/P BULKHEAD CRIMP JACK (FOR RG-178B/U, 196A/U CABLE) | | Amphenol Connex |
| REFERENCE RSM6411B4-3GT5GP-196AU-50 | ENGINEER S. DUAN | DATE 03-Dec-14 | DRAWING NO. | | |
| CONFIGURATION LEVEL: In Work | APPROVED S. HSIEH | DATE 03-Dec-14 | SCALE: 5.0:1.0 | SHEET 3 OF 3 | ITEM NO. |
| FINISH | CAD FILE | | DWG SIZE B | REV A | PART NO. 132286RP |

X-ON Electronics

Largest Supplier of Electrical and Electronic Components

Click to view similar products for [RF Connectors / Coaxial Connectors](#) category:

Click to view products by [Amphenol](#) manufacturer:

Other Similar products are found below :

[8915-1511-000](#) [89674-0827](#) [6001-7071-019](#) [6002-7051-003](#) [6002-7551-202](#) [6059674-1](#) [619550-1](#) [630059-000](#) [M39030/3-01N](#) [M3933/25-36N](#) [6500-7071-046](#) [6769](#) [CX050L2AQ](#) [7002-1542-011](#) [7004-1512-000](#) [7009-1511-004](#) [7010-1511-000](#) [7029-1511-060](#) [7101-1541-010](#) [7101-1571-002](#) [7105-1521-002](#) [7145-1521-002](#) [7203-1571-003](#) [7209-1511-011](#) [7210-1511-015](#) [7210-1511-019](#) [73137-5015](#) [73216-2241](#) [7325-1512-000](#) [73404-2300](#) [7405-1521-005](#) [7405-1521-802](#) [7406-1521-005](#) [8527](#) [8547](#) [FS11V](#) [8808-1511-001](#) [9049-9513-000](#) [9074-9513-000](#) [9101-9573-002](#) [910A205F](#) [9130-9573-002](#) [PL11SC-026](#) [PL375-33](#) [PL40-5](#) [PL71-9](#) [PL74C-221](#) [PL75MC-217](#) [PL803-7](#) [980-8666-005](#)