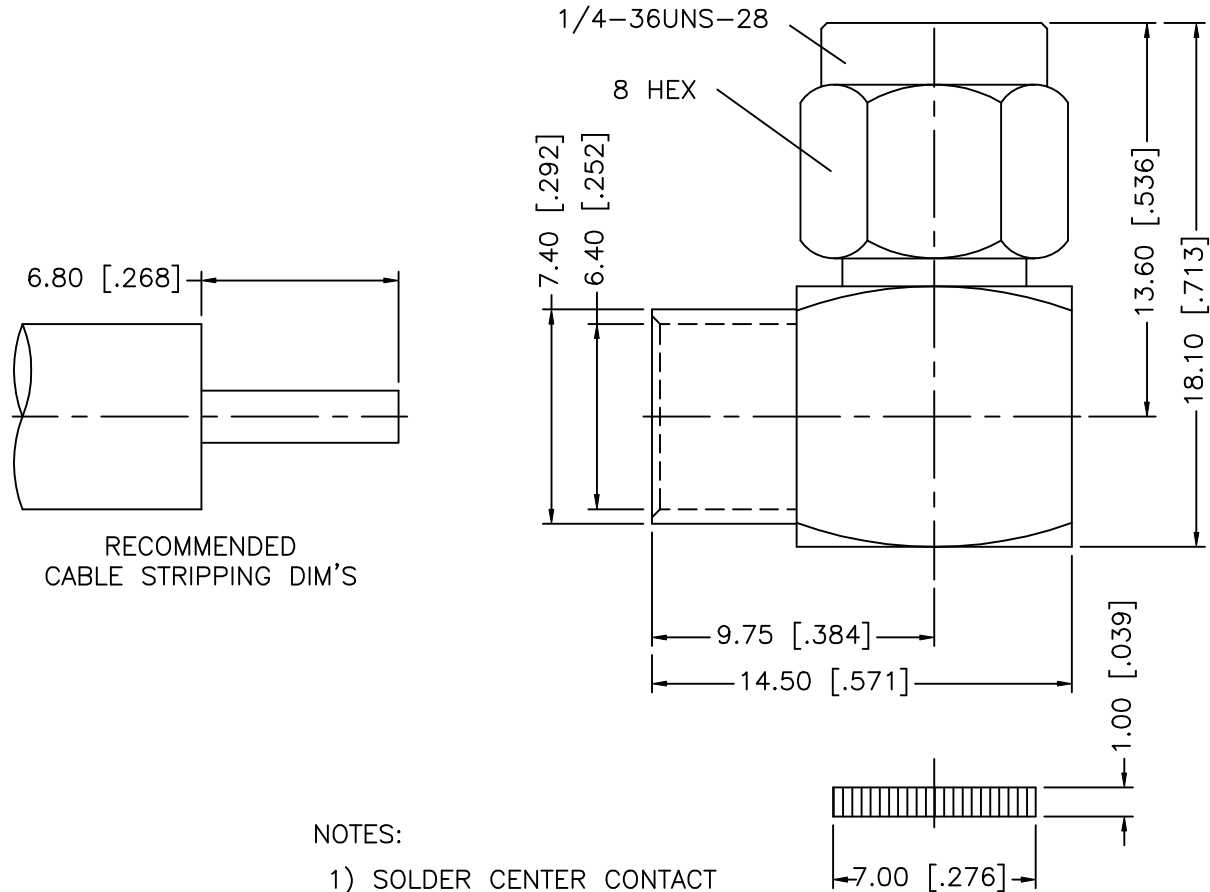


|      |          |                 |
|------|----------|-----------------|
| REV. | DATE     | DESCRIPTION     |
| NC   | 06/11/02 | INITIAL RELEASE |



|   |              |          |         |
|---|--------------|----------|---------|
| 8 |              |          |         |
| 7 |              |          |         |
| 6 |              |          |         |
| 5 |              |          |         |
| 4 | COVER        | BRASS    | GOLD    |
| 3 | CONTACT PIN  | BRASS    | GOLD    |
| 2 | INSULATOR    | TEFLON   | NATURAL |
| 1 | HOUSING/BODY | BRASS    | GOLD    |
|   | DESCRIPTION  | MATERIAL | FINISH  |

|  |
|--|
| UNLESS OTHERWISE SPECIFIED<br>DIMENSIONS ARE IN MILLIMETERS  |
| DIMENSIONS IN [ ]<br>ARE IN INCHES FOR<br>CUSTOMER REFERENCE ONLY  |
| UNLESS OTHERWISE SPECIFIED<br>TOLERANCES FOR INCHES ARE:<br>.XXX = ± 0.005"<br>.XX = ± 0.010"<br>.X = ± 0.020" |
| DO NOT SCALE DRAWING   |

|              |          |
|--------------|----------|
| APPROVALS    | DATE     |
| DRAWN G.R.S. | 06/11/02 |
| CHECKED      |          |
| ISSUED       |          |

|   |                    |                        |            |
|---|--------------------|------------------------|------------|
| <b>Amphenol - Connex</b>  |                    |                        |            |
| CONNECTOR CORPORATION   |                    |                        |            |
| TITLE<br>SMA R/A DIRECT SOLDER PLUG<br>(FOR .250" SEMI RIGID CABLE) |                    |                        |            |
| SIZE<br>A   | FSCM NO.<br>99001  | DWG. NO.<br>132344.DWG | REV.<br>NC |
| SCALE<br>NA   | PART NO.<br>132344 | SHEET<br>1 OF 1        |            |

## X-ON Electronics

Largest Supplier of Electrical and Electronic Components

*Click to view similar products for [RF Connectors / Coaxial Connectors](#) category:*

*Click to view products by [Amphenol](#) manufacturer:*

Other Similar products are found below :

[8915-1511-000](#) [89674-0827](#) [6001-7071-019](#) [6002-7051-003](#) [6002-7551-202](#) [6059674-1](#) [619550-1](#) [630059-000](#) [M39030/3-01N](#) [M3933/25-36N](#) [6500-7071-046](#) [6769](#) [CX050L2AQ](#) [7002-1542-011](#) [7004-1512-000](#) [7009-1511-004](#) [7010-1511-000](#) [7029-1511-060](#) [7101-1541-010](#) [7101-1571-002](#) [7105-1521-002](#) [7145-1521-002](#) [7203-1571-003](#) [7209-1511-011](#) [7210-1511-015](#) [7210-1511-019](#) [73137-5015](#) [73216-2241](#) [7325-1512-000](#) [73404-2300](#) [7405-1521-005](#) [7405-1521-802](#) [7406-1521-005](#) [8527](#) [8547](#) [FS11V](#) [8808-1511-001](#) [9049-9513-000](#) [9074-9513-000](#) [9101-9573-002](#) [910A205F](#) [9130-9573-002](#) [PL11SC-026](#) [PL375-33](#) [PL40-5](#) [PL71-9](#) [PL74C-221](#) [PL75MC-217](#) [PL803-7](#) [980-8666-005](#)