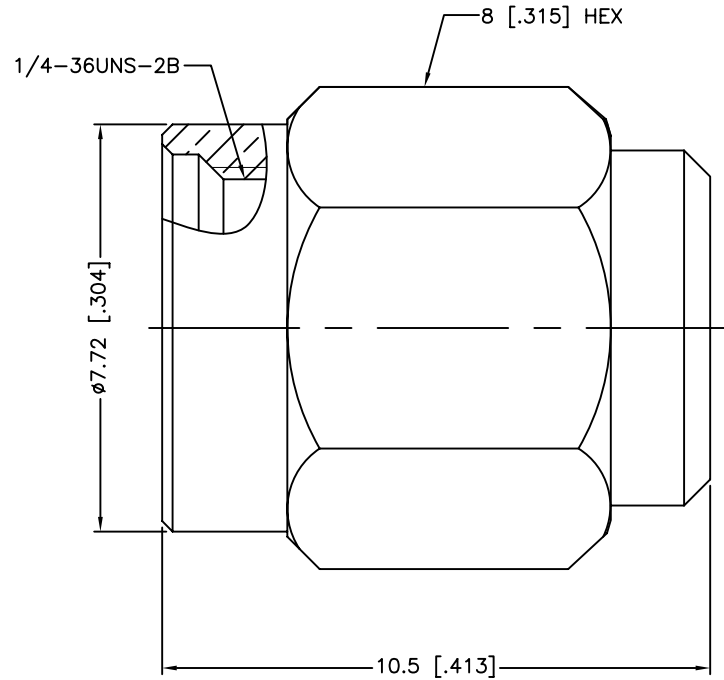


REV.	DATE	ECR NO.	DESCRIPTION
NC	10/24/10	XXXXXX	INITIAL RELEASE
A	10/06/11	2236	UPDATE THE RESISTOR'S DESCRIPTION



1. IMPEDANCE:50 OHM
2. FREQUENCY RANGE: 0-18 GHz.
3. DURABILITY:500 CYCLES MIN.

<small>UNLESS OTHERWISE SPECIFIED DIMENSIONS ARE IN MILLIMETERS. DIMENSIONS IN [ ] ARE IN INCHES AND FOR CUSTOMER REFERENCE ONLY.</small> <small>UNLESS OTHERWISE SPECIFIED TOLERANCES FOR MILLIMETERS ARE:  0.5 - 8mm ± 0.20mm  8 - 30mm ± 0.40mm  30 - 120mm ± 0.50mm</small> <small>UNLESS OTHERWISE SPECIFIED TOLERANCES FOR INCHES ARE:  .020 - .315 = ± 0.007"  .315 - 1.180 = ± 0.015"  1.180 - 4.724 = ± 0.020"</small>				APPROVALS		DATE		<h1 style="color: blue;">Amphenol Connex</h1>										
				DRAWN M.ZHANG		10/06/11												
6 RESISTOR 100 OHM, 0.1 WATT, 1% 2				CHECKED				<b>REVERSE POLARITY SMA TERMINATOR PLUG (FOR 50 OHMS)</b>										
5 CONTACT PIN BERYLLIUM COPPER GOLD 1				ISSUED														
4 INSULATOR PTFE NATURAL 1				SHEET 1 OF 1				<b>132360RP</b>										
3 GASKET SILICON RUBBER RED 1				CAD FILE		C:/CONNEX/132360RP.DWG					<small>DWG. NO. 132360RP.DWG    REV. A    SIZE A    SCALE NA</small>							
2 BODY BRASS GOLD 1																		
1 SHELL BRASS GOLD 1																		
<table border="1" style="width: 100%; border-collapse: collapse;"> <thead> <tr> <th style="width: 25%;">DESCRIPTION</th> <th style="width: 25%;">MATERIAL</th> <th style="width: 25%;">FINISH</th> <th style="width: 25%;">QTY</th> </tr> </thead> <tbody> <tr> <td>DO NOT SCALE DRAWING</td> <td></td> <td></td> <td></td> </tr> </tbody> </table>				DESCRIPTION	MATERIAL	FINISH	QTY	DO NOT SCALE DRAWING										
DESCRIPTION	MATERIAL	FINISH	QTY															
DO NOT SCALE DRAWING																		

## X-ON Electronics

Largest Supplier of Electrical and Electronic Components

*Click to view similar products for [RF Terminators](#) category:*

*Click to view products by [Amphenol](#) manufacturer:*

Other Similar products are found below :

[M390303-02N](#) [M39030/3-04S](#) [M39030/3-09S](#) [TNG1-9-78-D3](#) [TNA2-50](#) [TNG1-6-78](#) [TNH1-1-50](#) [R404280000](#) [TNGFL1-1-78](#) [R4042N5000](#)  
[R404518000](#) [53S1RR-001N3](#) [142275](#) [56S1RR-001N4](#) [18S15R-0.5E3](#) [65\\_BNC-50-0-7/133\\_NE](#) [71S1RR-001N4](#) [02S17R-001D3](#)  
[R404240120](#) [R404260000](#) [HT-10-2](#) [M39030/3-04N](#) [TNA1-6-50](#) [131-3801-811](#) [TNA1-1-50](#) [65\\_N-50-0-51/113\\_NE](#) [65\\_N-50-0-1/133\\_NE](#)  
[65002\\_N-50-1/122\\_NE](#) [65\\_MMCX-50-0-31/111\\_OE](#) [18K15R-0.5E3](#) [2702702](#) [TRM-2161-M0-35M-02](#) [53S17R-001N3](#) [18S24H-40ML5](#)  
[TRM-2053-M0-NNN-02](#) [R404759000](#) [M39030/6-02N](#) [TRM-2080-M0-NNN-07](#) [TRM-2053-MC-NNN-02](#) [M39030/3-03S](#) [SF8012-6009](#)  
[6701.01.A](#) [65\\_716-50-0-2/003\\_-E](#) [65\\_SMB-50-0-1/111\\_NE](#) [M39030/3-12N](#) [M39030/5-06N](#) [82-5722-RFX](#) [8018-6174](#) [SF8018-6005](#) [000-46650-51RFX](#)