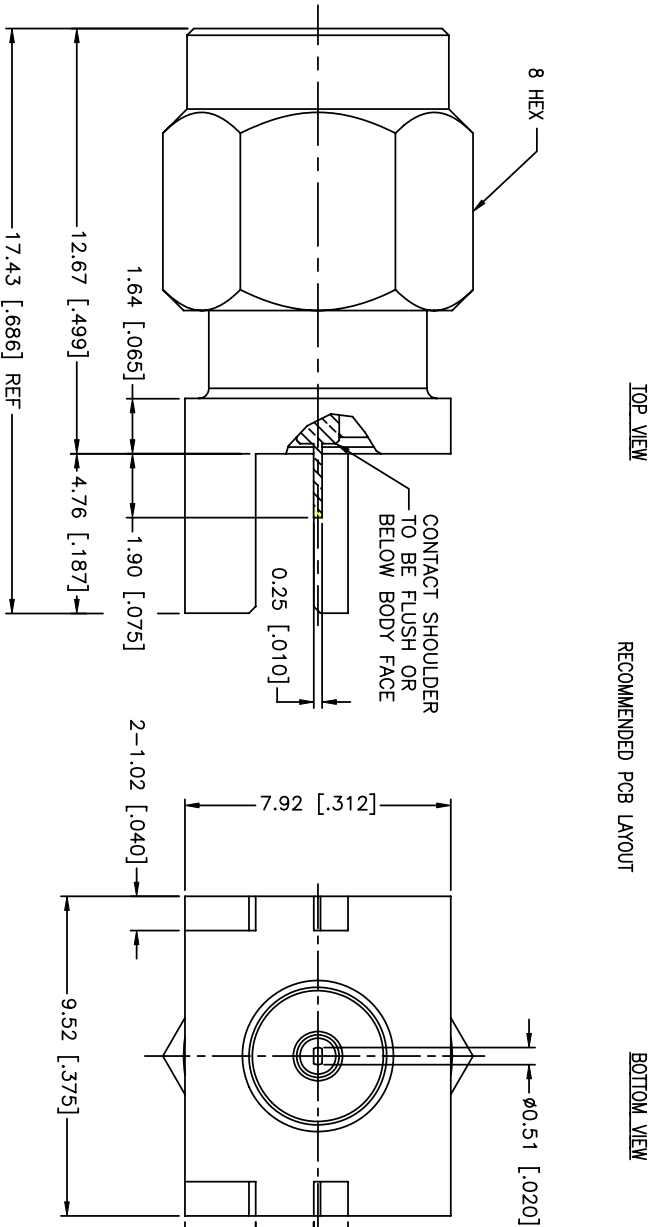
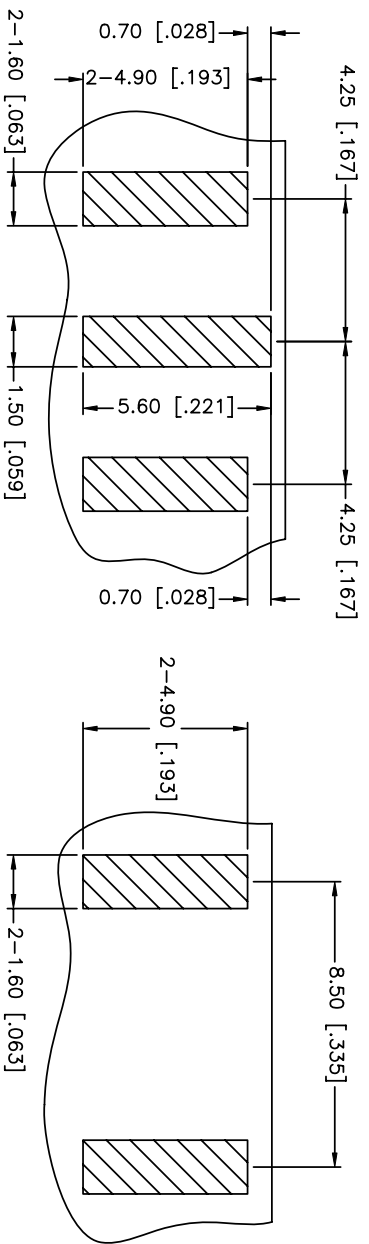
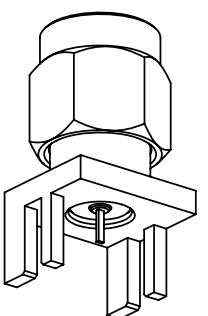


REV.	DATE	ECR NO.	DESCRIPTION
NC	03/24/12	XXXXXX	INITIAL RELEASE



- NOTES:
1. IMPEDANCE: 50 OHM
  2. FREQUENCY RANGE: DC-18 GHz
  3. DIELECTRIC WITHSTANDING VOLTAGE: 1000 VRMS, MIN.
  4. DURABILITY: 500 CYCLES MIN.
  5. TEMPERATURE RANGE: -65°C TO +165°C
  6. CONTACT PIN MUST WITHSTAND 6 LBS MIN. AXIAL IN BOTH DIRECTIONS AND 4 IN-OZ MIN. RADIAL FORCE.
  7. BOARD THICKNESS=1.57 MM [0.062"]



QTY	FINISH	MATERIAL	DESCRIPTION
1	NATURAL	STAINLESS STEEL	RETAINING RING
1	RED	SILICONE RUBBER	GASKET
1	GOLD	BRASS	SHELL
1	GOLD	BRASS	CONTACT PIN
1	NATURAL	PTFE	INSULATOR
1	GOLD	BRASS	BODY

UNLESS OTHERWISE SPECIFIED DIMENSIONS ARE IN INCHES AND FOR CUSTOMER REFERENCE ONLY.

TOLERANCES FOR MILLIMETERS ARE:

UNLESS OTHERWISE SPECIFIED:

0.5 - 0.9mm ± 0.20mm

1 - 30mm ± 0.40mm

30 - 120mm ± 0.50mm

TOLERANCES FOR INCHES ARE:

UNLESS OTHERWISE SPECIFIED:

0.20 - .315 ± 0.007"

.315 - 1.180 ± 0.015"

1.180 - 4.724 ± 0.020"

DO NOT SCALE DRAWING

APPROVALS	DATE
DRAWN 1.XU	03/24/12
CHECKED	
ISSUED	
SHEET 1 OF 1	

**Amphenol Connex**

PART DESCRIPTION

SMA END LAUNCH PLUG RECEPTACLE, FLUSH FLANGE (.062" BOARD THICKNESS), FLAT TAB CONTACT

PART NO. 132365-10

DWG. NO. 132365-10

REV. NC

SIZE A

SCALE NA

## X-ON Electronics

Largest Supplier of Electrical and Electronic Components

*Click to view similar products for [RF Connectors / Coaxial Connectors](#) category:*

*Click to view products by [Amphenol](#) manufacturer:*

Other Similar products are found below :

[8915-1511-000](#) [89674-0827](#) [6001-7071-019](#) [6002-7051-003](#) [6002-7551-202](#) [6059674-1](#) [619550-1](#) [630059-000](#) [M39030/3-01N](#) [M3933/25-36N](#) [6500-7071-046](#) [6769](#) [CX050L2AQ](#) [7002-1542-011](#) [7004-1512-000](#) [7009-1511-004](#) [7010-1511-000](#) [7029-1511-060](#) [7101-1541-010](#) [7101-1571-002](#) [7105-1521-002](#) [7145-1521-002](#) [7203-1571-003](#) [7209-1511-011](#) [7210-1511-015](#) [7210-1511-019](#) [73137-5015](#) [73216-2241](#) [7325-1512-000](#) [73404-2300](#) [7405-1521-005](#) [7405-1521-802](#) [7406-1521-005](#) [8527](#) [8547](#) [FS11V](#) [8808-1511-001](#) [9049-9513-000](#) [9074-9513-000](#) [9101-9573-002](#) [910A205F](#) [9130-9573-002](#) [PL11SC-026](#) [PL375-33](#) [PL40-5](#) [PL71-9](#) [PL74C-221](#) [PL75MC-217](#) [PL803-7](#) [980-8666-005](#)