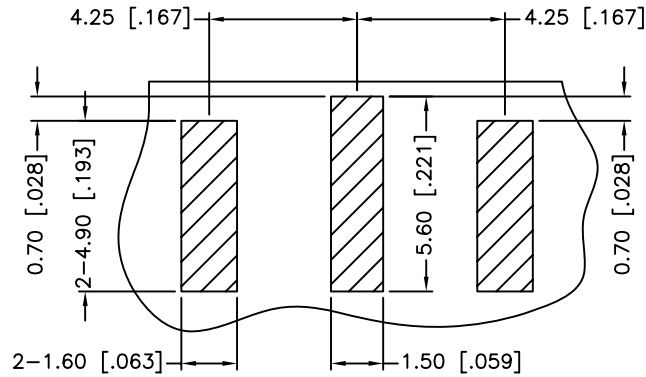
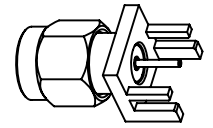
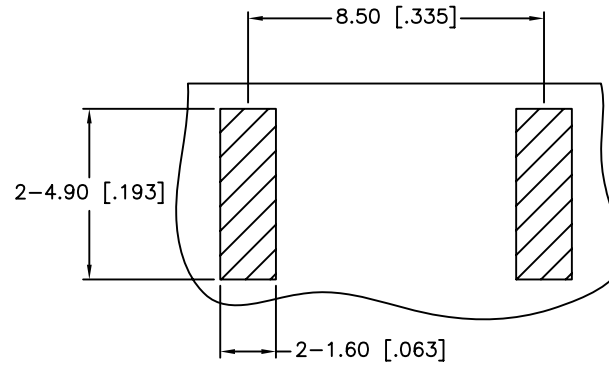


REV.	DATE	ECR NO.	DESCRIPTION
NC	03/30/04	XXXXXX	INITIAL RELEASE
A	10/22/13	2540	ADD RECOMMENDED PCB LAYOUT, UPDATE DRAWING FORMAT

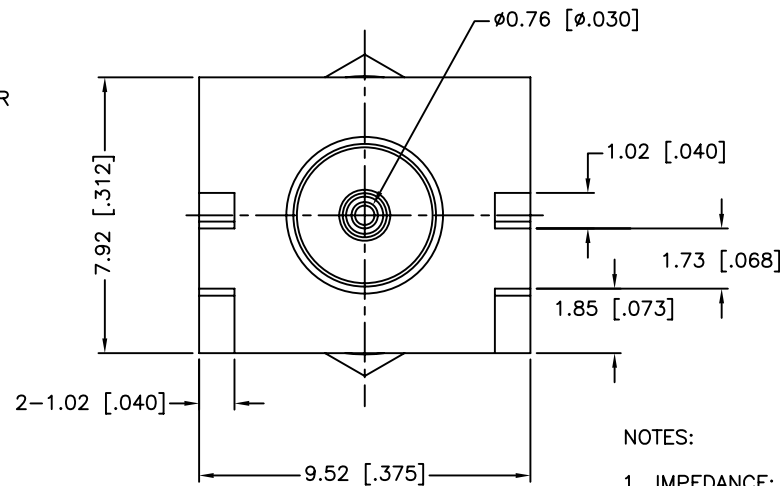
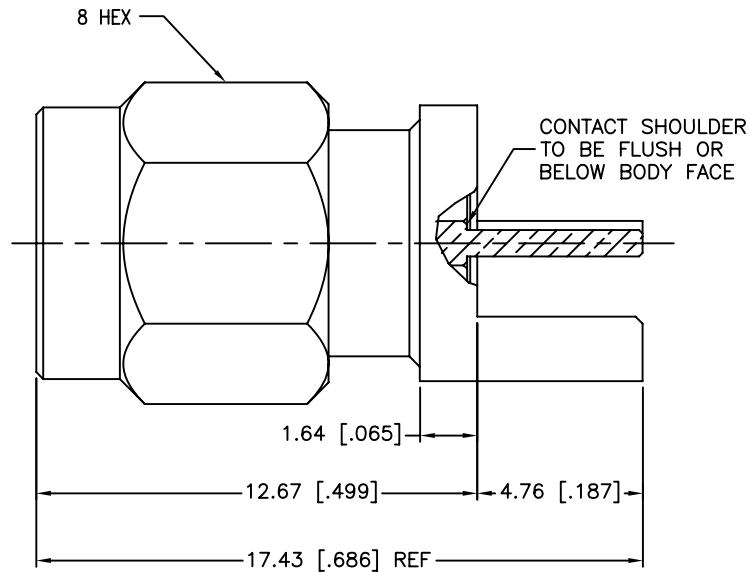


TOP VIEW

RECOMMENDED PCB LAYOUT



BOTTOM VIEW



NOTES:

1. IMPEDANCE: 50 OHM
2. FREQUENCY RANGE: DC-18 GHZ
3. DIELECTRIC WITHSTANDING VOLTAGE: 1000 VRMS, MIN.
4. DURABILITY: 500 CYCLES MIN.
5. TEMPERATURE RANGE: -65°C TO +165°C
6. BOARD THICKNESS=1.57 MM [.062"]

UNLESS OTHERWISE SPECIFIED DIMENSIONS ARE IN MILLIMETERS. DIMENSIONS IN [] ARE IN INCHES AND FOR CUSTOMER REFERENCE ONLY.

UNLESS OTHERWISE SPECIFIED TOLERANCES FOR MILLIMETERS ARE:
 <0.5 ± 0.05mm
 0.5 - 6mm ± 0.10mm
 6 - 30mm ± 0.20mm
 30 - 120mm ± 0.30mm
 ANGLES ± 1°

UNLESS OTHERWISE SPECIFIED TOLERANCES FOR INCHES ARE:
 .020 - .236 ± 0.002"
 .236 - 1.180 ± 0.004"
 1.180 - 4.724 ± 0.007"
 4.724 - 11.178 ± 0.012"
 ANGLES ± 1°

DO NOT SCALE DRAWING

APPROVALS		DATE
DRAWN	S.LI	10/22/13
CHECKED		
ISSUED		
SHEET	1 OF 1	
CAD FILE	C:/CONNEX/132366.DWG	

Amphenol Connex

PART DESCRIPTION			
SMA END LAUNCH RECEPT. PLUG (FOR .062" THICK PCB)			
PART NO.			
132366			
DWG. NO.	REV.	SIZE	SCALE
132366	A	A	NA

DESCRIPTION	MATERIAL	FINISH	QTY
6 RETAINING RING	STAINLESS STEEL	NATURAL	1
5 GASKET	SILICONE RUBBER	RED	1
4 SHELL	BRASS	GOLD	1
3 CONTACT PIN	BRASS	GOLD	1
2 INSULATOR	PTFE	NATURAL	1
1 BODY	BRASS	GOLD	1

X-ON Electronics

Largest Supplier of Electrical and Electronic Components

Click to view similar products for [RF Connectors / Coaxial Connectors](#) category:

Click to view products by [Amphenol](#) manufacturer:

Other Similar products are found below :

[8915-1511-000](#) [89674-0827](#) [6001-7071-019](#) [6002-7051-003](#) [6002-7551-202](#) [6059674-1](#) [619550-1](#) [630059-000](#) [M39030/3-01N](#) [M3933/25-36N](#) [6500-7071-046](#) [6769](#) [CX050L2AQ](#) [7002-1542-011](#) [7004-1512-000](#) [7009-1511-004](#) [7010-1511-000](#) [7029-1511-060](#) [7101-1541-010](#) [7101-1571-002](#) [7105-1521-002](#) [7145-1521-002](#) [7203-1571-003](#) [7209-1511-011](#) [7210-1511-015](#) [7210-1511-019](#) [73137-5015](#) [73216-2241](#) [7325-1512-000](#) [73404-2300](#) [7405-1521-005](#) [7405-1521-802](#) [7406-1521-005](#) [8527](#) [8547](#) [FS11V](#) [8808-1511-001](#) [9049-9513-000](#) [9074-9513-000](#) [9101-9573-002](#) [910A205F](#) [9130-9573-002](#) [PL11SC-026](#) [PL375-33](#) [PL40-5](#) [PL71-9](#) [PL74C-221](#) [PL75MC-217](#) [PL803-7](#) [980-8666-005](#)