

NOTES:

1. MATERIALS AND FINISHES:

- HEX NUT - BRASS, GOLD PLATING
- LOCK WASHER - BRASS, GOLD PLATING
- FERRULE - BRASS, GOLD PLATING
- BODY - BRASS, GOLD PLATING
- CONTACT - BERYLLIUM COPPER, GOLD PLATING
- INSULATOR - PTFE, NATURAL

2. ELECTRICAL:

- A. IMPEDANCE: 50 OHM
- B. FREQUENCY RANGE: 0-6 GHZ
- C. VSWR (RETURN LOSS): 1.2 MAX. (-20.8 dB)
- D. INSERTION LOSS: <0.3 dB TO <0.7 dB@ DC-3 GHZ
- E. D.W.V: 1000 VRMS, MIN.

3. MECHANICAL:

- A. DURABILITY: 500 CYCLES MIN.
- B. TEMPERATURE RANGE: -65°C to +165°C

4. CRIMPED FERRULE HEX CRIMP SIZE .255"

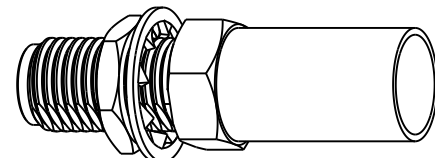
5. CONTACT PIN TO SOLDER

6. MAX. PANEL THICKNESS = 3.2 MM

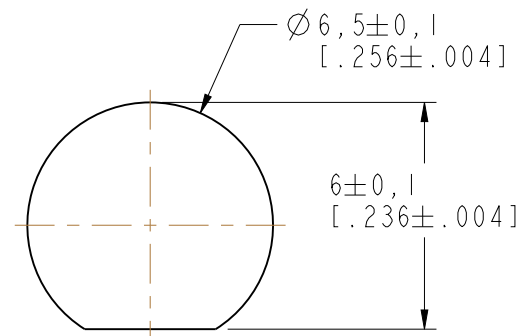
THIRD ANGLE PROJ.

REVISIONS

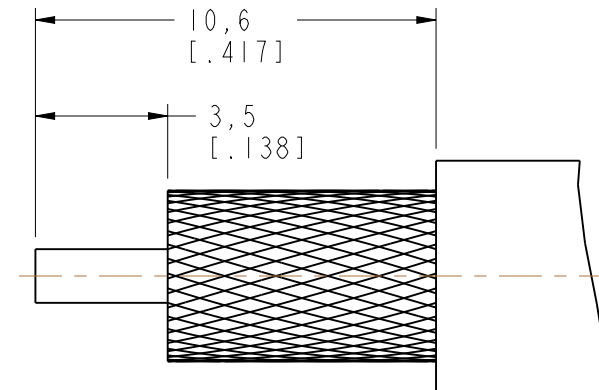
REV	DESCRIPTION	DATE	ECO	APPR
A	RELEASE TO MFG.	16-Dec-14	2888	BCG



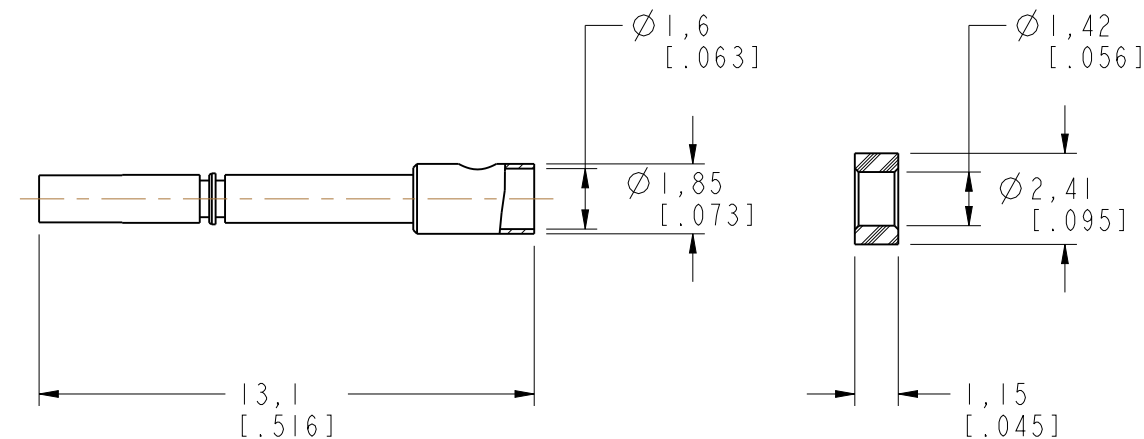
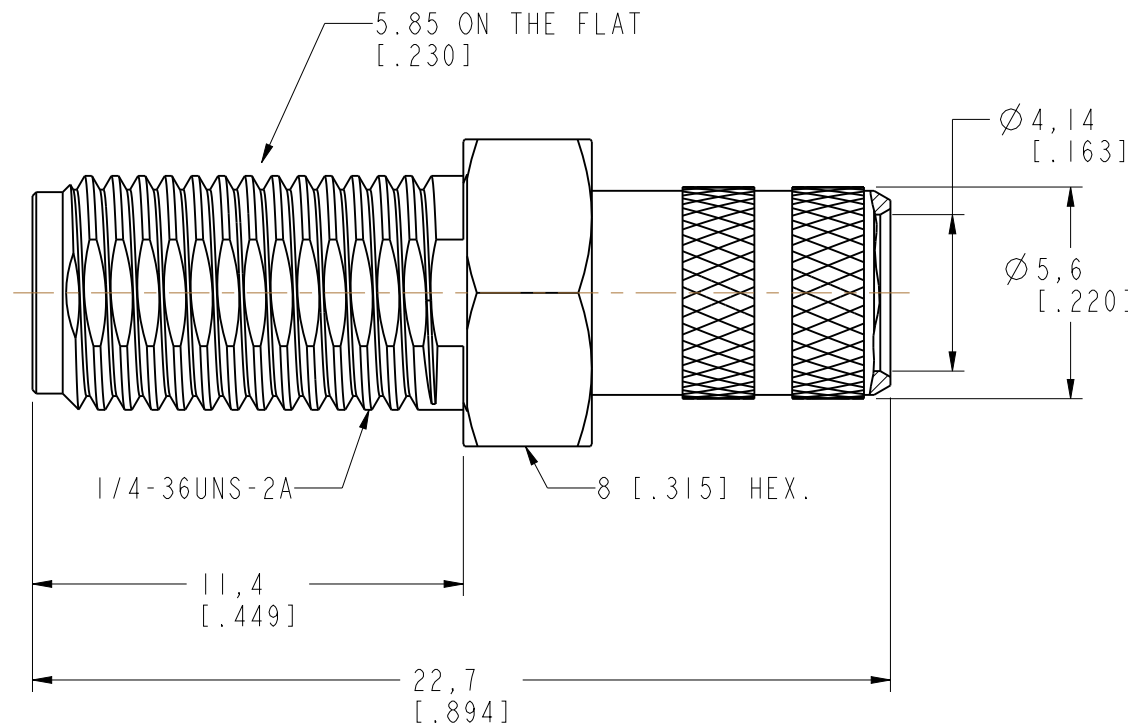
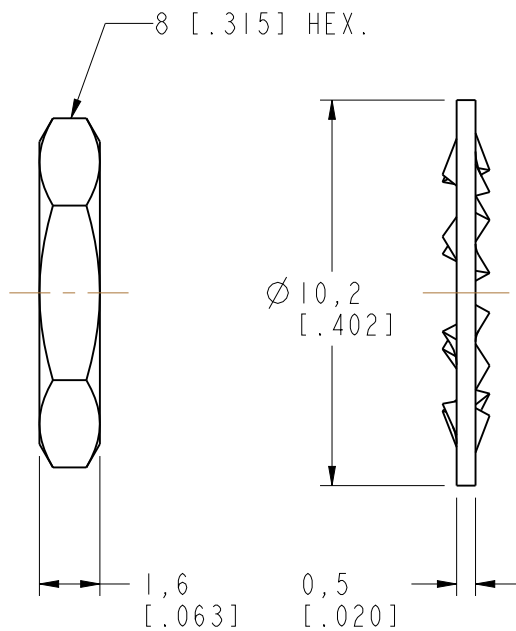
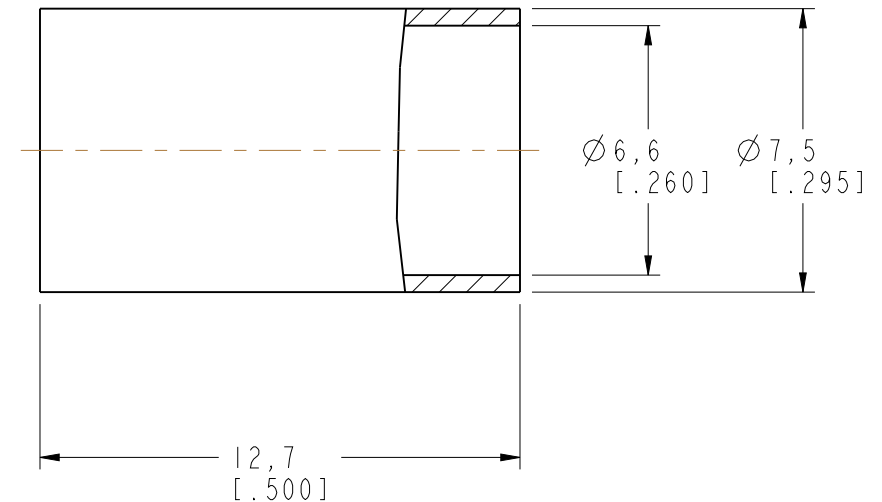
SCALE 2.000



RECOMMENDED MOUNTING HOLE



RECOMMENDED CABLE STRIPPING DIM'S



CUSTOMER OUTLINE DRAWING

ALL OTHER SHEETS ARE FOR INTERNAL USE ONLY

UNLESS OTHERWISE SPECIFIED, DIMENSIONS ARE IN METRIC AND TOLERANCES ARE:
 <0.5mm ± 0.05mm 0.5 - 6mm ± 0.1mm 6 - 30mm ± 0.2mm 30 - 120mm ± 0.3mm ANGLES ± 1°

NOTICE - These drawings, specifications, or other data (1) are, and remain the property of Amphenol corp. (2) must be returned upon request; and (3) are confidential and not to be disclosed to any person other than those to whom they are given by Amphenol Corp. the furnishing of these drawings, specifications, or other data by Amphenol Corp., or to any other person to anyone for any purpose is not to be regarded by implication or otherwise in any manner licensing, granting rights to permitting such holder or any other person to manufacture, use or sell any product, process or design, patented or otherwise, that may in any way be related to or disclosed by said drawings, specifications, or other data.

MATERIAL	DRAWN L.QIN	DATE 16-Dec-14	TITLE SMA BULKHEAD CRIMP JACK (FOR LMR-240)		Amphenol Connex
REFERENCE SMA6411A1-3GT5GP-LMR240-50	ENGINEER M.ZHANG	DATE 16-Dec-14	SCALE: 5.0:1.0 SHEET 3 OF 3		
CONFIGURATION LEVEL: In Work	APPROVED B.C. GLEISSNER	DATE 27-Mar-15	DWG SIZE B	REV A	DRAWING NO.
FINISH	CAD FILE				ITEM NO.
					PART NO. 132453

X-ON Electronics

Largest Supplier of Electrical and Electronic Components

Click to view similar products for [RF Connectors / Coaxial Connectors](#) category:

Click to view products by [Amphenol](#) manufacturer:

Other Similar products are found below :

[8915-1511-000](#) [89674-0827](#) [6001-7071-019](#) [6002-7051-003](#) [6002-7551-202](#) [6059674-1](#) [619550-1](#) [630059-000](#) [M39030/3-01N](#) [M3933/25-36N](#) [6500-7071-046](#) [6769](#) [CX050L2AQ](#) [7002-1542-011](#) [7004-1512-000](#) [7009-1511-004](#) [7010-1511-000](#) [7029-1511-060](#) [7101-1541-010](#) [7101-1571-002](#) [7105-1521-002](#) [7145-1521-002](#) [7203-1571-003](#) [7209-1511-011](#) [7210-1511-015](#) [7210-1511-019](#) [73137-5015](#) [73216-2241](#) [7325-1512-000](#) [73404-2300](#) [7405-1521-005](#) [7405-1521-802](#) [7406-1521-005](#) [8527](#) [8547](#) [FS11V](#) [8808-1511-001](#) [9049-9513-000](#) [9074-9513-000](#) [9101-9573-002](#) [910A205F](#) [9130-9573-002](#) [PL11SC-026](#) [PL375-33](#) [PL40-5](#) [PL71-9](#) [PL74C-221](#) [PL75MC-217](#) [PL803-7](#) [980-8666-005](#)