



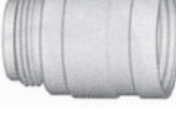



Amphenol




Circular Interconnects

ECTA 133 Metal Circular Push-Pull IP67 Connector System Accessories

Backshell IP67				IP67 Backshell			
	Part Number	Shell	Cable Ø (mm)		Part Number	Shell	Cable Ø (mm)
	1330 0 P2	0	4.5-6		1330 1 P3	1	9-12.5
	1330 1 P1	1	5-6.5		1330 2 P3	2	11.5-14.5
	1330 1 P2	1	6.5-9		1330 3 P2	3	12.5-15
	1330 2 P1	2	8-10		1330 3 P3	3	15-18
	1330 2 P2	2	10-13.5		1330 4 P1	4	15-18
1330 3 P1	3	10.5-12.5	1330 4 P2	4	18-21		
Backshell IP67 with Braid Clamping and Cable Clamp				Backshell IP67 with Braid Clamping			
	Part Number	Shell	Cable Ø (mm)		Part Number	Shell	Cable Ø (mm)
	1330 1 PES 1	1	5.5-9		1330 0 PEM	0	2.5-5
	1330 1 PES 2	1	9-12		1330 1 PEM	1	8-13
	1330 2 PES 1	2	5.5-9		1330 2 PEM	2	8-13
	1330 2 PES 2	2	9-12		1330 3 PEM	3	13-18
	1330 3 PES 1	3	10-18		1330 4 PEM	4	13-18
1330 4 PES 1	4	10-18					
Adapter with Metric Thread				Backshell IP30 with Cable Clamp			
	Part Number	Shell	Thread		Part Number	Shell	Cable Ø (mm)
	1330 0 PM 12	0	M12 x 1,5		1330 1 DS 1	1	2-6
	1330 1 PM 16	1	M16 x 1,5		1330 1 DS 2	1	7-10
	1330 1 PM 20	1	M20 x 1,5		1330 1 DS 3	1	10-13
	1330 2 PM 16	2	M16 x 1,5		1330 2 DS 2	2	10.5-14
	1330 2 PM 20	2	M20 x 1,5		1330 2 DS 3	2	14-17.5
	1330 3 PM 20	3	M20 x 1,5		1330 3 DS 1	3	12.5-14.5
	1330 3 PM 25	3	M25 x 1,5		1330 3 DS 2	3	14.5-18
	1330 4 PM 20	4	M20 x 1,5		1330 4 DS 0	4	11.75-15.5
	1330 4 PM 25	4	M25 x 1,5		1330 4 DS 1	4	15.5-18
	1330 5 PM 25	5	M25 x 1,5		1330 4 DS 2	4	18-21.5
1330 6 PM 32	6	M32 x 1,5					
1330 7 PM 50	7	M50 x 1,5					

The PM Adapter is designed for use on any standard backshell with metric thread (to IP67)

Also available: 90° Adapter for plug and cable-cable plug extension

Metal Cap for All Receptacles (IP67)			Metal Cap for Plug (IP67)			Flange Seal		
	Part Number	Shell		Part Number	Shell		Part Number	Shell
	1330 0 BE	0		1330 0 BM	0			
	1330 1 BE	1		1330 1 BM	1			
	1330 2 BE	2		1330 2 BM	2			
	1330 3 BE	3		1330 3 BM	3			
	1330 4 BE	4		1330 4 BM	4			
1330 5 BE	5	1330 5 BM	5					
				1330 0 JE	0			
				1330 1 JE	1			
				1330 2 JE	2			
				1330 3 JE	3			
				1330 4 JE	4			
				1330 5 JE	5			
				1330 6 JE	6			
				1330 7 JE	7			

Also available upon request, a single hole fixing bulkhead with pressure differentials up to 5 bars. The technical characteristics are identical to those of standard connectors.

SOCAPEX™ SL61 19 Contact Lighting Connectors

Amphenol's SOCAPEX connector is accepted as a worldwide standard in the Lighting Industry

Materials

- Body - Aluminium Alloy
- Inserts - Alkyde
- Contacts - Machined Gold Plated

Electrical





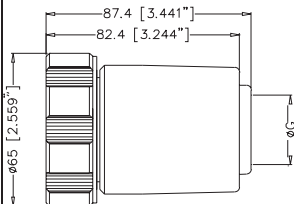
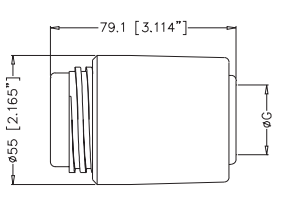
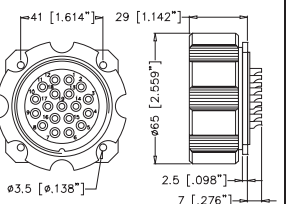
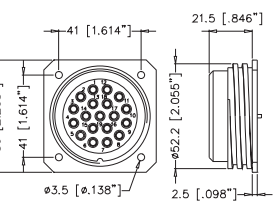
- Working Voltage - 400V
- Current - 25A

Configuration

- Number of Contacts - 19
- Coupling Nut - Threaded
- Backshell - Two Piece
- Cable Clamp - Adaptable
- Termination - Solder
- Temperature Range - -40°C ~ 85°C

Also Available

- Right Angle Versions
- Various Shell Sizes and Contacts
- Cap Accessories
- Crimp Versions
- Earth Protection
- Cadmium-Free Versions

Part Number	SLFMD419AR	SLFFDR419AR	SLEME419AR	SLEF419AR
Description	Cable Pin Plug	In-Line Socket Receptacle	Panel Pin Plug	Panel Socket Receptacle
Representation				
Diagram				

X-ON Electronics

Largest Supplier of Electrical and Electronic Components

Click to view similar products for [Circular MIL Spec Backshells](#) category:

Click to view products by [Amphenol](#) manufacturer:

Other Similar products are found below :

[60-036152-022](#) [610HS012M15](#) [M28840/504WA](#) [M28840/805WB](#) [M28840/809WA](#) [M28840/815WA](#) [M28840/816WA](#) [627AS017M14](#)
[627MA124M14S](#) [655HS002NF11](#) [CW3899-000](#) [M85049/10-134S](#) [M85049/10-17S](#) [M85049/10-33S](#) [M85049/10-94W](#) [M85049/11-28N](#)
[M85049/11-37N](#) [M85049/11-53N](#) [M85049/11-63N](#) [M85049/124-23W](#) [M85049/1720N04B](#) [M85049/1821W05C](#) [M85049/1825W06C](#)
[M85049/1919N05](#) [M85049/23-74W](#) [M85049/24-71N](#) [M85049/25-47N](#) [M85049/25-94W](#) [M85049/27S12N](#) [M85049/39-11S](#) [M85049/39-17S](#)
[M85049/39-9S](#) [M85049/6-10B](#) [M85049/6-19N](#) [M85049/6-20B](#) [M85049/77-20W04](#) [M85049/78-11N03](#) [M85049/78-15W02](#) [M85049/78-](#)
[17N04](#) [M85049/78-19N05](#) [M85049/79-19N07](#) [M85049/79-25N04](#) [M85049/82-18N02](#) [M85049/82-22P02](#) [M85049/83-10W03](#) [M85049/84-](#)
[20N03](#) [M85049/8-48N](#) [M85049/85-24N01](#) [M85049/85-24P01](#) [M85049/86-16P03](#)