

TABLE 1: WITH LOSSY OPTION					
PART NUMBER	DESCRIPTION	A	B	C	N
IC13416011	RECEPTACLE ASSEMBLY, 12 POSITION, REGULAR, LOSSY	19.21	16.21	7.20	12
IC13416013	RECEPTACLE ASSEMBLY, 12 POSITION, SHORT, LOSSY	15.85	13.63	7.20	12
IC13416021	RECEPTACLE ASSEMBLY, 20 POSITION, REGULAR, LOSSY	23.41	26.41	14.40	20
IC13416023	RECEPTACLE ASSEMBLY, 20 POSITION, SHORT, LOSSY	20.83	23.12	14.40	20
IC13416041	RECEPTACLE ASSEMBLY, 40 POSITION, REGULAR, LOSSY	41.41	44.41	32.40	40
IC13416043	RECEPTACLE ASSEMBLY, 40 POSITION, SHORT, LOSSY	38.83	41.12	32.40	40
IC13416061	RECEPTACLE ASSEMBLY, 60 POSITION, REGULAR, LOSSY	59.41	62.41	50.40	60
IC13416063	RECEPTACLE ASSEMBLY, 60 POSITION, SHORT, LOSSY	56.83	59.12	50.40	60
IC13416081	RECEPTACLE ASSEMBLY, 80 POSITION, REGULAR, LOSSY	77.41	80.41	68.40	80
IC13416083	RECEPTACLE ASSEMBLY, 80 POSITION, SHORT, LOSSY	74.83	77.12	68.40	80

TABLE 2: WITHOUT LOSSY OPTION					
PART NUMBER	DESCRIPTION	A	B	C	N
IC13416012	RECEPTACLE ASSEMBLY, 12 POSITION, REGULAR, NO LOSSY	19.21	16.21	7.20	12
IC13416014	RECEPTACLE ASSEMBLY, 12 POSITION, SHORT, NO LOSSY	15.85	13.63	7.20	12
IC13416022	RECEPTACLE ASSEMBLY, 20 POSITION, REGULAR, NO LOSSY	23.41	26.41	14.40	20
IC13416024	RECEPTACLE ASSEMBLY, 20 POSITION, SHORT, NO LOSSY	20.83	23.12	14.40	20
IC13416042	RECEPTACLE ASSEMBLY, 40 POSITION, REGULAR, NO LOSSY	41.41	44.41	32.40	40
IC13416044	RECEPTACLE ASSEMBLY, 40 POSITION, SHORT, NO LOSSY	38.83	41.12	32.40	40
IC13416062	RECEPTACLE ASSEMBLY, 60 POSITION, REGULAR, NO LOSSY	59.41	62.41	50.40	60
IC13416064	RECEPTACLE ASSEMBLY, 60 POSITION, SHORT, NO LOSSY	56.83	59.12	50.40	60
IC13416082	RECEPTACLE ASSEMBLY, 80 POSITION, REGULAR, NO LOSSY	77.41	80.41	68.40	80
IC13416084	RECEPTACLE ASSEMBLY, 80 POSITION, SHORT, NO LOSSY	74.83	77.12	68.40	80

REVISION HISTORY						
ZONE	ECN#	REV	DESCRIPTION	DATE	CHANGED BY	APPROVED
SH2	EC-13407	D	ADDED CLIP WIDTH DIMENSION	02/03/2020	M.CHARETH	D.McNAMARA

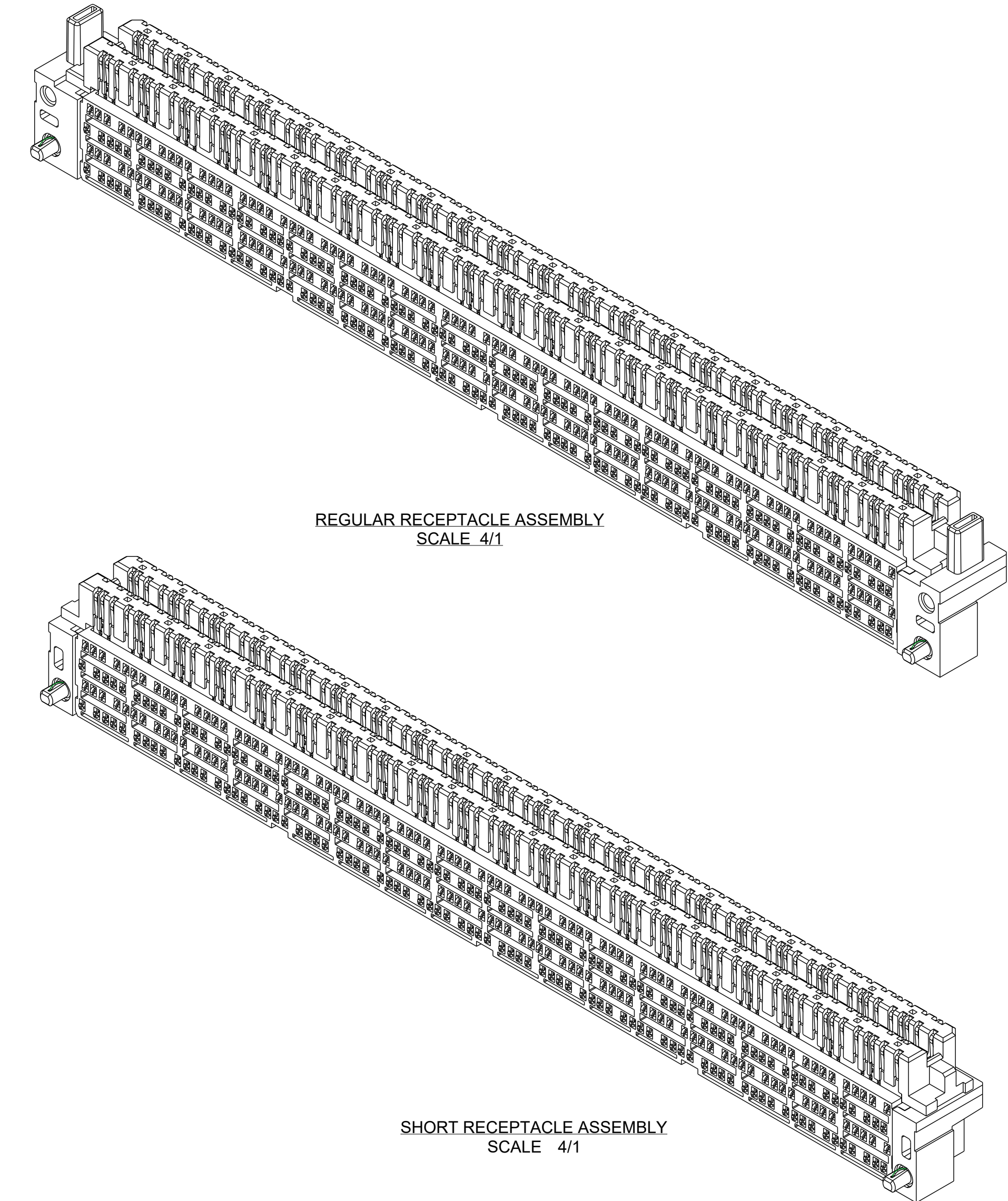
IC13416-0X X

POSITION

ASSEMBLY TYPE

- 1 = 12
- 2 = 20
- 4 = 40
- 6 = 60
- 8 = 80

- 1 = REGULAR (WITH GUIDE PINS) & LOSSY
- 2 = REGULAR (WITH GUIDE PINS) & NO LOSSY
- 3 = SHORT (WITHOUT GUIDE PINS) & LOSSY
- 4 = SHORT (WITHOUT GUIDE PINS) & NO LOSSY



NOTES:

1. MATERIAL
HOUSING: HIGH TEMPERATURE LCP, COLOR: BLACK
CONTACT: COPPER ALLOY, THICKNESS: 0.12mm
CONTACT PLATING: UNDERPLATE WITH NICKEL, THICKNESS: 1.27 MICROMETER
HARD GOLD IN MATING AREA, THICKNESS: 0.76 MICROMETER
PURE MATTE TIN ON CONTACT TAIL, THICKNESS, 2.54 TO 7.62mm MICROMETER
2. PLEASE REFER TO PRODUCT SPECIFICATION FOR MECHANICAL AND ELECTRICAL SPECIFICATION.
3. DATUM B IS DEFINED AS THE PLANE INTERSECTING THE $\varnothing 1.10\text{MM}$ POST AND PARALLEL TO DATUM A
4. DATUM C IS DEFINED AS THE PLANE INTERSECTING THE $\varnothing 1.10\text{MM}$ POST AND PERPENDICULAR TO DATUM B.
5. THIS DIMENSION IS MEASURED (FOR EACH SOLDER LEAD) AS THE DEVIATION FROM A BEST-FIT PLANE CREATED FROM THE SURFACES REFERENCED AT THE ENDS OF THE PART.
6. THIS DIMENSION IS MEASURED (FOR EACH SOLDER LEAD) AS THE DEVIATION FROM A BEST-FIT PLANE CREATED FROM ALL THE SOLDER LEADS.
7. THE RETENTION CLIP IS TO PROVIDE SUPPORT FOR THE CONNECTOR BEFORE AND DURING REFLOW

DO NOT SCALE DRAWING
UNLESS OTHERWISE SPECIFIED
DIMENSIONS & TOLERANCES ARE
MILLIMETERS
DIMENSIONING PER ASME Y14.5M-2009
TOLERANCES UNLESS SPECIFIED

0.0 = ± 0.15
0.00 = ± 0.05
0.000 = ± .
ANGLES = ± .°

INSPECTION DIMENSION
(REFERENCE DIMENSION)

THIRD ANGLE PROJECTION

APPROVALS		DATE
DRAWN BY:	HCL-PV	11/15/2018
CHKD BY:	M.CHARETH	11/15/2018
DESIGNED BY/PROJ. ENG.:	D.McNAMARA	09/21/2018
PROCESS ENGINEERING:	M.CHARETH	11/15/2018

THESE DRAWINGS AND SPECIFICATIONS ARE THE PROPERTY OF AMPHENOL CORPORATION (AMPHENOL INTERCON - A DIVISION OF AMPHENOL CORPORATION) AND SHALL NOT BE REPRODUCED, COPIED OR USED AS THE BASIS FOR THE MANUFACTURE OR SALE OF APPARATUS WITHOUT THE WRITTEN PERMISSION OF AMPHENOL CORPORATION.

Amphenol InterCon Systems

AMPHENOL INTERCON SYSTEMS INC.
825 OLD TRAIL RD, SUITE A
ETTERS, PA 17319
(717) 915-1400

TITLE:
**LYNX QD RECEPTACLE ASSEMBLY
RIGHT ANGLE**

SIZE	DRAWING NO.	REV
D	13416C	D

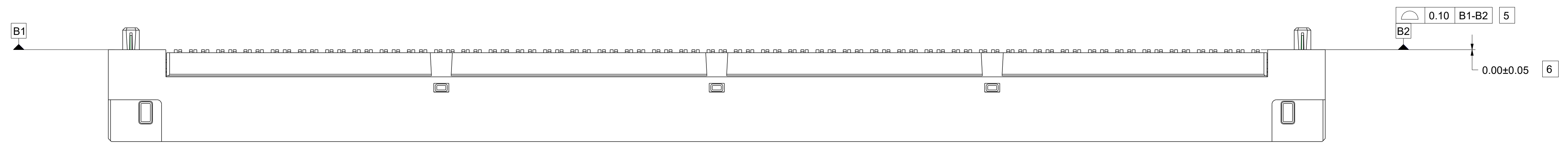
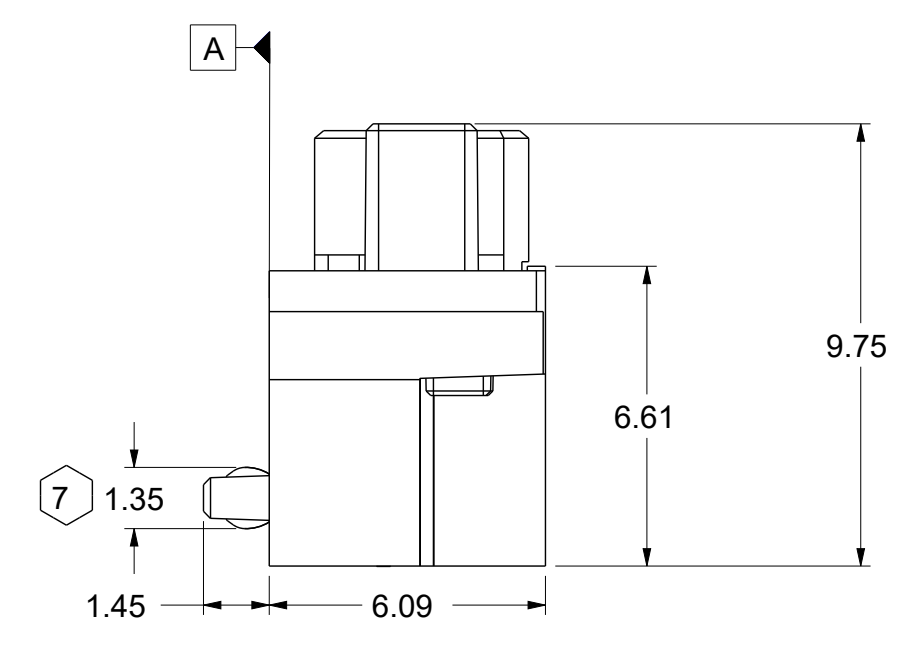
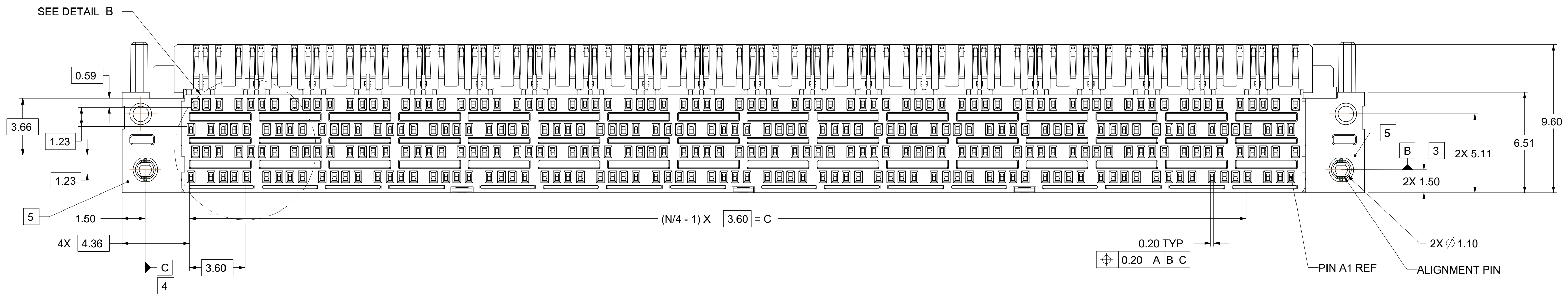
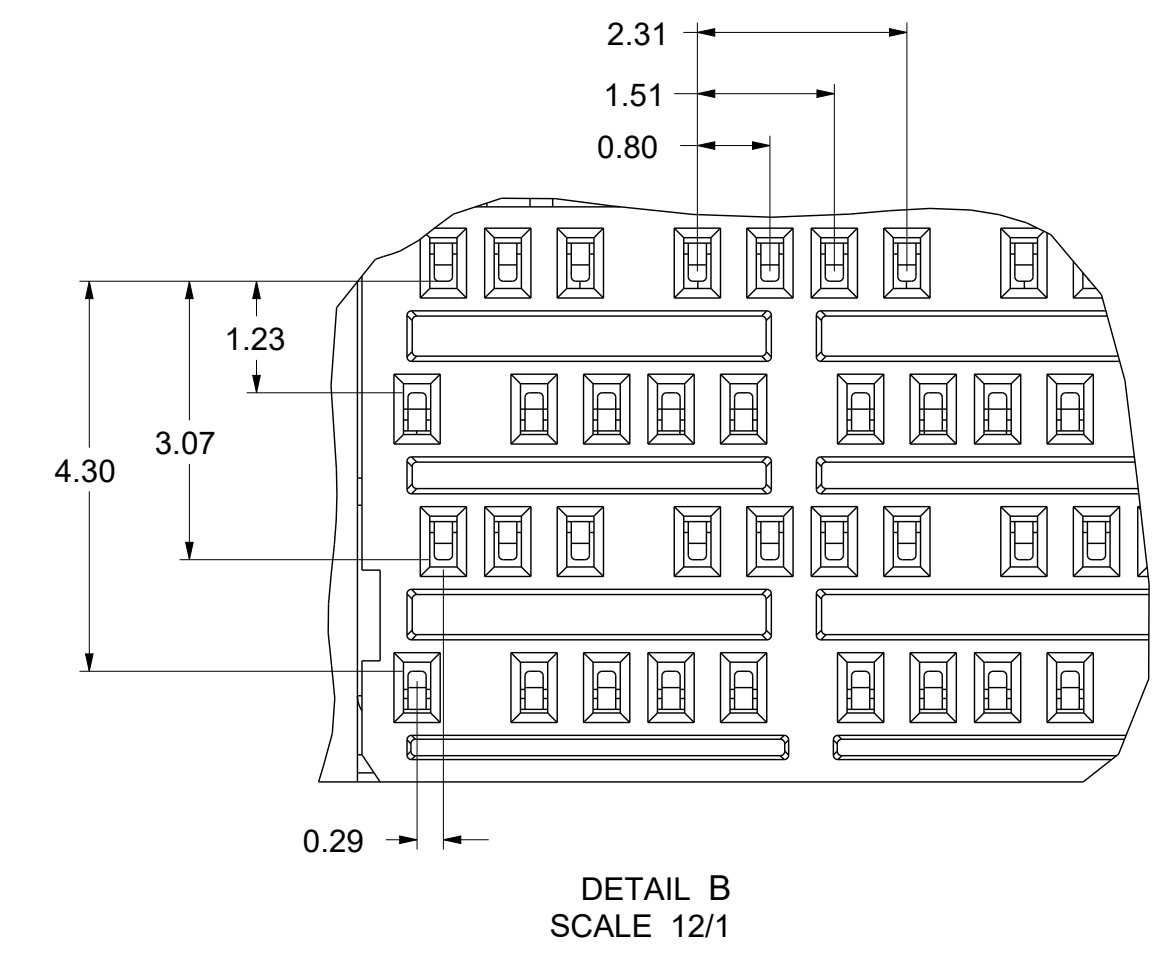
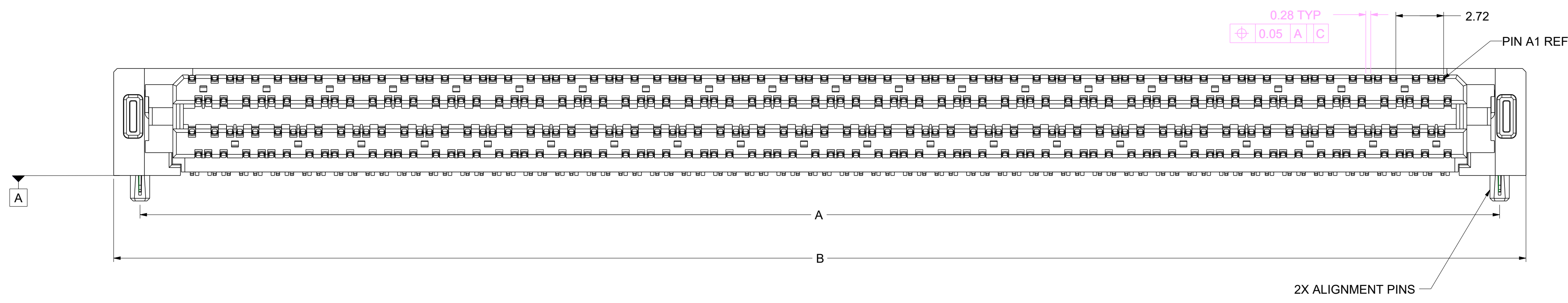
SCALE: 3/1 DWG TYPE: CUSTOMER USE SHEET: 1 OF 5



8 7 6 5 4 3 2 1

D

D



A

A

REGULAR RECEPTACLE ASSEMBLY

Amphenol
 InterCon Systems
 AMPHENOL INTERCON SYSTEMS INC.
 825 OLD TRAIL RD, SUITE A
 ETTERS, PA 17319
 (717) 915-1400

THESE DRAWINGS AND SPECIFICATIONS ARE THE PROPERTY OF AMPHENOL CORPORATION (AMPHENOL INTERCON - A DIVISION OF AMPHENOL CORPORATION) AND SHALL NOT BE REPRODUCED, COPIED OR USED AS THE BASIS FOR THE MANUFACTURE OR SALE OF APPARATUS WITHOUT THE WRITTEN PERMISSION OF AMPHENOL CORPORATION.

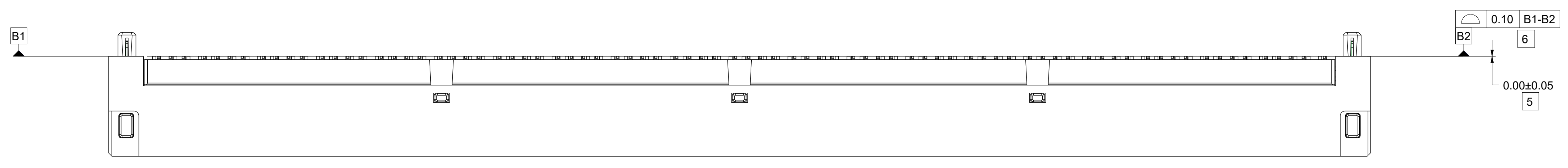
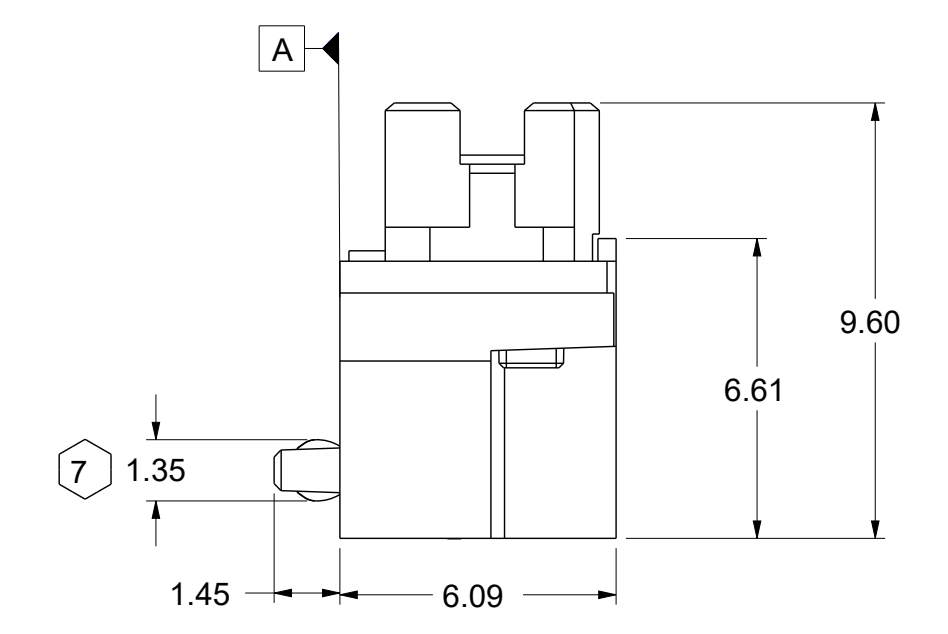
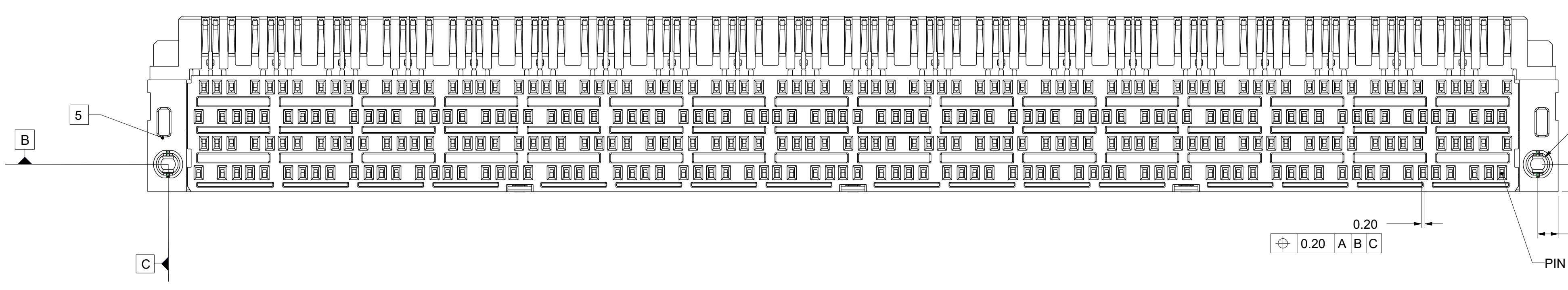
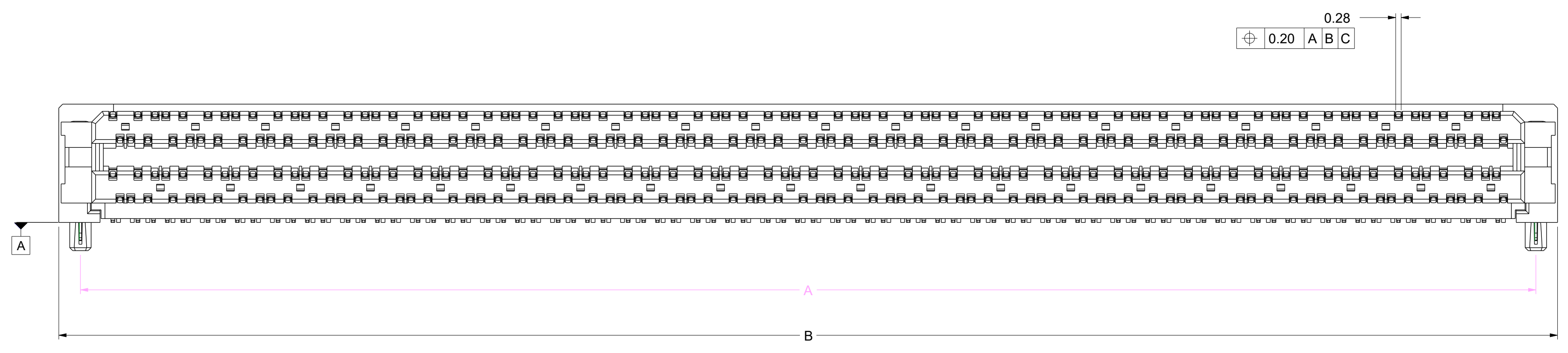
SIZE	DRAWING NO.	REV
D	13416C	D
SCALE: 3/1	DWG TYPE: XXX ??? XXX	SHEET: 2 OF 5

8 7 6 5 4 3 2 1

8 7 6 5 4 3 2 1

D
C
B
A

D
C
B
A



SHORT RECEPTACLE ASSEMBLY

NOTE:
OTHER DIMENSION AND FEATURES WILL REMAIN SAME AS REGULAR RECEPTACLE ASSEMBLY.

THESE DRAWINGS AND SPECIFICATIONS ARE THE PROPERTY OF AMPHENOL CORPORATION (AMPHENOL INTERCON - A DIVISION OF AMPHENOL CORPORATION) AND SHALL NOT BE REPRODUCED, COPIED OR USED AS THE BASIS FOR THE MANUFACTURE OR SALE OF APPARATUS WITHOUT THE WRITTEN PERMISSION OF AMPHENOL CORPORATION.

Amphenol
 InterCon
 Systems

AMPHENOL INTERCON SYSTEMS INC.
 825 OLD TRAIL RD, SUITE A
 ETTERS, PA 17319
 (717) 915-1400

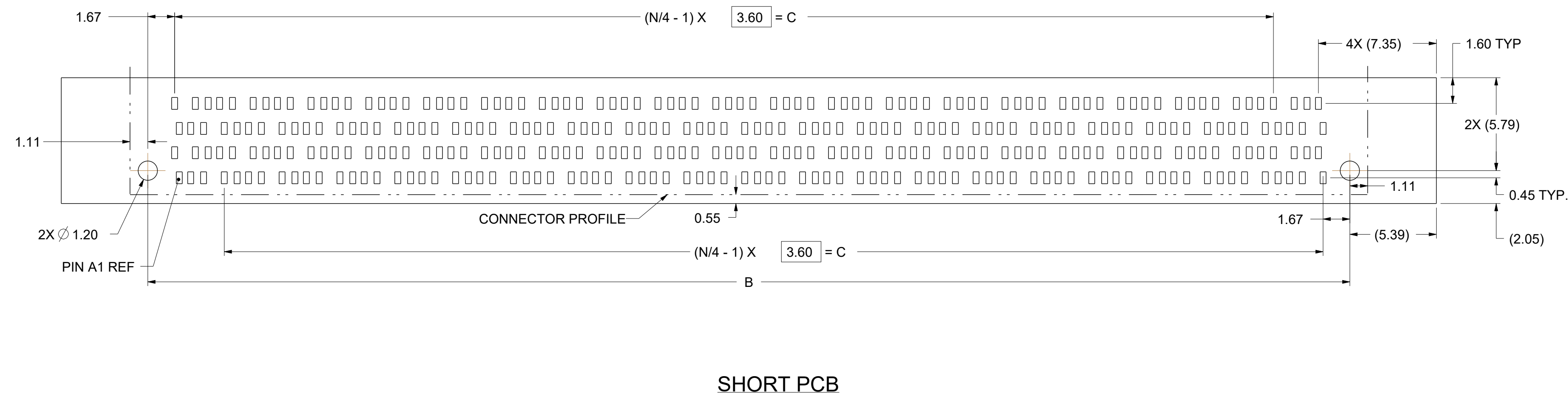
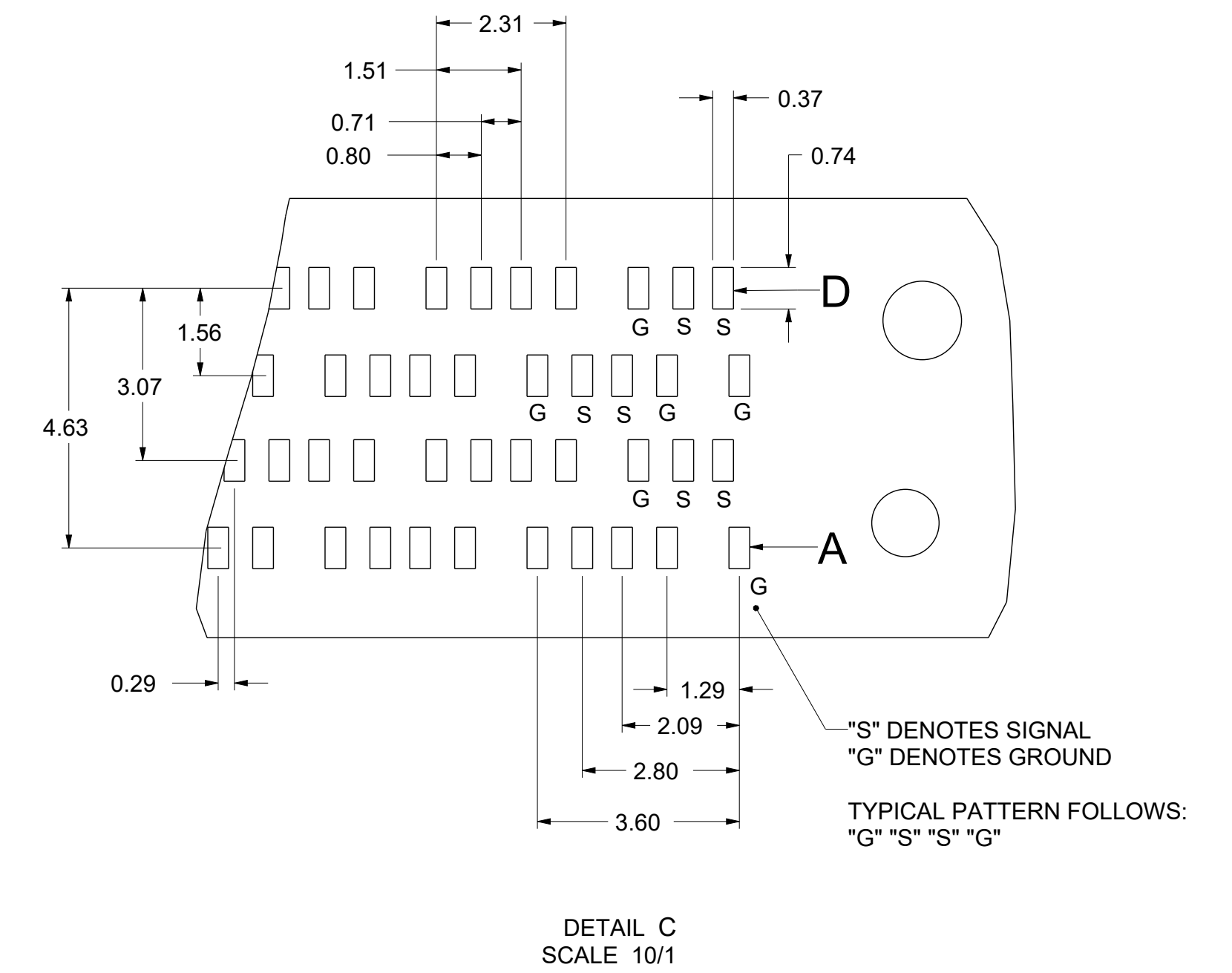
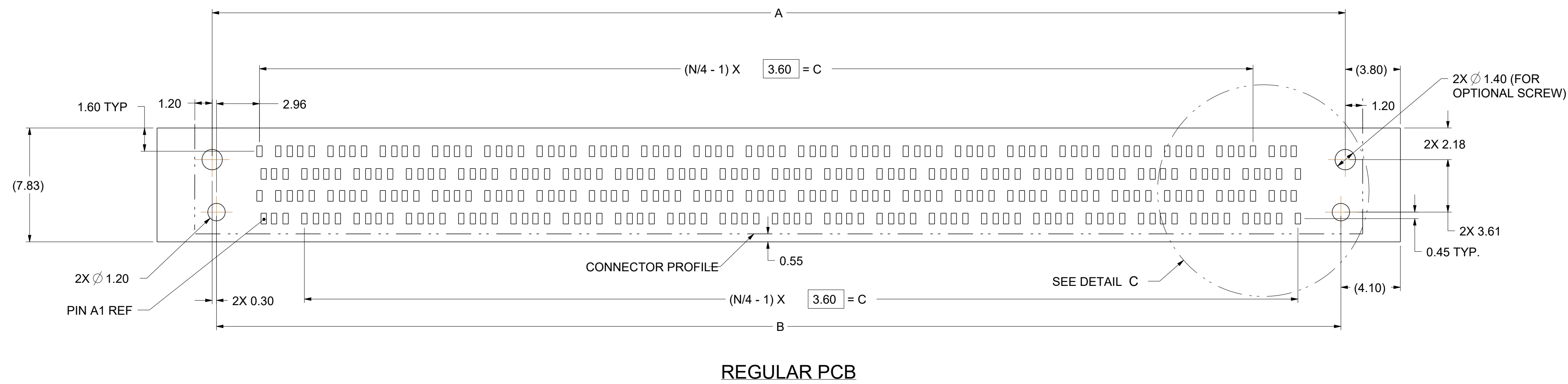
SIZE	DRAWING NO.	REV
D	13416C	D
SCALE: 3/1	DWG TYPE: CUSTOMER USE	SHEET: 3 OF 5

8 7 6 5 4 3 2 1

TABLE: 3 REGULAR PCB				
PART NUMBER	N	A	B	C
IC1341601(1,2)	12	16.81	16.21	7.20
IC1341602(1,2)	20	24.01	23.41	14.40
IC1341604(1,2)	40	42.01	41.41	32.40
IC1341606(1,2)	60	60.01	59.41	50.40
IC1341608(1,2)	80	78.01	77.41	68.40

TABLE: 4 SHORT PCB				
PART NUMBER	N	B	C	
IC1341601(3,4)	12	13.63	7.20	
IC1341602(3,4)	20	20.83	14.40	
IC1341604(3,4)	40	36.83	32.40	
IC1341606(3,4)	60	52.83	50.40	
IC1341608(3,4)	80	74.83	68.40	

LYNX QD PINOUT - PATTERN REPEATS - 12pos SHOWN					
	A	B	C	D	
1	SIG	GND	SIG	GND	1
2	SIG		SIG		SIG
3	GND	SIG	GND	SIG	3
4		SIG		SIG	4
5	SIG	GND	SIG	GND	5
6	SIG		SIG		SIG
7	GND	SIG	GND	SIG	7
8		SIG		SIG	SIG
9	SIG	GND	SIG	GND	9
10	SIG		SIG		SIG
11	GND	SIG	GND	SIG	11
12		SIG		SIG	SIG
	A	B	C	D	

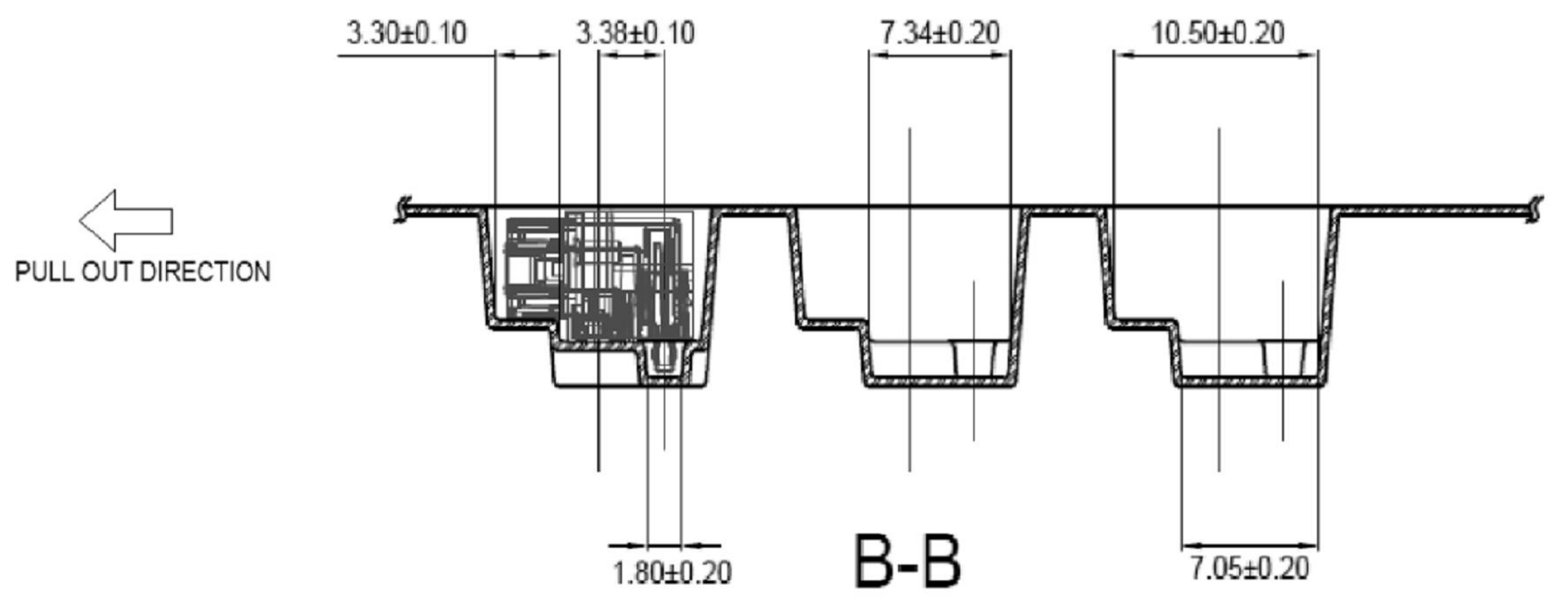
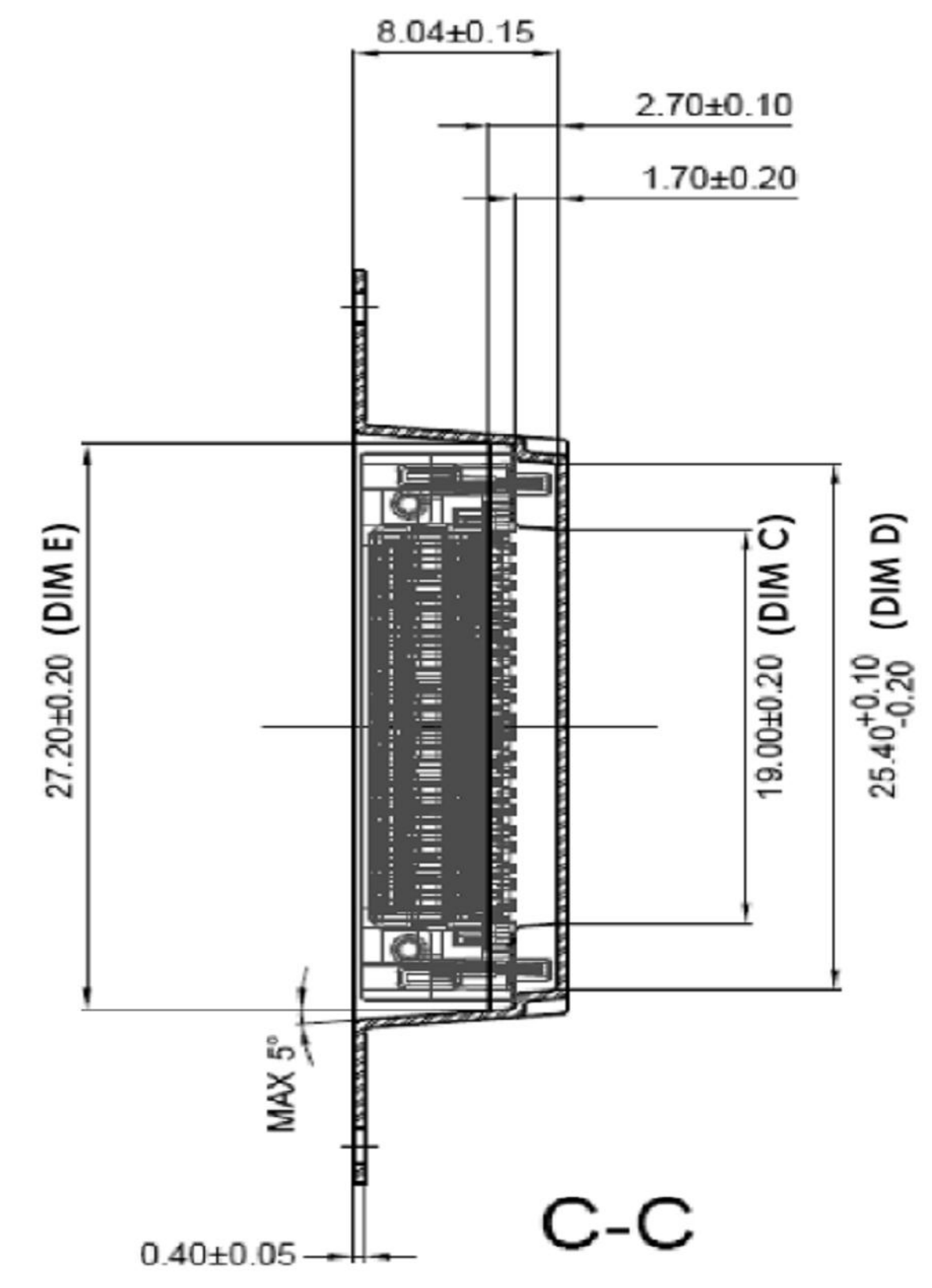
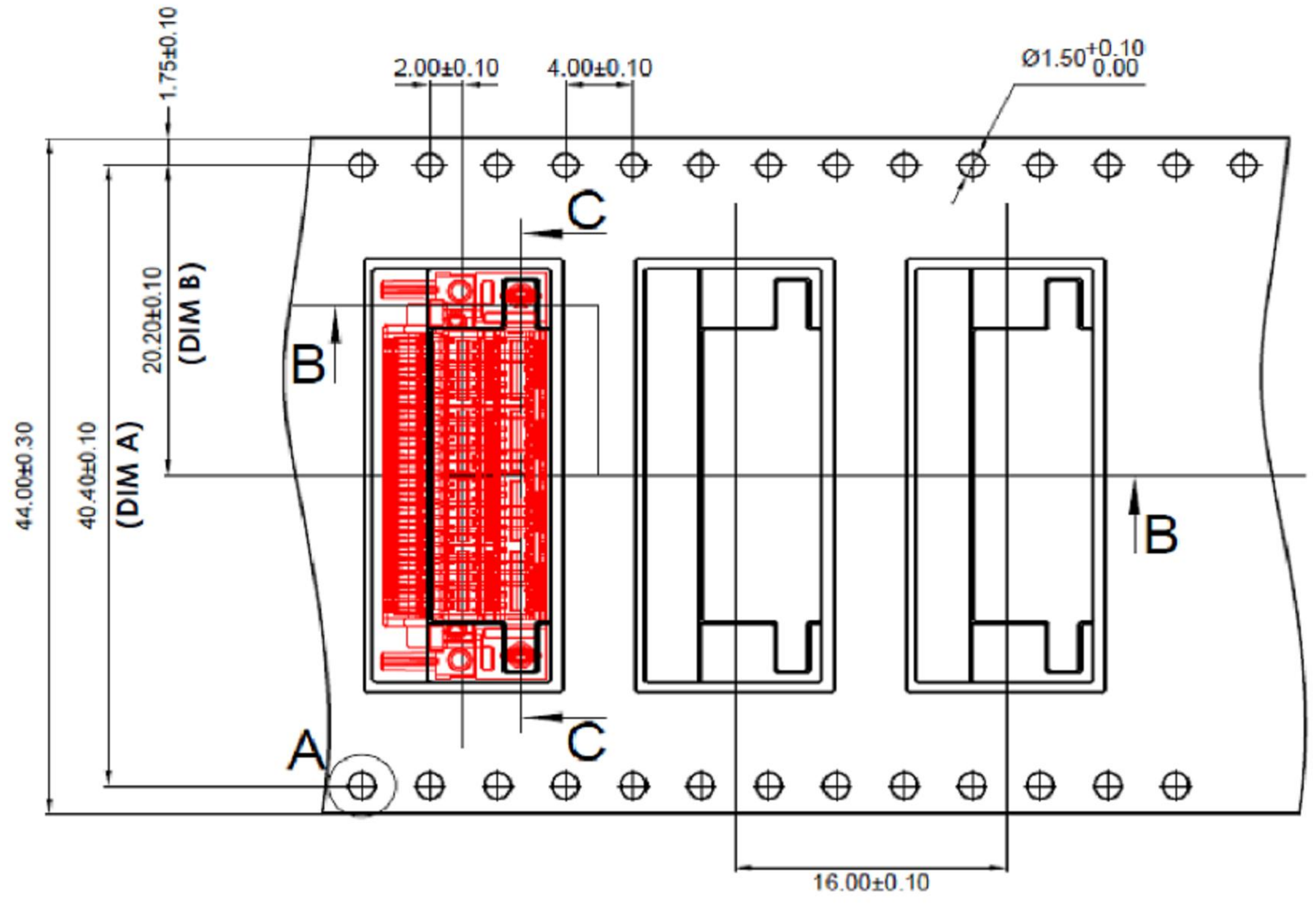


OTHER DIMENSION AND FEATURES WILL REMAIN SAME AS REGULAR PCB.

TABLE 5: TAPE AND REEL DIMENSION TABLE

POSITION	TAPE WIDTH	CONNECTORS PER REEL	DIM A	DIM B	DIM C	DIM D	DIM E
12	32	650	28.40	14.20	12.40	18.50	19.85
12 - SHORT	32	650	28.40	14.20	12.40	15.90	16.30
20	44	650	40.40	20.20	19.00	25.40	27.20
20 - SHORT	44	650	40.40	20.20	19.00	22.82	23.84
40	72	650	68.40	34.20	37.00	43.40	45.20
40 - SHORT	72	650	68.40	34.20	37.00	40.82	41.84
60	88	350	84.40	42.20	55.00	61.40	63.20
60 - SHORT	88	350	84.40	42.20	55.00	58.82	59.84
80	104	350	100.40	50.20	73.00	79.40	81.20
80 - SHORT	104	350	100.40	50.20	73.00	76.82	77.84

RA RECEPTACLE CARRIER TAPE FOR 20 POSITION IS SHOWN FOR REFERENCE



Amphenol
InterCon Systems
AMPHENOL INTERCON SYSTEMS INC.
825 OLD TRAIL RD, SUITE A
ETTERS, PA 17319
(717) 915-1400

SIZE	DRAWING NO.	REV
D	13416C	D
SCALE: 3/1	DWG TYPE: CUSTOMER USE	SHEET: 5 OF 5

X-ON Electronics

Largest Supplier of Electrical and Electronic Components

Click to view similar products for [Board to Board & Mezzanine Connectors](#) category:

Click to view products by [Amphenol](#) manufacturer:

Other Similar products are found below :

[589158040000018](#) [MDF7C-18P-2.54DSA\(55\)](#) [FCN-230C068-11](#) [FCN-268F012-G/BD](#) [FCN-268F036-G/BD](#) [FCN-268M012-G/0D](#) [FCN-268M024-G/1D](#) [FCN-723J004/1](#) [MIS-048-01-F-D-DP-K](#) [832-10-034-10-001000](#) [FX4C-80S-1.27DSA](#) [FCN-214Q030-G/0](#) [FCN-234P048-G/0](#) [FCN-235D050-G/C](#) [210-93-314-41-105000](#) [2-22603-0](#) [MDF7-40DP-2.54DSA\(55\)](#) [AXG720047](#) [MIT-114-03-F-D-K](#) [55323-1519](#) [DF33-2P-3.3DSA\(24\)](#) [YFT-20-05-H-03-SB-K](#) [503308-3040](#) [026-6203-PDB](#) [027-6203-PDB](#) [069159702701000](#) [10123981-102LF](#) [101A10019X](#) [55650-0588-C](#) [68682-310LF](#) [68684-306](#) [75140-7012](#) [87471-650](#) [YTW-30-07-H-Q-410-140](#) [FCN-268F024-G0D](#) [10124054-515LF](#) [68685-603](#) [8-1616154-3](#) [MIS-019-01-F-D](#) [FCN-268M024-G/3D](#) [FCN-268M036-G/BD](#) [20021832-06016C1LF](#) [KX15-20KLDL-E1000E](#) [AXE810124](#) [FCN-214J100-G/0](#) [FCN-230C068-E/S](#) [AXE812124](#) [AXE816124](#) [AXE720127](#) [354184](#)