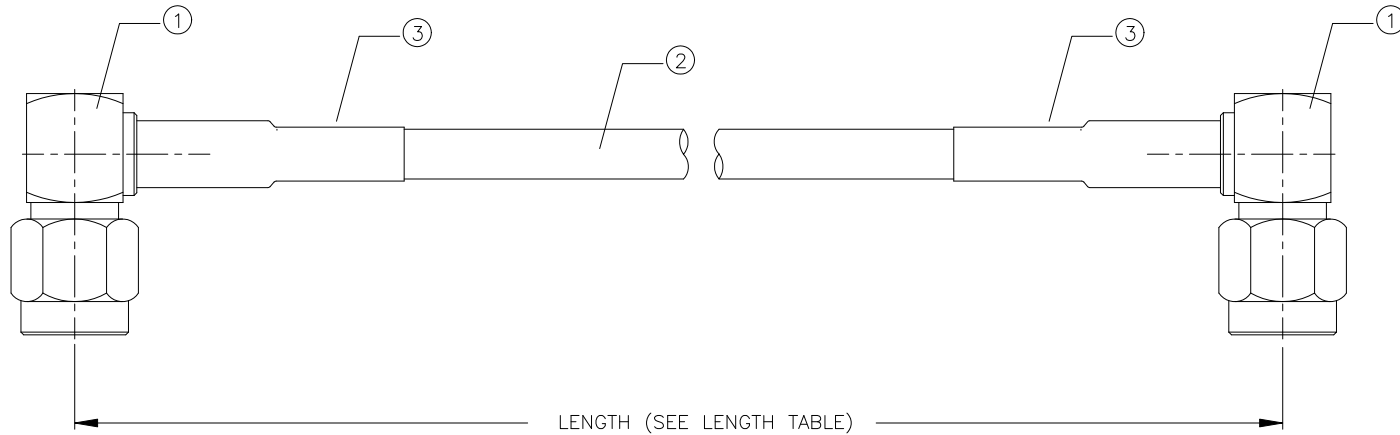


| REV. | DATE     | ECR NO. | DESCRIPTION     |
|------|----------|---------|-----------------|
| NC   | 02/03/09 | -       | INITIAL RELEASE |



| LENGTH TABLE    |              |
|-----------------|--------------|
| PART NUMBER     | LENGTH (IN.) |
| 135104-04-06.00 | 6.00         |
| 135104-04-12.00 | 12.00        |
| 135104-04-24.00 | 24.00        |
| 135104-04-36.00 | 36.00        |
| 135104-04-48.00 | 48.00        |

NOTE:

1. PERFORM CONTINUITY AND HI-POT TESTING.
2. PACKAGED INDIVIDUALLY IN HEAT SEALED POLY BAG.

|   |             |  |        |
|---|-------------|--|--------|
| 3 | 009-954-352 | HEAT SHRINK TUBING, BLACK, 3/8" DIAMETER | A/R FT |
| 2 | 009-881-377 | COAXIAL CABLE, RG58/U                    | A/R FT |
| 1 | 132122      | CONNECTOR, SMA R/A PLUG, GOLD            | 2      |
|   | PN          | DESCRIPTION                              | QTY    |

UNLESS OTHERWISE SPECIFIED DIMENSIONS ARE IN MILLIMETERS. DIMENSIONS IN [ ] ARE IN INCHES AND FOR CUSTOMER REFERENCE ONLY.

UNLESS OTHERWISE SPECIFIED TOLERANCES FOR MILLIMETERS ARE:  
0.5 - 8mm ± 0.20mm  
8 - 30mm ± 0.40mm  
30 - 120mm ± 0.50mm

UNLESS OTHERWISE SPECIFIED TOLERANCES FOR INCHES ARE:  
.020 - .315 = ± 0.007"  
.315 - 1.180 = ± 0.015"  
1.180 - 4.724 = ± 0.020"

DO NOT SCALE DRAWING

| APPROVALS    | DATE                       |
|--------------|----------------------------|
| DRAWN G.R.S. | 02/03/09                   |
| CHECKED      |                            |
| ISSUED       |                            |
| SHEET 1 OF 1 |                            |
| CAD FILE     | C:/135/135104-04-XX.XX.DWG |

# Amphenol Connex

PART DESCRIPTION

SMA R/A PLUG TO SMA R/A PLUG  
RG58

PART NO.

135104-04-XX.XX

DWG. NO.

135104-04-XX.XX.DWG

REV. NC

SIZE A

SCALE NA

## X-ON Electronics

Largest Supplier of Electrical and Electronic Components

*Click to view similar products for [RF Cable Assemblies](#) category:*

*Click to view products by [Amphenol](#) manufacturer:*

Other Similar products are found below :

[73-6352-10](#) [73-6353-3](#) [73-6364-6](#) [R285001001](#) [R288940004](#) [R288940005](#) [145111-05-12.00](#) [1661-C-24](#) [1801171170914KE](#) [24P104C24J1-012](#) [24P104C24P1-006](#) [24P104C24P1-018](#) [24P204C24J1-003](#) [172-2150-EX](#) [1800920920914PJ](#) [FCB-3030-ALT](#) [21117-046](#) [21117-050](#) [PCX-24-50](#) [24P103C24P2-003](#) [25P203C25P2-003](#) [PTWY-24-78](#) [R284008001](#) [R285001021](#) [R285426000](#) [R288940003](#) [R288940008](#) [RF179-74BJ3-77RP1-0305](#) [4814-BB-24](#) [5260-72](#) [JT2N1-CL1-1F](#) [DLP-COAX1](#) [4814-K-48](#) [115101-09-06.00](#) [CCNTN2-MM-LL335-26](#) [73-6351-25](#) [73-6352-3](#) [73-6353-25](#) [1800920920610PJ](#) [GD0BQ0BQ024.0](#) [1-3636-600-5210](#) [TL8A-11SMA-11SMA-01500-51](#) [R284C0351060](#) [R288940009](#) [R284C0351028](#) [R288940002](#) [9702-1SL-1](#) [PT82NSMA](#) [73-6353-10](#) [R285020301W](#)