

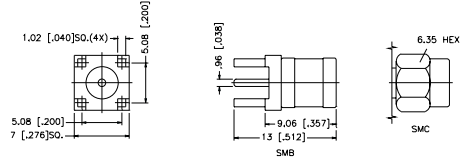
PRINTED CIRCUIT BOARD/STRAIGHT TERMINALS

For Cable Group Legend, see page 54

SMB/SMC COAXIAL CONNECTORS

STRAIGHT PLUG FOR P.C. BOARD

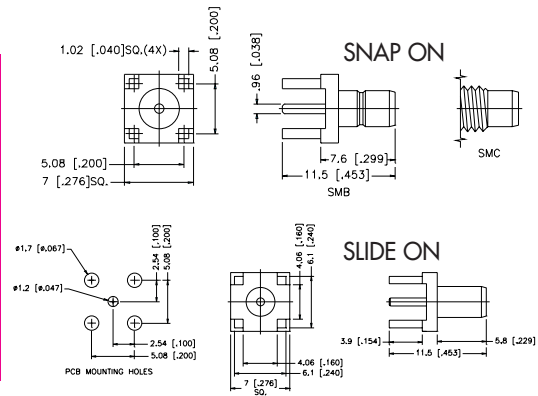
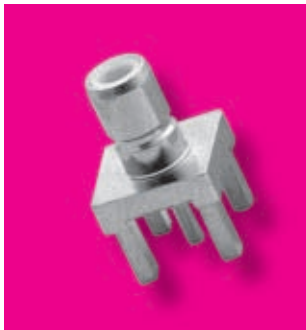
P.N.	Cable Group	Finish	Insulation	Impedance	Crimp Tool
SMB CONNECTORS					
142132	N/A	Nickel	Teflon	50	N/A
142133	N/A	Nickel	Teflon	75	N/A
142134	N/A	Gold	Teflon	50	N/A
142135	N/A	Gold	Teflon	75	N/A
SMC CONNECTORS					
152116	N/A	Nickel	Teflon	50	N/A
152117	N/A	Gold	Teflon	50	N/A



Mounting Hole Dia. see "TYPE B" page 185

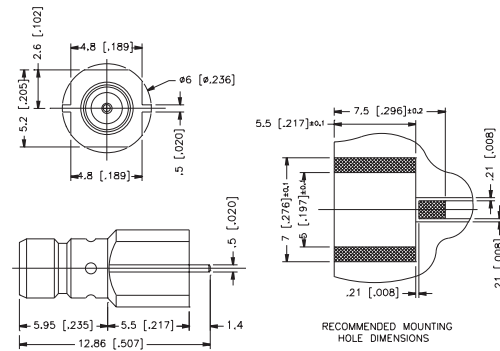
STRAIGHT JACK FOR P.C. BOARD

P.N.	Cable Group	Finish	Insulation	Impedance	Crimp Tool
SMB CONNECTORS					
142136	N/A	Nickel	Teflon	50	N/A
142137	N/A	Nickel	Teflon	75	N/A
142138	N/A	Gold	Teflon	50	N/A
142139	N/A	Gold	Teflon	75	N/A
SLIDE-ON					
142202	N/A	Gold	Teflon	50	N/A
142217	N/A	Gold	Teflon	75	N/A
4.43 mm (.175") PCB LEGS					
SMC CONNECTORS					
152118	N/A	Nickel	Teflon	50	N/A
152119	N/A	Gold	Teflon	50	N/A



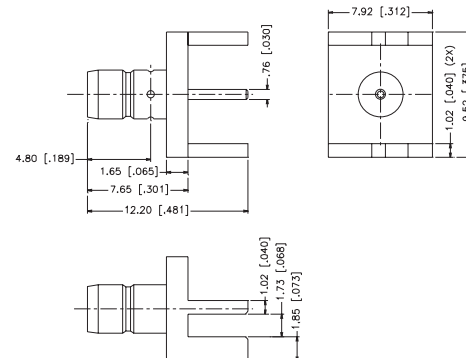
STRAIGHT JACK EDGE CARD MOUNT

P.N.	Cable Group	Finish	Insulation	Impedance	Crimp Tool
142297	N/A	Gold	Teflon	50	N/A

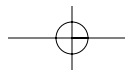


END LAUNCH JACK RECEPTACLE

P.N.	Cable Group	Finish	Insulation	Impedance	Crimp Tool
142311	N/A	Gold	Teflon	50	N/A



For Mini 75 ohm SMB connector (RG179/U Cable), add -75 to standard 50 ohm part number. Contact Connex marketing for availability.
 For Reverse Polarized connectors, add RP to standard part number. Contact Connex marketing for availability.
 For Crimp Tool information, see page 183.

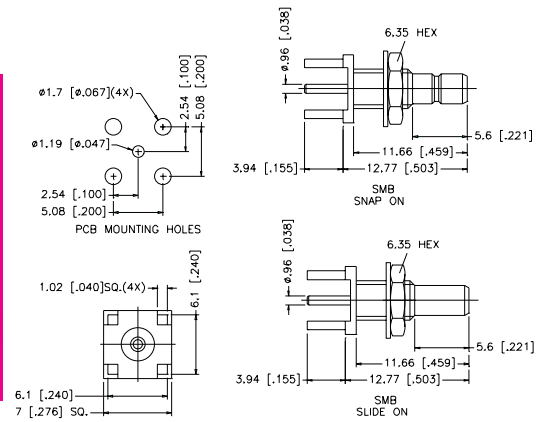


PRINTED CIRCUIT BOARD/STRAIGHT TERMINALS

For Cable Group Legend, see page 54

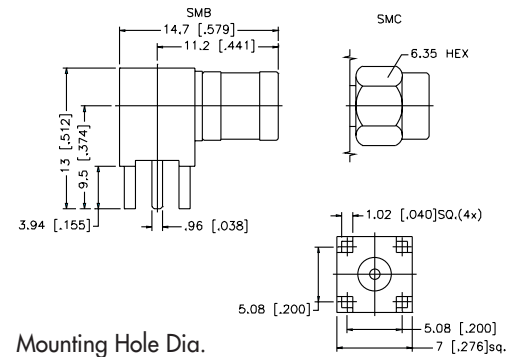
STRAIGHT BULKHEAD JACK FOR P.C. BOARD

P.N.	Cable Group	Finish	Insulation	Impedance	Crimp Tool
SMB CONNECTORS					
142204	N/A	Nickel	Teflon	50	N/A
SLIDE-ON					
142209	N/A	Nickel	Teflon	50	N/A
142210	N/A	Gold	Teflon	50	N/A



RIGHT ANGLE PLUG FOR P.C. BOARD

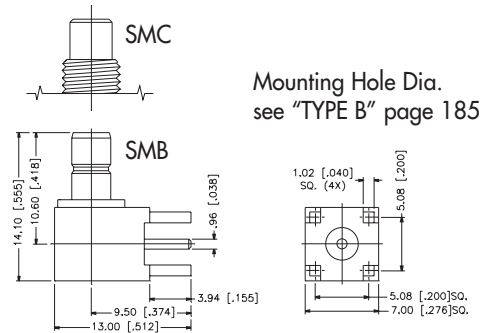
P.N.	Cable Group	Finish	Insulation	Impedance	Crimp Tool
SMB CONNECTORS					
142140	N/A	Nickel	Teflon	50	N/A
142141	N/A	Nickel	Teflon	75	N/A
142142	N/A	Gold	Teflon	50	N/A
142143	N/A	Gold	Teflon	75	N/A
SMC CONNECTORS					
152120	N/A	Nickel	Teflon	50	N/A
152121	N/A	Gold	Teflon	50	N/A



Mounting Hole Dia. see "TYPE B" page 185

RIGHT ANGLE JACK FOR P.C. BOARD

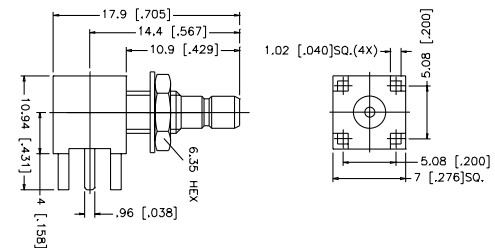
P.N.	Cable Group	Finish	Insulation	Impedance	Crimp Tool
SMB CONNECTORS					
142144	N/A	Nickel	Teflon	50	N/A
142145	N/A	Nickel	Teflon	75	N/A
142146	N/A	Gold	Teflon	50	N/A
142147	N/A	Gold	Teflon	75	N/A
142169	N/A	Tin/Lead	Teflon	50	N/A
SMC CONNECTORS					
152122	N/A	Nickel	Teflon	50	N/A
152123	N/A	Gold	Teflon	50	N/A



Mounting Hole Dia. see "TYPE B" page 185

RIGHT ANGLE BULKHEAD JACK FOR P.C. BOARD

P.N.	Cable Group	Finish	Insulation	Impedance	Crimp Tool
SMB CONNECTORS					
142184	N/A	Gold	Teflon	50	N/A



Mounting Hole Dia. see "TYPE B" page 185

X-ON Electronics

Largest Supplier of Electrical and Electronic Components

Click to view similar products for [RF Connectors / Coaxial Connectors](#) category:

Click to view products by [Amphenol](#) manufacturer:

Other Similar products are found below :

[8915-1511-000](#) [89674-0827](#) [6001-7071-019](#) [6002-7051-003](#) [6002-7551-202](#) [6059674-1](#) [619550-1](#) [630059-000](#) [M39030/3-01N](#) [6500-7071-046](#) [6769](#) [CX050L2AQ](#) [7002-1542-011](#) [7004-1512-000](#) [7009-1511-004](#) [7010-1511-000](#) [7029-1511-060](#) [7101-1541-010](#) [7101-1571-002](#) [7105-1521-002](#) [7145-1521-002](#) [7203-1571-003](#) [7209-1511-011](#) [7210-1511-015](#) [7210-1511-019](#) [73137-5015](#) [73216-2241](#) [7325-1512-000](#) [73404-2300](#) [7405-1521-005](#) [7405-1521-802](#) [7406-1521-005](#) [8527](#) [8547](#) [FS11V](#) [8808-1511-001](#) [9049-9513-000](#) [9074-9513-000](#) [9101-9573-002](#) [910A205F](#) [9130-9573-002](#) [PL11SC-026](#) [PL375-33](#) [PL40-5](#) [PL71-9](#) [PL74C-221](#) [PL75MC-217](#) [PL803-7](#) [980-8666-005](#) [1200690078](#)