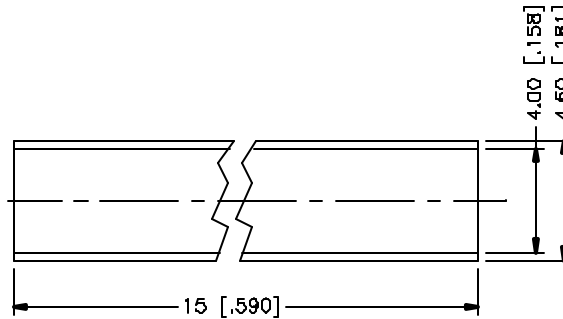
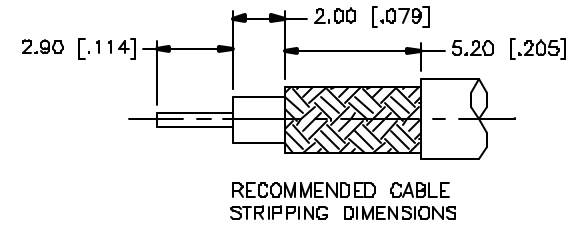
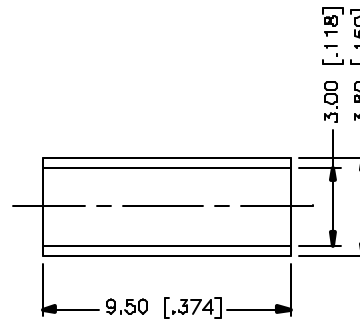
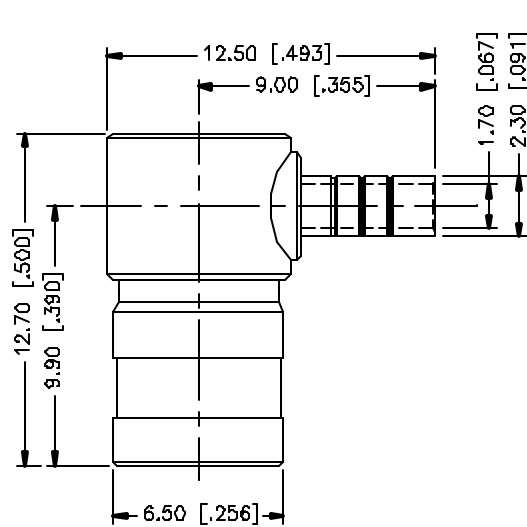
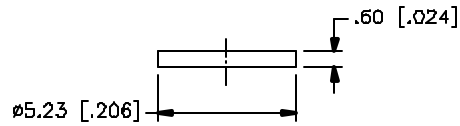


REV.	DATE	DESCRIPTION
A	03/27/05	UPDATE PART DIMENSIONS / DRAWING FORMAT



- NOTE:
1. CRIMPED FERRULE
HEX CRIMP SIZE .128"
 2. CONTACT PIN TO SOLDER

QTY	DESCRIPTION	MATERIAL	FINISH	QTY
8				
7	HEAT SHRINK TUBE			1
6	COVER	BRASS	NICKEL	1
5	FERRULE	COPPER	NICKEL	1
4	CONTACT PIN	BER. COPPER	GOLD	1
3	INSULATOR	TEFLON	NATURAL	1
2	BODY	BRASS	NICKEL	1
1	HOUSING	DIE CAST	NICKEL	1
	DESCRIPTION	MATERIAL	FINISH	QTY

UNLESS OTHERWISE SPECIFIED DIMENSIONS ARE IN MILLIMETERS. DIMENSIONS IN () ARE IN INCHES AND FOR CUSTOMER REFERENCE ONLY.		APPROVALS	DATE	<h1 style="color: blue; margin: 0;">Amphenol Connex</h1>
UNLESS OTHERWISE SPECIFIED TOLERANCES FOR MILLIMETERS ARE: 0.5 - 3mm ± 0.20mm 3 - 30mm ± 0.40mm 30 - 120mm ± 0.80mm		DRAWN G.R.S.	03/27/05	
UNLESS OTHERWISE SPECIFIED TOLERANCES FOR INCHES ARE: .020 - .315 = ± 0.007" .315 - 1.180 = ± 0.015" 1.180 - 4.724 = ± 0.020"		CHECKED		
DO NOT SCALE DRAWING		ISSUED		
		SHEET 1 OF 1		
		CAD FILE C:/142/142193-75.DWG		<p>PART DESCRIPTION</p> <h2 style="text-align: center; margin: 0;">SMB R/A CRIMP PLUG (FOR RG-179/U CABLE)</h2>
				<p>PART NO.</p> <h2 style="text-align: center; margin: 0;">142193-75</h2>
				<p>DWG. NO. 142193-75.DWG</p>
				<p>REV. A SIZE A SCALE NA</p>

X-ON Electronics

Largest Supplier of Electrical and Electronic Components

Click to view similar products for [RF Connectors / Coaxial Connectors](#) category:

Click to view products by [Amphenol](#) manufacturer:

Other Similar products are found below :

[8915-1511-000](#) [89674-0827](#) [6001-7071-019](#) [6002-7051-003](#) [6002-7551-202](#) [6059674-1](#) [619550-1](#) [630059-000](#) [M39030/3-01N](#) [M3933/25-36N](#) [6500-7071-046](#) [6769](#) [CX050L2AQ](#) [7002-1542-011](#) [7004-1512-000](#) [7009-1511-004](#) [7010-1511-000](#) [7029-1511-060](#) [7101-1541-010](#) [7101-1571-002](#) [7105-1521-002](#) [7145-1521-002](#) [7203-1571-003](#) [7209-1511-011](#) [7210-1511-015](#) [7210-1511-019](#) [73137-5015](#) [73216-2241](#) [7325-1512-000](#) [73404-2300](#) [7405-1521-005](#) [7405-1521-802](#) [7406-1521-005](#) [8527](#) [8547](#) [FS11V](#) [8808-1511-001](#) [9049-9513-000](#) [9074-9513-000](#) [9101-9573-002](#) [910A205F](#) [9130-9573-002](#) [PL11SC-026](#) [PL375-33](#) [PL40-5](#) [PL71-9](#) [PL74C-221](#) [PL75MC-217](#) [PL803-7](#) [980-8666-005](#)