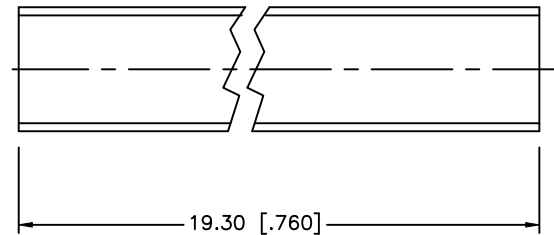
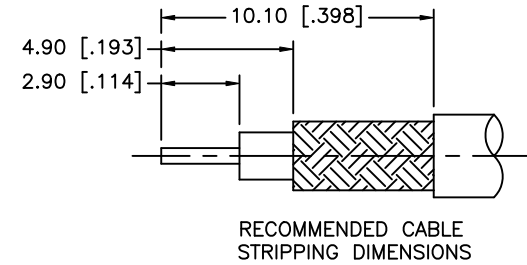
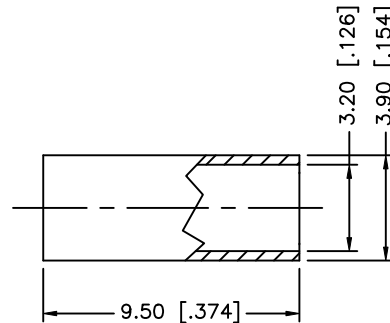
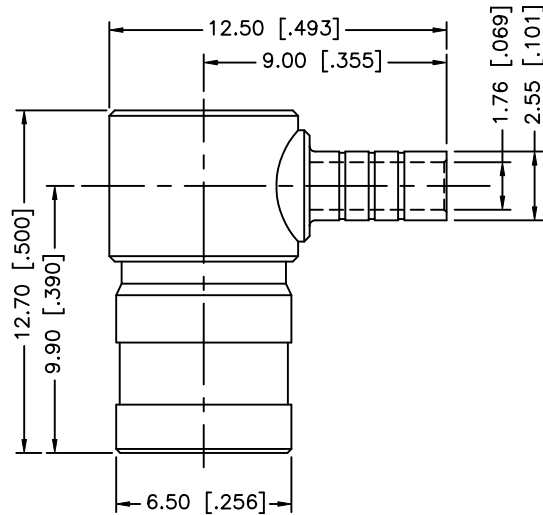
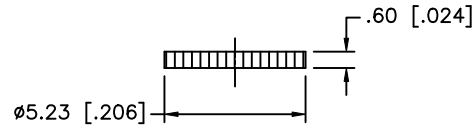


REV.	DATE	ECR NO.	DESCRIPTION
A	01/30/04	-	UPDATE PART DIMENSIONS / DRAWING FORMAT
B	05/08/07	-	REVISE BARREL, FERRULE DIMENSIONS
C	03/16/08	-	REVISE FERRULE AND RECOMMENDED CRIMP DIMENSIONS
D	11/13/08	-	REVISE FERRULE DIAMETERS TO 3.20 I.D. , 3.90 O.D.



NOTE:

1. CRIMPED FERRULE HEX CRIMP SIZE .128"
2. CONTACT PIN TO SOLDER

				UNLESS OTHERWISE SPECIFIED DIMENSIONS ARE IN MILLIMETERS. DIMENSIONS IN [] ARE IN INCHES AND FOR CUSTOMER REFERENCE ONLY.	APPROVALS	DATE	<h1 style="color: blue; text-align: center;">Amphenol Connex</h1>				
8					DRAWN	G.R.S.					11/13/08
7	HEAT SHRINK TUBE			1	CHECKED			PART NO. 142193			
6	COVER	BRASS	NICKEL	1	ISSUED						
5	FERRULE	COPPER	NICKEL	1	SHEET	1 OF 1		REV. D SIZE A SCALE NA			
4	CONTACT PIN	BER. COPPER	GOLD	1							
3	INSULATOR	TEFLON	NATURAL	1							
2	BODY	BRASS	NICKEL	1							
1	HOUSING	DIE CAST	NICKEL	1							
DESCRIPTION				MATERIAL	FINISH	QTY					
				DO NOT SCALE DRAWING	CAD FILE C:/142/142193.DWG						

UNLESS OTHERWISE SPECIFIED DIMENSIONS ARE IN MILLIMETERS. DIMENSIONS IN [] ARE IN INCHES AND FOR CUSTOMER REFERENCE ONLY.

UNLESS OTHERWISE SPECIFIED TOLERANCES FOR MILLIMETERS ARE:
 0.5 - 8mm ± 0.20mm
 8 - 30mm ± 0.40mm
 30 - 120mm ± 0.50mm

UNLESS OTHERWISE SPECIFIED TOLERANCES FOR INCHES ARE:
 .020 - .315 = ± 0.007"
 .315 - 1.180 = ± 0.015"
 1.180 - 4.724 = ± 0.020"

X-ON Electronics

Largest Supplier of Electrical and Electronic Components

Click to view similar products for [RF Connectors / Coaxial Connectors](#) category:

Click to view products by [Amphenol](#) manufacturer:

Other Similar products are found below :

[8915-1511-000](#) [89674-0827](#) [6001-7071-019](#) [6002-7051-003](#) [6002-7551-202](#) [6059674-1](#) [619550-1](#) [630059-000](#) [M39030/3-01N](#) [M3933/25-36N](#) [6500-7071-046](#) [6769](#) [CX050L2AQ](#) [7002-1542-011](#) [7004-1512-000](#) [7009-1511-004](#) [7010-1511-000](#) [7029-1511-060](#) [7101-1541-010](#) [7101-1571-002](#) [7105-1521-002](#) [7145-1521-002](#) [7203-1571-003](#) [7209-1511-011](#) [7210-1511-015](#) [7210-1511-019](#) [73137-5015](#) [73216-2241](#) [7325-1512-000](#) [73404-2300](#) [7405-1521-005](#) [7405-1521-802](#) [7406-1521-005](#) [8527](#) [8547](#) [FS11V](#) [8808-1511-001](#) [9049-9513-000](#) [9074-9513-000](#) [9101-9573-002](#) [910A205F](#) [9130-9573-002](#) [PL11SC-026](#) [PL375-33](#) [PL40-5](#) [PL71-9](#) [PL74C-221](#) [PL75MC-217](#) [PL803-7](#) [980-8666-005](#)