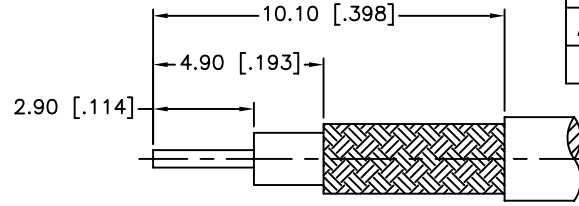
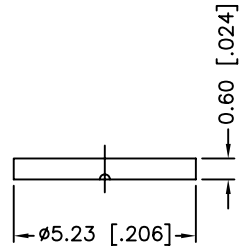
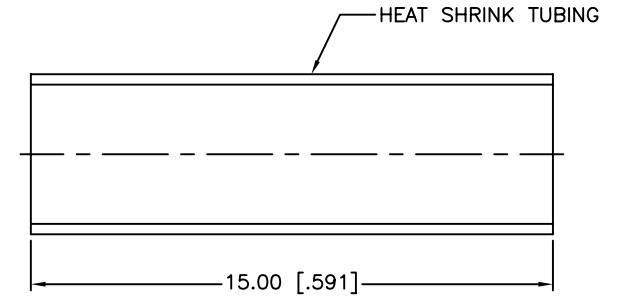
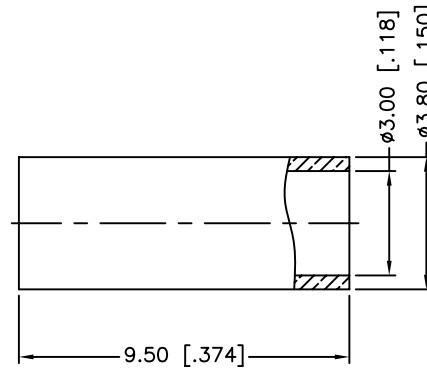
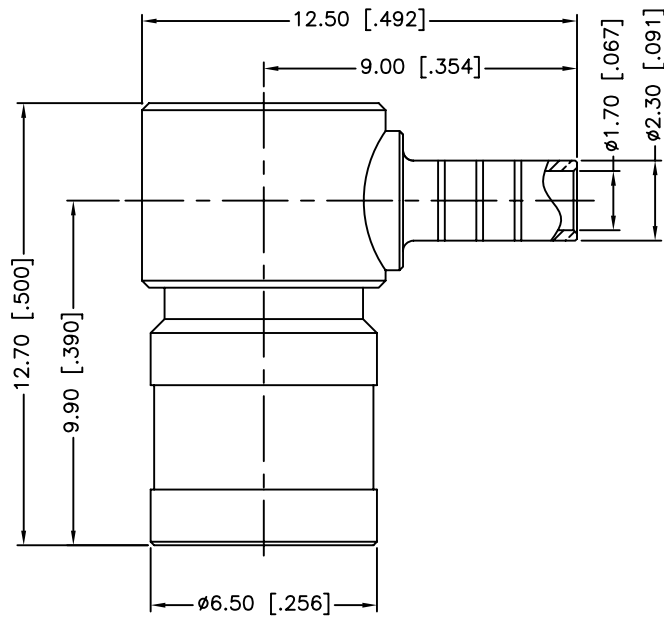


| REV. | DATE     | ECR NO. | DESCRIPTION  |
|------|----------|---------|--|
| NC   | 03/25/04 | XXXXXX  | INITIAL RELEASE  |
| A    | 03/27/05 | XXXXXX  | UPDATE PART DIMENSIONS/DRAWING FORMAT                  |
| B    | 12/17/10 | 2129    | CHANGE TITLE BLOCK TO "MINI 75 OHM SMB R/A CRIMP PLUG" |



RECOMMENDED  
CABLE STRIPPING DIM'S



1. CRIMPED FERRULE  
HEX CRIMP SIZE .128"
2. CONTACT PIN TO SOLDER

| DESCRIPTION | MATERIAL           | FINISH       | QTY       |
|-------------|--------------------|--------------|-----------|
| 8           | HEAT SHRINK TUBING |              | 1         |
| 7           | COVER              | BRASS        | GOLD 1    |
| 6           | FERRULE            | COPPER       | GOLD 1    |
| 5           | CONTACT PIN        | BER. COPPER  | GOLD 1    |
| 4           | INSULATOR          | PTFE         | NATURAL 1 |
| 3           | RETAINER RING      | BER. COPPER  | NATURAL 1 |
| 2           | BODY               | BRASS        | GOLD 1    |
| 1           | HOUSING            | ZINC DIECAST | GOLD 1    |

UNLESS OTHERWISE SPECIFIED DIMENSIONS ARE IN MILLIMETERS. DIMENSIONS IN [ ] ARE IN INCHES AND FOR CUSTOMER REFERENCE ONLY.

UNLESS OTHERWISE SPECIFIED TOLERANCES FOR MILLIMETERS ARE:  
0.5 - 8mm ± 0.20mm  
8 - 30mm ± 0.40mm  
30 - 120mm ± 0.50mm

UNLESS OTHERWISE SPECIFIED TOLERANCES FOR INCHES ARE:  
.020 - .315 = ± 0.007"  
.315 - 1.180 = ± 0.015"  
1.180 - 4.724 = ± 0.020"

DO NOT SCALE DRAWING

| APPROVALS                        | DATE     |
|----------------------------------|----------|
| DRAWN M.ZHANG                    | 12/17/10 |
| CHECKED                          |          |
| ISSUED                           |          |
| SHEET 1 OF 1                     |          |
| CAD FILE C:/CONNEX/142194-75.DWG |          |

|  |               |                  |          |
|--|---------------|------------------|----------|
| <b>Amphenol Connex</b>   |               |                  |          |
| PART DESCRIPTION<br><b>MINI 75 OHM SMB R/A CRIMP PLUG<br/>(FOR RG-179/U CABLE)</b> |               |                  |          |
| PART NO.   |               | <b>142194-75</b> |          |
| DWG. NO.   | 142194-75.DWG | REV. B           | SCALE NA |

## X-ON Electronics

Largest Supplier of Electrical and Electronic Components

*Click to view similar products for [RF Connectors / Coaxial Connectors](#) category:*

*Click to view products by [Amphenol](#) manufacturer:*

Other Similar products are found below :

[8915-1511-000](#) [89674-0827](#) [6001-7071-019](#) [6002-7051-003](#) [6002-7551-202](#) [6059674-1](#) [619550-1](#) [630059-000](#) [M39030/3-01N](#) [M3933/25-36N](#) [6500-7071-046](#) [6769](#) [CX050L2AQ](#) [7002-1542-011](#) [7004-1512-000](#) [7009-1511-004](#) [7010-1511-000](#) [7029-1511-060](#) [7101-1541-010](#) [7101-1571-002](#) [7105-1521-002](#) [7145-1521-002](#) [7203-1571-003](#) [7209-1511-011](#) [7210-1511-015](#) [7210-1511-019](#) [73137-5015](#) [73216-2241](#) [7325-1512-000](#) [73404-2300](#) [7405-1521-005](#) [7405-1521-802](#) [7406-1521-005](#) [8527](#) [8547](#) [FS11V](#) [8808-1511-001](#) [9049-9513-000](#) [9074-9513-000](#) [9101-9573-002](#) [910A205F](#) [9130-9573-002](#) [PL11SC-026](#) [PL375-33](#) [PL40-5](#) [PL71-9](#) [PL74C-221](#) [PL75MC-217](#) [PL803-7](#) [980-8666-005](#)