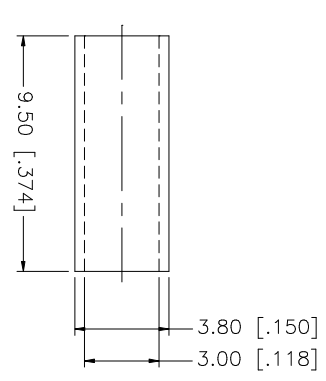
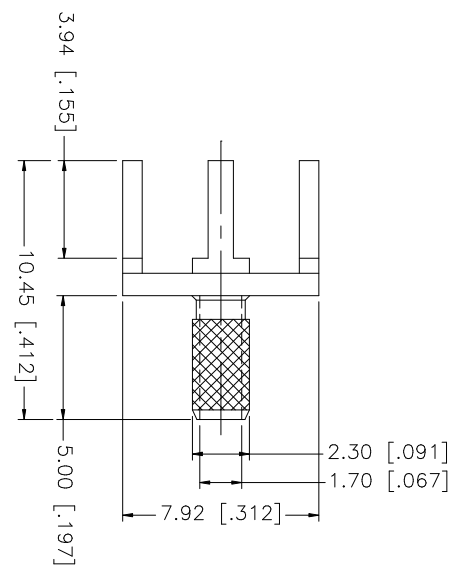
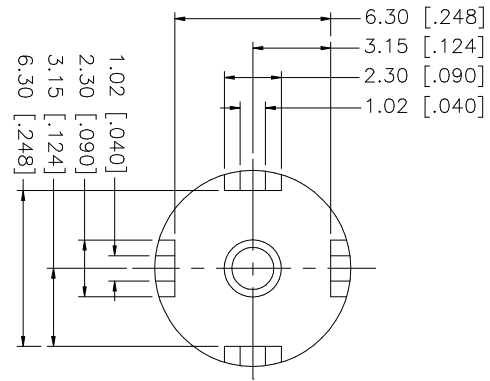
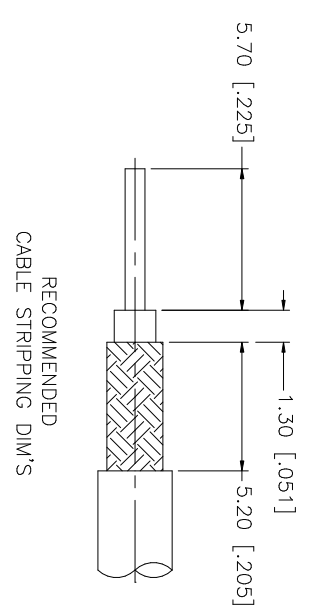
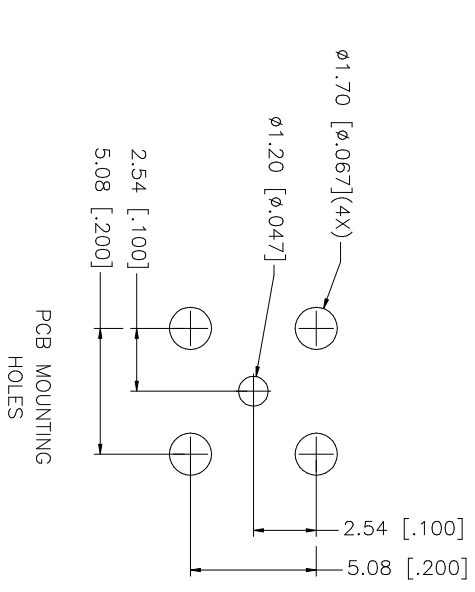


| REV. | DATE     | DESCRIPTION           |
|------|----------|-----------------------|
| A    | 06/05/03 | UPDATE DRAWING FORMAT |



NOTE:  
1. CRIMPED FERRULE  
HEX CRIMP SIZE .128"

| QTY | FINISH | MATERIAL | DESCRIPTION |
|-----|--------|----------|-------------|
| 1   | GOLD   | BRASS    | BODY        |
| 1   | GOLD   | COPPER   | FERRULE     |

| UNLESS OTHERWISE SPECIFIED DIMENSIONS ARE IN MILLIMETERS. DIMENSIONS IN [ ] ARE IN INCHES AND FOR CUSTOMER REFERENCE ONLY. | UNLESS OTHERWISE SPECIFIED DIMENSIONS ARE IN MILLIMETERS. DIMENSIONS IN [ ] ARE IN INCHES AND FOR CUSTOMER REFERENCE ONLY. |
|--|--|
| TOLERANCES FOR MILLIMETERS ARE:<br>0.5 - 8mm ± 0.20mm<br>8 - 30mm ± 0.40mm<br>30 - 120mm ± 0.50mm                          | TOLERANCES FOR INCHES ARE:<br>.020 - .315 = ± 0.007"<br>.315 - 1.180 = ± 0.015"<br>1.180 - 4.724 = ± 0.020"                |

| APPROVALS    | DATE     |
|--------------|----------|
| DRAWN G.R.S. | 06/05/03 |
| CHECKED      |          |
| ISSUED       |          |
| SHEET 1 OF 1 |          |

| PART DESCRIPTION  | PART NO. |
|---|----------|
| PCB MOUNT CABLE TERMINAL<br>(FOR RG-174/U, 188A/U, 316/U) | 142200   |

| CAD FILE          | DWG. NO.   | REV. | SIZE | SCALE |
|-------------------|------------|------|------|-------|
| C:/142/142200.DWG | 142200.DWG | A    | A    | NA    |

**Amphenol Connex**

## X-ON Electronics

Largest Supplier of Electrical and Electronic Components

*Click to view similar products for [RF Terminators](#) category:*

*Click to view products by [Amphenol](#) manufacturer:*

Other Similar products are found below :

[M390303-02N](#) [M39030/3-04S](#) [M39030/3-09S](#) [TNG1-9-78-D3](#) [TNA2-50](#) [TNG1-6-78](#) [TNH1-1-50](#) [R404280000](#) [TNGFL1-1-78](#) [R4042N5000](#)  
[R404518000](#) [53S1RR-001N3](#) [142275](#) [56S1RR-001N4](#) [18S15R-0.5E3](#) [65\\_BNC-50-0-7/133\\_NE](#) [71S1RR-001N4](#) [02S17R-001D3](#)  
[R404240120](#) [R404260000](#) [HT-10-2](#) [M39030/3-04N](#) [TNA1-6-50](#) [131-3801-811](#) [TNA1-1-50](#) [65\\_N-50-0-51/113\\_NE](#) [65\\_N-50-0-1/133\\_NE](#)  
[65002\\_N-50-1/122\\_NE](#) [65\\_MMCX-50-0-31/111\\_OE](#) [18K15R-0.5E3](#) [2702702](#) [TRM-2161-M0-35M-02](#) [53S17R-001N3](#) [18S24H-40ML5](#)  
[TRM-2053-M0-NNN-02](#) [R404759000](#) [M39030/6-02N](#) [TRM-2080-M0-NNN-07](#) [TRM-2053-MC-NNN-02](#) [M39030/3-03S](#) [SF8012-6009](#)  
[6701.01.A](#) [65\\_716-50-0-2/003\\_-E](#) [65\\_SMB-50-0-1/111\\_NE](#) [M39030/3-12N](#) [M39030/5-06N](#) [82-5722-RFX](#) [8018-6174](#) [SF8018-6005](#) [000-46650-51RFX](#)