

2 DEC 1998 17:19

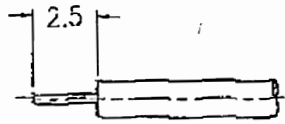
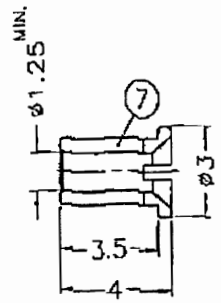
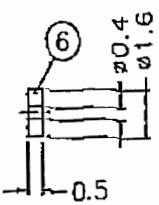
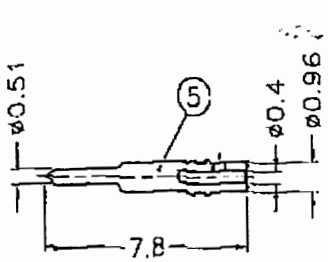
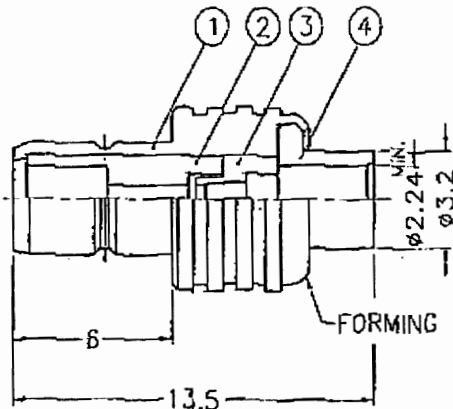
NO. 571

P. 13/25

1/4/99 to beam

1 2 3 4 5 6 7 8

REVISIONS			
ISS	ZONE	DESCRIPTION	APPROVED DATE



RECOMMENDED  
CABLE STRIPPING DIM'S

- NOTES: FINISH (PLATING THICKNESS IN MICRO-INCHES)
1. BRASS PER QQ-B-625
  2. GOLD PL. 3 MIN. THICK OVER NICKEL PL. 100 MIN. THICK OVER COPPER STRIKE
  3. GOLD PL. 30 MIN. THICK OVER NICKEL PL. 100 MIN. THICK OVER COPPER STRIKE
  4. TEFLON MIL-P-19468



NO.	DESCRIPTION	MATERIAL	FINISH	Q'TY	DRAWING NO.
7	SOLDER BARREL	NOTE 1	NOTE 2	1	SMB1181A1-7
6	INSULATOR	NOTE 4	NATURAL	1	SMB1181A1-5T-5D
5	CONTACT PIN	NOTE 1	NOTE 3	1	SMB1121A1-5-C26/D4
4	BARREL	NOTE 1	NOTE 2	1	SMB6181A1-4-32/224-E
3	INSULATOR	NOTE 4	NATURAL	1	SMB6121B2-3T-5C
2	INSULATOR	NOTE 4	NATURAL	1	SMB1121A1-2T-5D
1	BODY	NOTE 1	NOTE 2	1	SMB1121A1-1-B

DIMENSIONS ARE IN MILLIMETERS  
UNLESS OTHERWISE SPECIFIED TOLERANCES

0.3-5	±0.2
6-30	±0.4
30-120	±0.5
120-115	±1
315-1000	±1.5
1000-2000	±2.4

PART NO.		142225
APPROVED	DATE	11-10-98
CHECKED	DATE	11-10-98
DRAWN	DATE	11-10-98

<b>KAI JACK INDUSTRIAL CO., LTD.</b> TAINAN TAIWAN R.O.C.	
TITLE	SMB DIRECT SOLDER JACK (FOR .047") SIMIL RIGID CABLE
DRAWING NO.	142225
FILE NO.	KJ-SMB1181A1-3GTJG-047-50
FILE NO.	F:\DWG\5MB\1181A1\047-50\3GT50G

12/02/98 02:11

TX/RX NO. 6410

P. 013

F  
E  
D  
C  
B  
A

1 2 3 4 5 6 7 8

## X-ON Electronics

Largest Supplier of Electrical and Electronic Components

*Click to view similar products for [RF Connectors / Coaxial Connectors](#) category:*

*Click to view products by [Amphenol](#) manufacturer:*

Other Similar products are found below :

[8915-1511-000](#) [89674-0827](#) [6001-7071-019](#) [6002-7051-003](#) [6002-7551-202](#) [6059674-1](#) [619550-1](#) [630059-000](#) [M39030/3-01N](#) [M3933/25-36N](#) [6500-7071-046](#) [6769](#) [CX050L2AQ](#) [7002-1542-011](#) [7004-1512-000](#) [7009-1511-004](#) [7010-1511-000](#) [7029-1511-060](#) [7101-1541-010](#) [7101-1571-002](#) [7105-1521-002](#) [7145-1521-002](#) [7203-1571-003](#) [7209-1511-011](#) [7210-1511-015](#) [7210-1511-019](#) [73137-5015](#) [73216-2241](#) [7325-1512-000](#) [73404-2300](#) [7405-1521-005](#) [7405-1521-802](#) [7406-1521-005](#) [8527](#) [8547](#) [FS11V](#) [8808-1511-001](#) [9049-9513-000](#) [9074-9513-000](#) [9101-9573-002](#) [910A205F](#) [9130-9573-002](#) [PL11SC-026](#) [PL375-33](#) [PL40-5](#) [PL71-9](#) [PL74C-221](#) [PL75MC-217](#) [PL803-7](#) [980-8666-005](#)