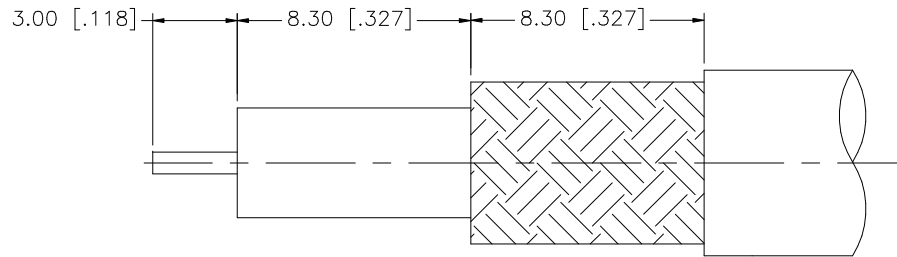
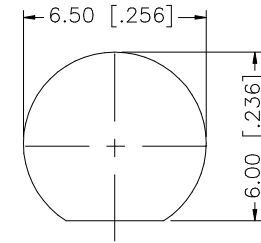


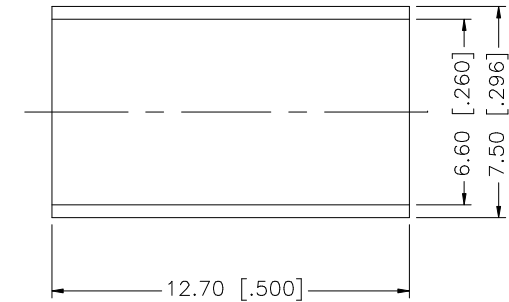
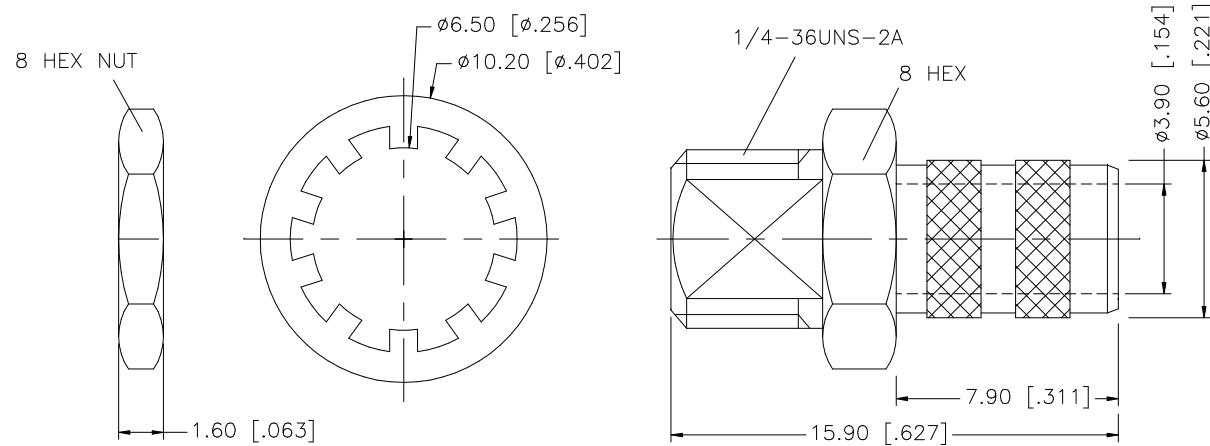
REV.	DATE	DESCRIPTION
NC	03/06/00	INITIAL RELEASE
A	12/15/05	UPDATE DRAWING FORMAT



RECOMMENDED
CABLE STRIPPING DIM'S



RECOMMENDED
MOUNTING HOLE



CRIMP NOTES:

1. CRIMPED FERRULE
HEX CRIMP SIZE .255"

REV.	DATE	DESCRIPTION
8		
7		
6		
5	FERRULE	COPPER NICKEL 1
4	HEX NUT	BRASS NICKEL 1
3	LOCK WASHER	BRASS NICKEL 1
2	INSULATOR	TEFLON NATURAL 1
1	BODY	BRASS NICKEL 1
DESCRIPTION		MATERIAL FINISH QTY
UNLESS OTHERWISE SPECIFIED DIMENSIONS ARE IN MILLIMETERS. DIMENSIONS IN [] ARE IN INCHES AND FOR CUSTOMER REFERENCE ONLY.		DO NOT SCALE DRAWING
UNLESS OTHERWISE SPECIFIED TOLERANCES FOR MILLIMETERS ARE:		
0.5 - 8mm ± 0.20mm		
8 - 30mm ± 0.40mm		
30 - 120mm ± 0.50mm		
UNLESS OTHERWISE SPECIFIED TOLERANCES FOR INCHES ARE:		
.020 - .315 ± 0.007"		
.315 - 1.180 ± 0.015"		
1.180 - 4.724 ± 0.020"		
APPROVALS		DATE
DRAWN G.R.S.		12/15/05
CHECKED		
ISSUED		
SHEET 1 OF 1		
CAD FILE		
C:/142/142273.DWG		
PART DESCRIPTION		
BULKHEAD CABLE TERMINATION (FOR RG-59/U, LMR240 CABLE)		
PART NO. 142273		
DWG. NO.	142273.DWG	REV. A
SIZE	A	SCALE NA

Amphenol Connex

X-ON Electronics

Largest Supplier of Electrical and Electronic Components

Click to view similar products for [RF Terminators](#) category:

Click to view products by [Amphenol](#) manufacturer:

Other Similar products are found below :

[M390303-02N](#) [M39030/3-04S](#) [M39030/3-09S](#) [TNG1-9-78-D3](#) [TNA2-50](#) [TNG1-6-78](#) [TNH1-1-50](#) [R404280000](#) [TNGFL1-1-78](#) [R4042N5000](#)
[R404518000](#) [53S1RR-001N3](#) [142275](#) [56S1RR-001N4](#) [18S15R-0.5E3](#) [65_BNC-50-0-7/133_NE](#) [71S1RR-001N4](#) [02S17R-001D3](#)
[R404240120](#) [R404260000](#) [HT-10-2](#) [M39030/3-04N](#) [TNA1-6-50](#) [131-3801-811](#) [TNA1-1-50](#) [65_N-50-0-51/113_NE](#) [65_N-50-0-1/133_NE](#)
[65002_N-50-1/122_NE](#) [65_MMCX-50-0-31/111_OE](#) [18K15R-0.5E3](#) [2702702](#) [TRM-2161-M0-35M-02](#) [53S17R-001N3](#) [18S24H-40ML5](#)
[TRM-2053-M0-NNN-02](#) [R404759000](#) [M39030/6-02N](#) [TRM-2080-M0-NNN-07](#) [TRM-2053-MC-NNN-02](#) [M39030/3-03S](#) [SF8012-6009](#)
[6701.01.A](#) [65_716-50-0-2/003_-E](#) [65_SMB-50-0-1/111_NE](#) [M39030/3-12N](#) [M39030/5-06N](#) [82-5722-RFX](#) [8018-6174](#) [SF8018-6005](#) [000-46650-51RFX](#)