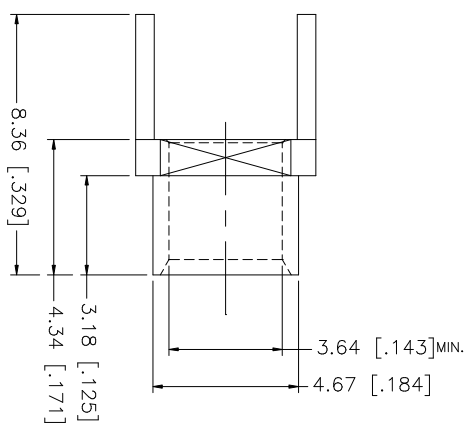
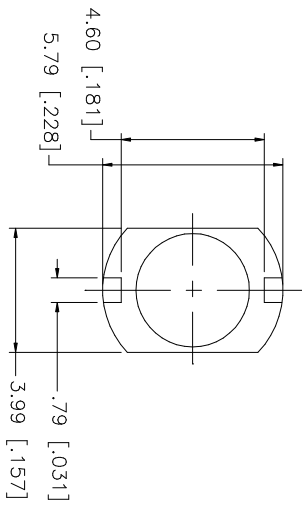
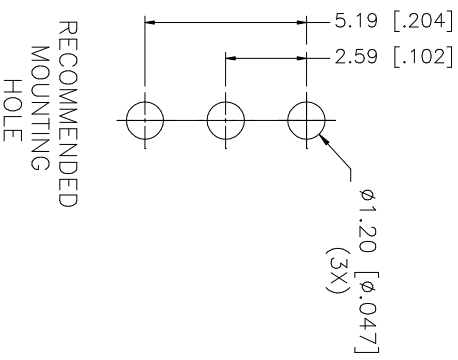
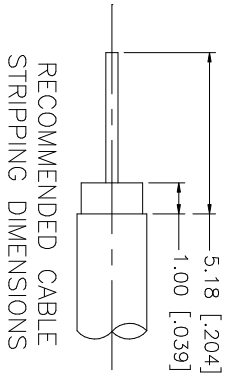


REV.	DATE	DESCRIPTION
NC	12/22/03	INITIAL RELEASE



DESCRIPTION	MATERIAL	FINISH	QTY	DO NOT SCALE DRAWING	CAD FILE	DWG. NO.	REV.	SIZE	SCALE
1	BRASS	GOLD	1	1.180 - 4.724 = ± 0.020"	C:/142/142326.DWG	142326.DWG	A	A	NA
2				.020 - .315 = ± 0.007"					
3				.315 - 1.180 = ± 0.015"					
4				1.180 - 4.724 = ± 0.020"					
5				UNLESS OTHERWISE SPECIFIED DIMENSIONS ARE IN MILLIMETERS. DIMENSIONS IN [ ] ARE IN INCHES AND FOR CUSTOMER REFERENCE ONLY.					
6				UNLESS OTHERWISE SPECIFIED TOLERANCES FOR MILLIMETERS ARE:					
7				0.5 - 8mm ± 0.20mm					
8				8 - 30mm ± 0.40mm					
				30 - 120mm ± 0.50mm					
				UNLESS OTHERWISE SPECIFIED TOLERANCES FOR INCHES ARE:					
				.020 - .315 = ± 0.007"					
				.315 - 1.180 = ± 0.015"					
				1.180 - 4.724 = ± 0.020"					
				UNLESS OTHERWISE SPECIFIED DIMENSIONS ARE IN MILLIMETERS. DIMENSIONS IN [ ] ARE IN INCHES AND FOR CUSTOMER REFERENCE ONLY.					
				UNLESS OTHERWISE SPECIFIED TOLERANCES FOR MILLIMETERS ARE:					
				0.5 - 8mm ± 0.20mm					
				8 - 30mm ± 0.40mm					
				30 - 120mm ± 0.50mm					
				UNLESS OTHERWISE SPECIFIED TOLERANCES FOR INCHES ARE:					
				.020 - .315 = ± 0.007"					
				.315 - 1.180 = ± 0.015"					
				1.180 - 4.724 = ± 0.020"					
				UNLESS OTHERWISE SPECIFIED DIMENSIONS ARE IN MILLIMETERS. DIMENSIONS IN [ ] ARE IN INCHES AND FOR CUSTOMER REFERENCE ONLY.					
				UNLESS OTHERWISE SPECIFIED TOLERANCES FOR MILLIMETERS ARE:					
				0.5 - 8mm ± 0.20mm					
				8 - 30mm ± 0.40mm					
				30 - 120mm ± 0.50mm					
				UNLESS OTHERWISE SPECIFIED TOLERANCES FOR INCHES ARE:					
				.020 - .315 = ± 0.007"					
				.315 - 1.180 = ± 0.015"					
				1.180 - 4.724 = ± 0.020"					

**Amphenol Connex**

PART DESCRIPTION  
PCB MOUNT CABLE TERMINATION  
(FOR .141" SEMI RIGID CABLE)

PART NO. 142326

## X-ON Electronics

Largest Supplier of Electrical and Electronic Components

*Click to view similar products for [RF Connectors / Coaxial Connectors](#) category:*

*Click to view products by [Amphenol](#) manufacturer:*

Other Similar products are found below :

[8915-1511-000](#) [89674-0827](#) [6001-7071-019](#) [6002-7051-003](#) [6002-7551-202](#) [6059674-1](#) [619550-1](#) [630059-000](#) [M39030/3-01N](#) [M3933/25-36N](#) [6500-7071-046](#) [6769](#) [CX050L2AQ](#) [7002-1542-011](#) [7004-1512-000](#) [7009-1511-004](#) [7010-1511-000](#) [7029-1511-060](#) [7101-1541-010](#) [7101-1571-002](#) [7105-1521-002](#) [7145-1521-002](#) [7203-1571-003](#) [7209-1511-011](#) [7210-1511-015](#) [7210-1511-019](#) [73137-5015](#) [73216-2241](#) [7325-1512-000](#) [73404-2300](#) [7405-1521-005](#) [7405-1521-802](#) [7406-1521-005](#) [8527](#) [8547](#) [FS11V](#) [8808-1511-001](#) [9049-9513-000](#) [9074-9513-000](#) [9101-9573-002](#) [910A205F](#) [9130-9573-002](#) [PL11SC-026](#) [PL375-33](#) [PL40-5](#) [PL71-9](#) [PL74C-221](#) [PL75MC-217](#) [PL803-7](#) [980-8666-005](#)