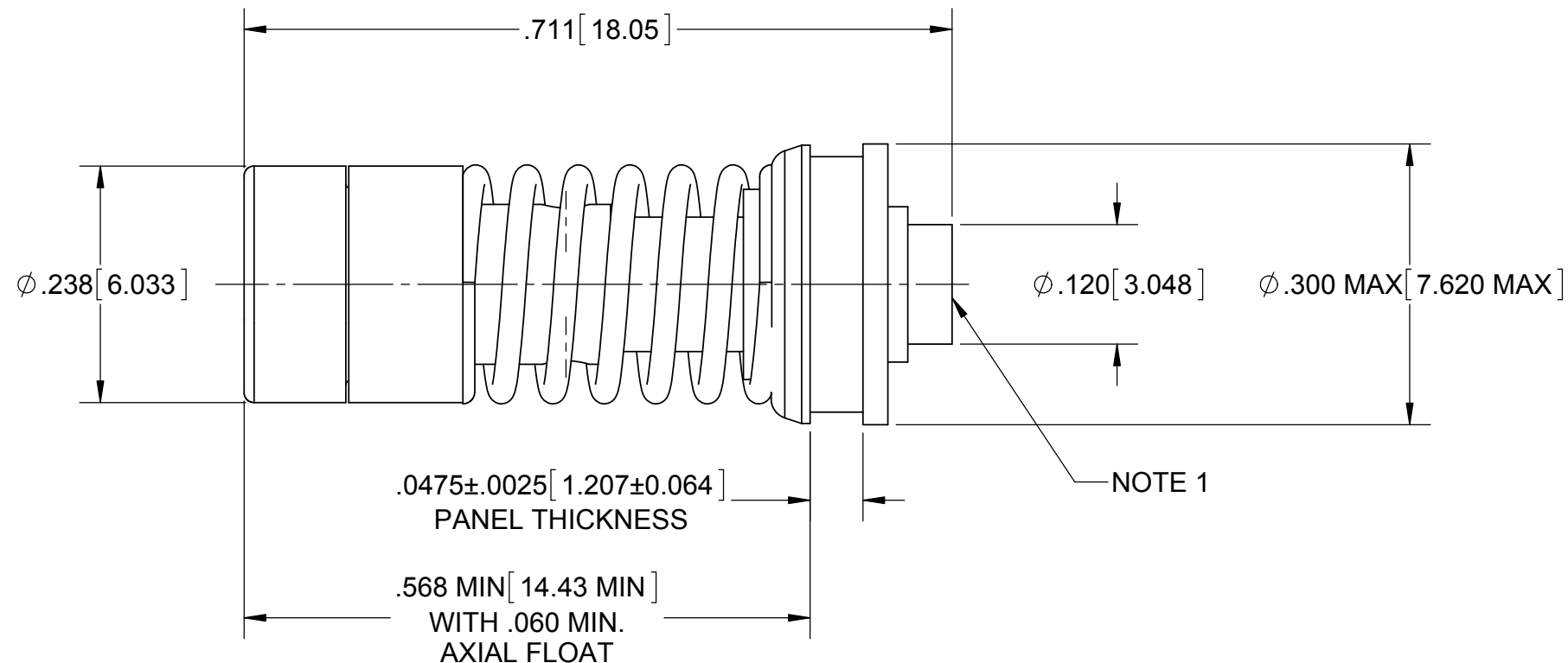
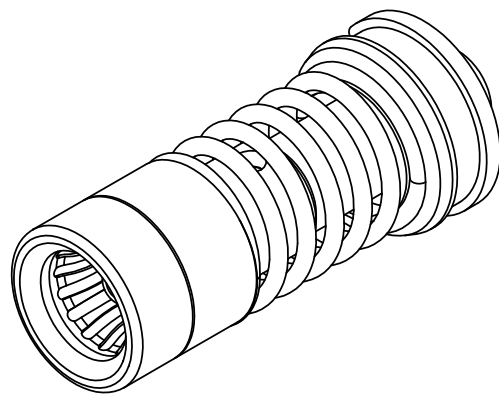


PRODUCT DATA DRAWING

REVISION HISTORY			
REV	DESCRIPTION	DATE	APPROVED
C	DCN 32895	03/05	BRT
D	DCN 42213	4/16	DAL



MATERIAL:

BODY & INSERT: STAINLESS STEEL PER AMS-5640, UNS S30300, TYPE 303

CONTACT, SPRING CLIP, CONTACT SLEEVE: BERYLLIUM COPPER PER ASTM B196 ALLOY UNS C17300, COND TD04

SHIM SPRING, OUTER CONTACT: BERYLLIUM COPPER PER ASTM B194 ALLOY UNS C17200, COND TD04

COIL SPRING: MUSIC WIRE PER ASTM A228

E-RING: STAINLESS STEEL PER ASTM A240 ALLOY UNS S30400, TYPE 304

INSULATOR: PTFE PER ASTM D1710, TYPE I, GRADE 1, CLASS B

FINISH:

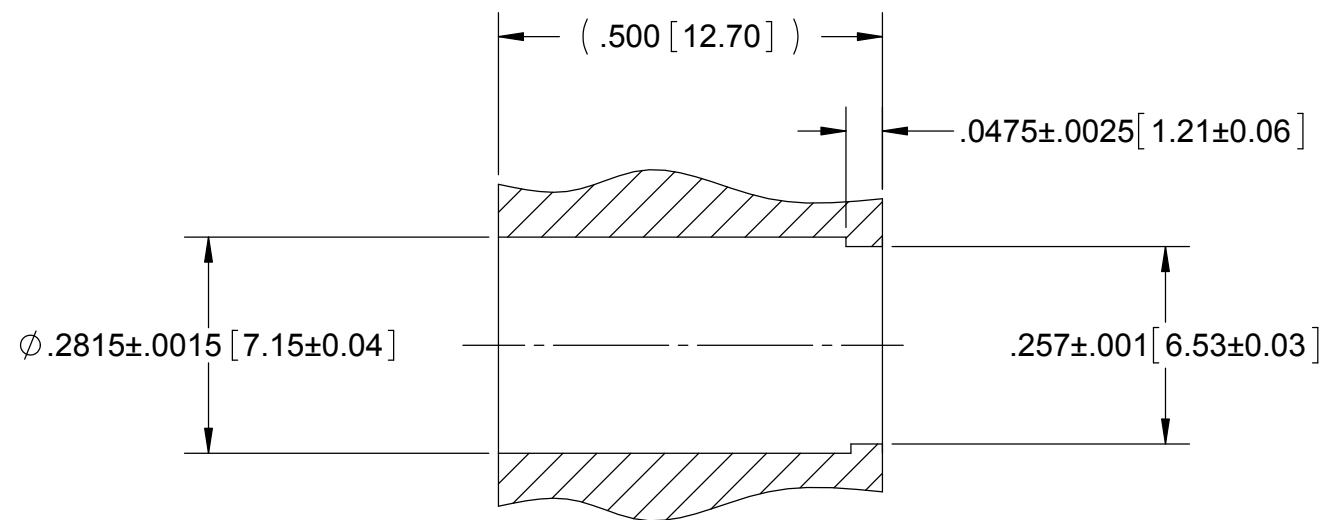
BODY, INSERT, SPRING CLIP, CONTACTS, SHIM SPRING: GOLD PER ASTM B488, TYPE II, CODE C, CLASS 1.27; OVER NICKEL PER AMS-QQ-N-290, CLASS 1, .00005 MIN.

COIL SPRING: ZINC PER ASTM B633

E-RING: PASSIVATED PER AMS-QQ-P-35, TYPE II

PERFORMANCE:

IMPEDANCE: 50 OHMS
FREQ. RANGE: DC TO 28.0 GHz



MOUNTING HOLE

NOTES:
 1. ACCEPTS .085 SEMI-RIGID CABLE OR T-FLEX 405 CABLE.

MATERIAL: SEE ABOVE	DIMENSIONS ARE IN INCHES TOLERANCES: FRACTIONAL: $\pm 1/64$ ANGULAR: X° $\pm 1'0''$ X°X' $\pm 15''$	UNLESS OTHERWISE SPECIFIED 1) ALL DIMENSIONS ARE AFTER PLATING. 2) BREAK CORNERS & EDGES .005 R. MAX. 3) CHAM. 1ST & LAST THREADS. 4) SURFACE ROUGHNESS 63 S MIL-STD-10. 5) DIA.'S ON COMMON CENTERS TO BE CONCENTRIC WITHIN .005 T.I.R. 6) REMOVE ALL BURRS	SV Microwave, Inc. 2400 Centrepark West Drive, Suite 100 West Palm Beach, FL 33409 TITLE: BMMA JACK FLOAT MOUNT
FINISH: SEE ABOVE	DECIMAL: X $\pm .030$.XX $\pm .010$.XXX $\pm .005$	INTERPRET DIMENSIONS AND TOLERANCES PER ASME Y14.5M - 1994	
SURFACE AREA: N/A	THIRD ANGLE PROJECTION	DRAWN: VMJ 02/12/99	SIZE: B CAGE CODE: 95077 DWG. NO.: 1440-6001
PROPRIETARY THE INFORMATION CONTAINED IN THIS DRAWING IS THE SOLE PROPERTY OF SV MICROWAVE, INC. ANY REPRODUCTION IN PART OR AS A WHOLE WITHOUT THE WRITTEN PERMISSION OF SV MICROWAVE, INC IS PROHIBITED.		CHECKED: JM 02/14/99	SCALE: 4:1 SHEET 1 OF 1
		APPROVED: JM 02/14/99	

X-ON Electronics

Largest Supplier of Electrical and Electronic Components

Click to view similar products for [RF Connectors / Coaxial Connectors](#) category:

Click to view products by [Amphenol](#) manufacturer:

Other Similar products are found below :

[8915-1511-000](#) [89674-0827](#) [6001-7071-019](#) [6002-7051-003](#) [6002-7551-202](#) [6059674-1](#) [619550-1](#) [630059-000](#) [M39030/3-01N](#) [M3933/25-36N](#) [6500-7071-046](#) [6769](#) [CX050L2AQ](#) [7002-1542-011](#) [7004-1512-000](#) [7009-1511-004](#) [7010-1511-000](#) [7029-1511-060](#) [7101-1541-010](#) [7101-1571-002](#) [7105-1521-002](#) [7145-1521-002](#) [7203-1571-003](#) [7209-1511-011](#) [7210-1511-015](#) [7210-1511-019](#) [73137-5015](#) [73216-2241](#) [7325-1512-000](#) [73404-2300](#) [7405-1521-005](#) [7405-1521-802](#) [7406-1521-005](#) [8527](#) [8547](#) [FS11V](#) [8808-1511-001](#) [9049-9513-000](#) [9074-9513-000](#) [9101-9573-002](#) [910A205F](#) [9130-9573-002](#) [PL11SC-026](#) [PL375-33](#) [PL40-5](#) [PL71-9](#) [PL74C-221](#) [PL75MC-217](#) [PL803-7](#) [980-8666-005](#)