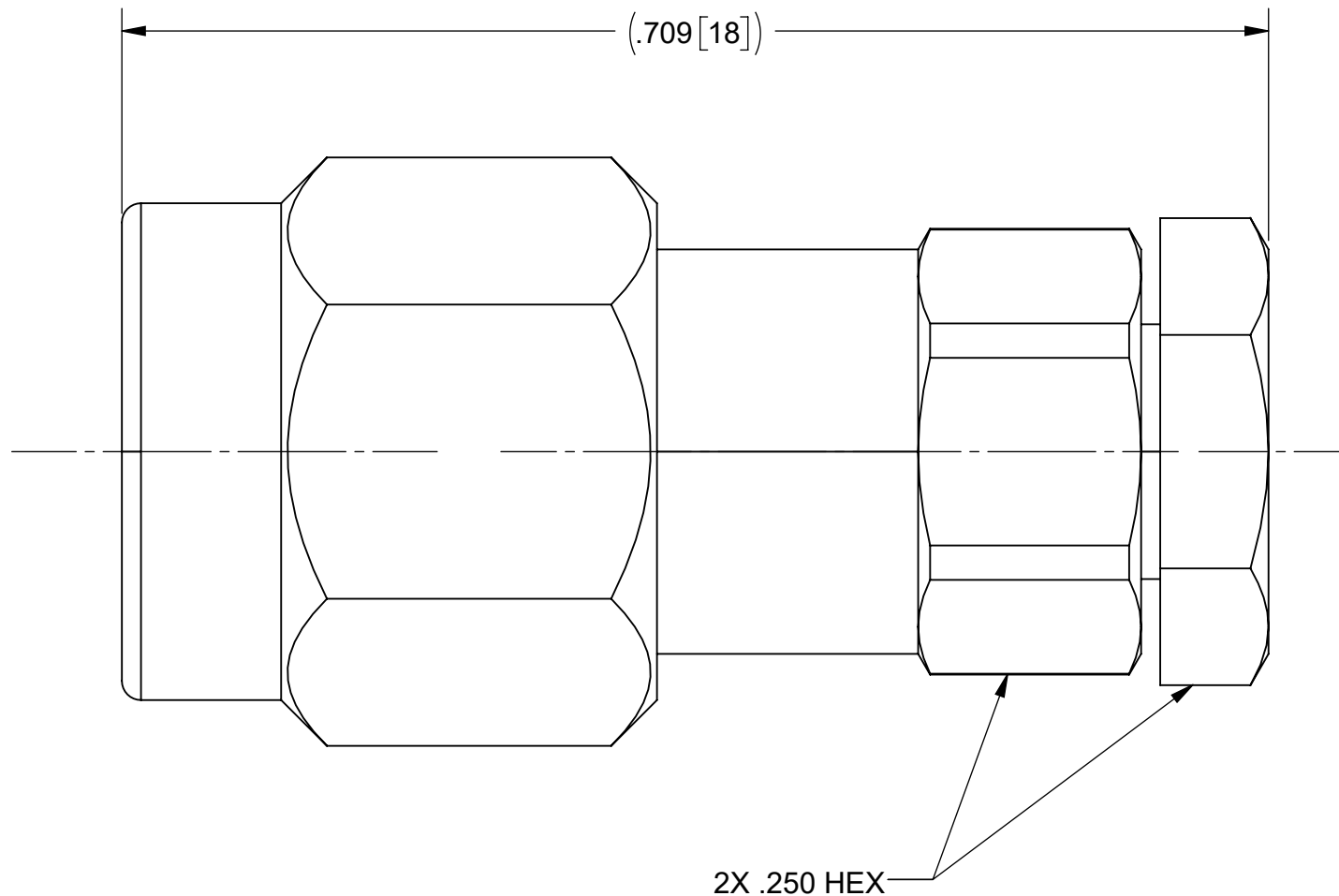
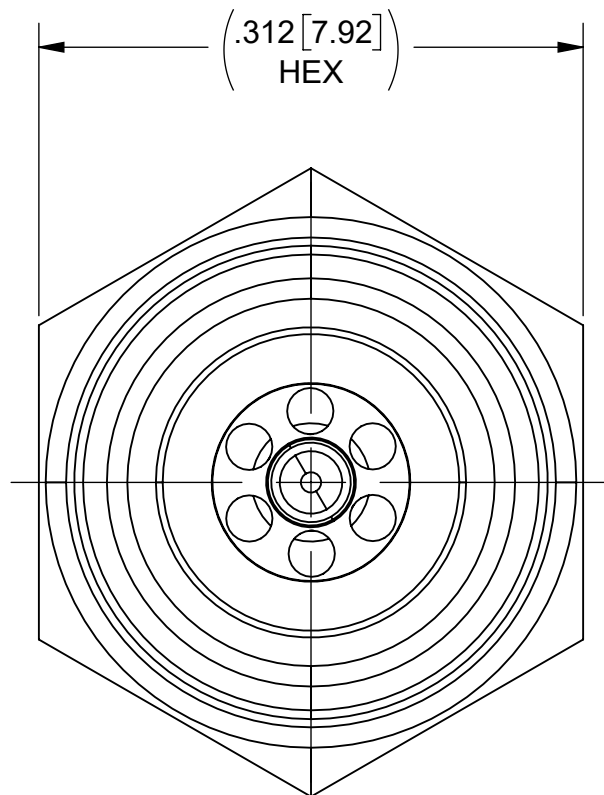
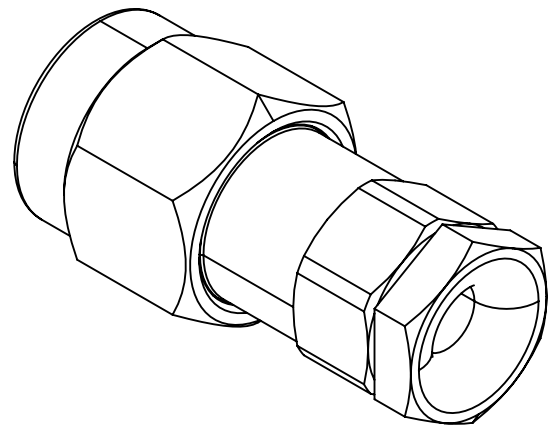


PRODUCT DATA DRAWING

REVISION HISTORY			
REV	DESCRIPTION	DATE	APPROVED
A	NRN 46738	04/22	SEE PDM



MATERIAL	
BODY, COUPLING NUT, CLAMP NUT, INSERT	ALUMINUM
CONTACT, LOCK RING	BERYLLIUM COPPER
FERRULE	BRASS
INSULATOR	ULTEM 1000

FINISH	
BODY, COUPLING NUT, CLAMP NUT, CONTACT, INSERT, FERRULE	GOLD OVER NICKEL

MATERIAL:	SEE NOTES
FINISH:	SEE NOTES
SURFACE AREA:	N/A
PROPRIETARY	
<small>THE INFORMATION CONTAINED IN THIS DRAWING IS THE SOLE PROPERTY OF SV MICROWAVE, INC. ANY REPRODUCTION IN PART OR AS A WHOLE WITHOUT THE WRITTEN PERMISSION OF SV MICROWAVE, INC IS PROHIBITED.</small>	

DIMENSIONS ARE IN INCHES TOLERANCES:	
FRACTIONAL: $\pm 1/64$	ANGULAR: X° $\pm 1'0''$ X°X' $\pm 15''$
DECIMAL: X $\pm .030$.XX $\pm .010$
	.XXX $\pm .005$
<small>INTERPRET DIMENSIONS AND TOLERANCES PER ASME Y14.5M - 1994</small>	
THIRD ANGLE PROJECTION	

UNLESS OTHERWISE SPECIFIED	
<small>1) ALL DIMENSIONS ARE IN INCHES (MILLIMETERS) 2) ALL DIMENSIONS ARE AFTER PLATING. 3) BREAK CORNERS & EDGES .005 R. MAX. 4) CHAM. 1ST & LAST THREADS. 5) SURFACE ROUGHNESS 63-MIL-STD-10. 6) DIA: 'S ON COMMON CENTERS TO BE CONCENTRIC WITHIN T.I.R. 7) REMOVE ALL BURRS</small>	
DRAWN:	JPM 04/27/2022
CHECKED:	SEE PDM
APPROVED:	SEE PDM

TITLE: STR. M 2.92mm FOR STD FLEXTRA CABLE	
SIZE	DWG. NO. 1511-80001
B	
SCALE: 9:1	SHEET 1 OF 1

PERFORMANCE	
IMPEDANCE	50 OHMS
FREQ. RANGE	DC TO 40.0 GHZ

X-ON Electronics

Largest Supplier of Electrical and Electronic Components

Click to view similar products for [RF Connectors / Coaxial Connectors](#) category:

Click to view products by [Amphenol](#) manufacturer:

Other Similar products are found below :

[89674-0827](#) [6059674-1](#) [630059-000](#) [6501-1071-002](#) [6769](#) [7002-1541-010](#) [7002-1572-002](#) [7004-1512-000](#) [7009-1511-004](#) [7101-1541-010](#)
[7101-1571-002](#) [7105-1521-002](#) [7203-1571-003](#) [7209-1511-011](#) [7210-1511-040](#) [7242-1511-000](#) [7405-1521-005](#) [7405-1521-802](#)
[804S01D04M040](#) [8527](#) [8547](#) [FS11V](#) [877931](#) [8808-1511-001](#) [9049-9513-000](#) [9074-9513-000](#) [PL11C-026](#) [PL40-36](#) [9408-1113-000](#) [980-](#)
[8666-005](#) [11 SMA-50-2-6 / 111 NE](#) [11 SMA-50-3-6 / 111 NE](#) [1-201144-1](#) [120919](#) [R107003010W](#) [R112186000](#) [R113053000W](#) [R113082097](#)
[R113236000](#) [R114083000](#) [R114670000W](#) [R123415000W](#) [R124076320](#) [R124076450](#) [R124175123](#) [R125075000W](#) [R125075001](#)
[R125172000W](#) [R125415030](#) [R141007161](#)