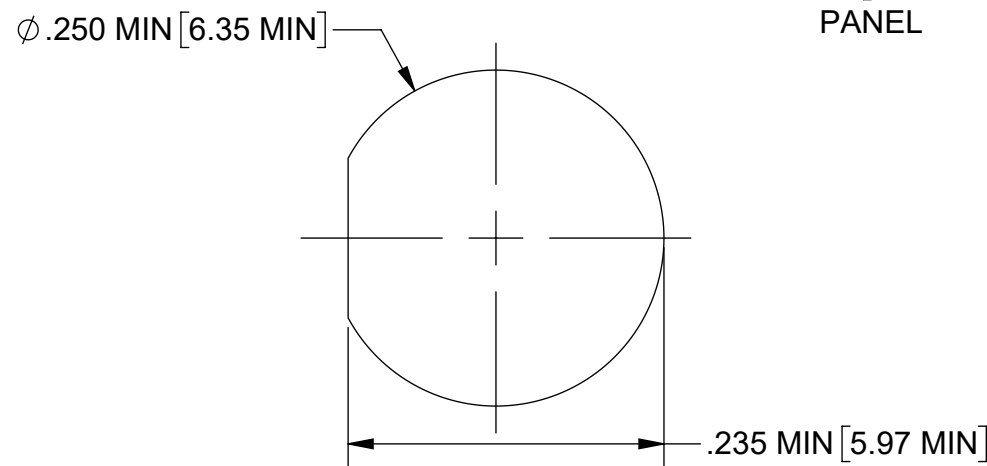
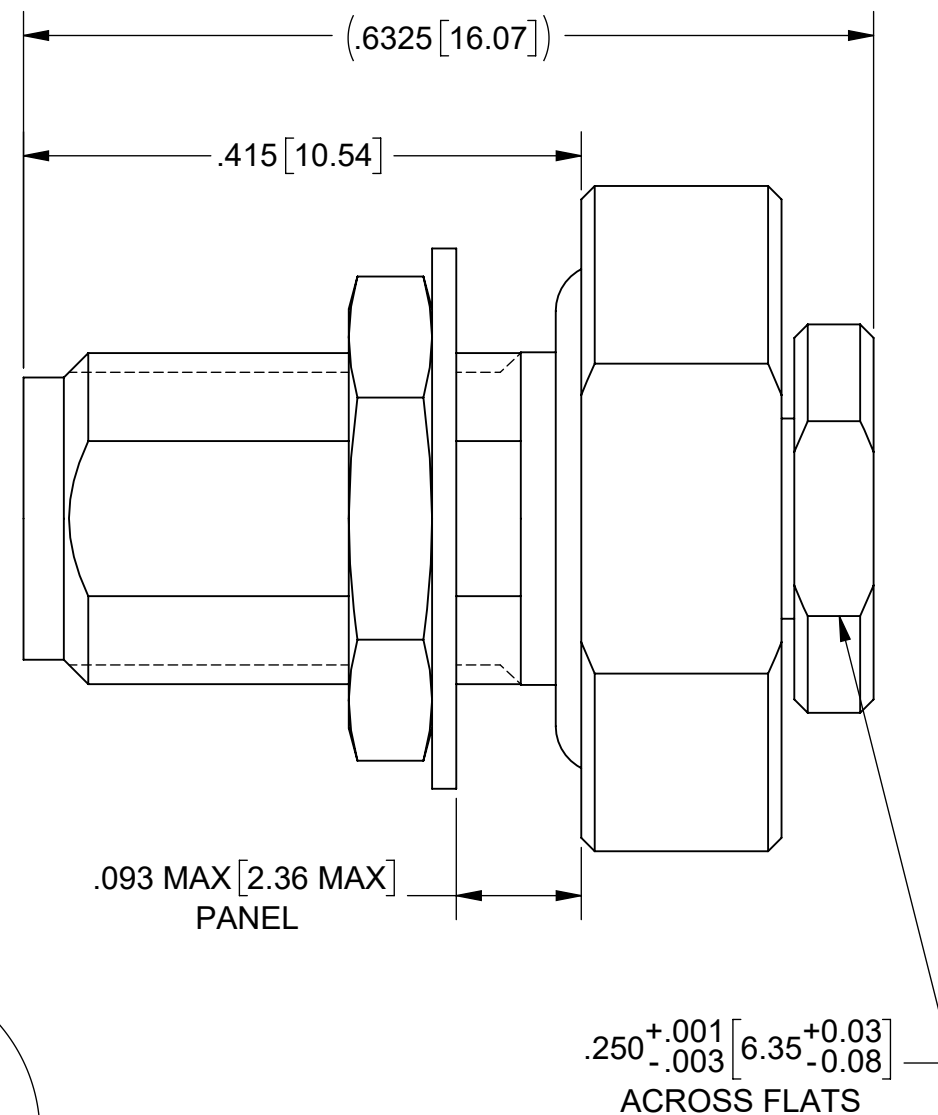
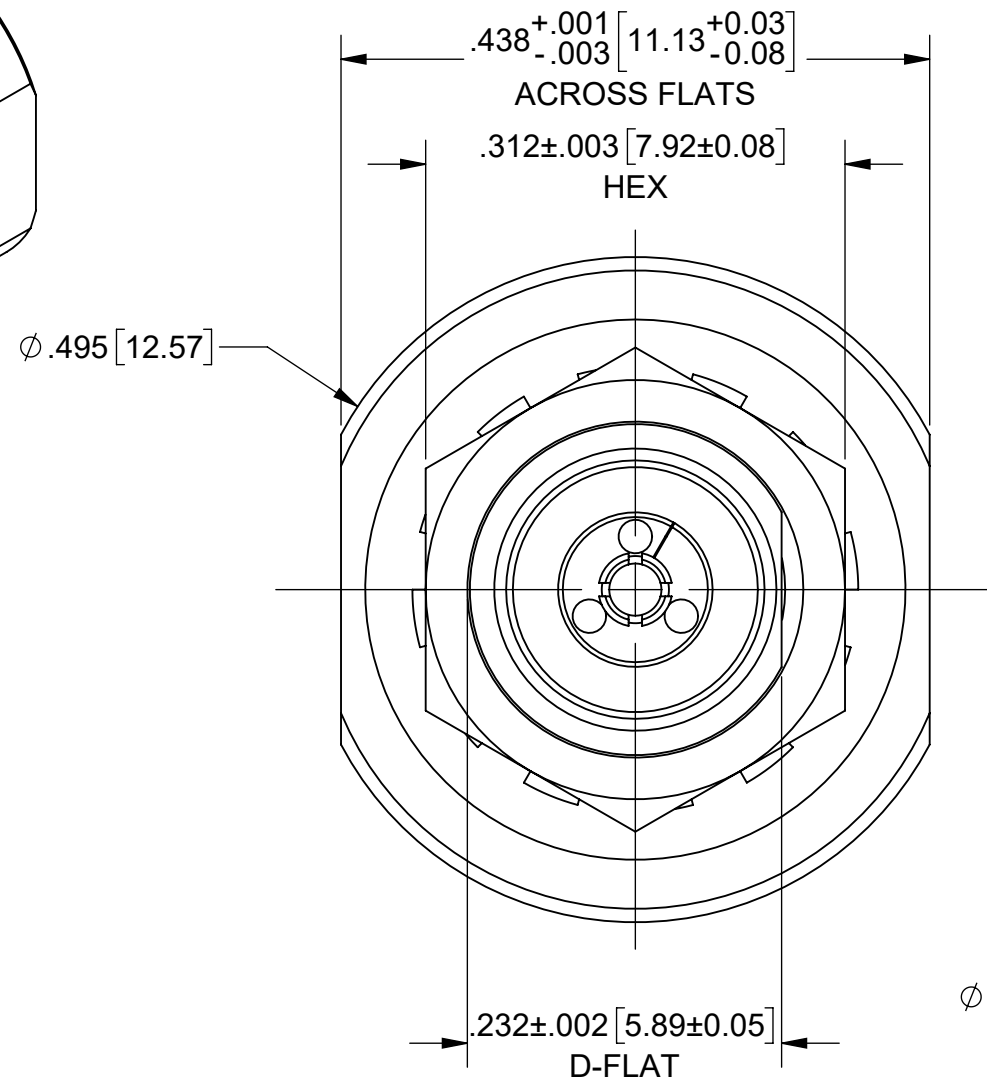
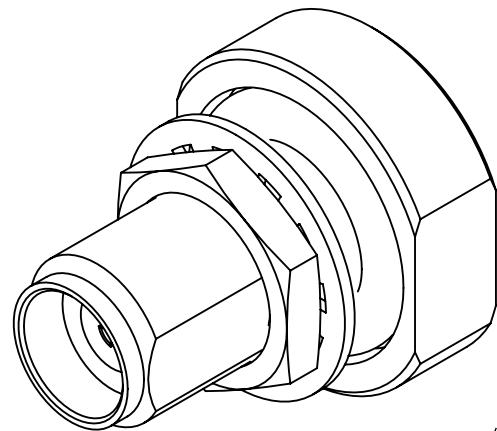


PRODUCT DATA DRAWING

| REVISION HISTORY | | | |
|------------------|-------------|-------|----------|
| REV | DESCRIPTION | DATE | APPROVED |
| - | NRN 46705 | 04/22 | SEE PDM |
| A | DCN 51622 | 05/22 | |



RECOMMENDED MOUNTING HOLE

| MATERIAL | |
|----------------------------------|------------------|
| BODY, INSERT, HEX NUT, CLAMP NUT | ALUMINUM |
| INSULATOR | PTFE |
| CONTACT, FERRULE | BERYLLIUM COPPER |
| O-RING | VITON |
| LOCK WASHER | STAINLESS STEEL |

| FINISH | |
|--|-----------------------------|
| BODY, HEX NUT, CLAMP NUT, CONTACT, FERRULE | GOLD OVER NICKEL |
| INSERT | CHEMICAL CONVERSION COATING |
| LOCK WASHER | PASSIVATED |

| PERFORMANCE | |
|-------------|----------------|
| IMPEDANCE | 50 OHMS |
| FREQ. RANGE | DC TO 40.0 GHZ |

MATERIAL: SEE NOTES
 FINISH: SEE NOTES
 SURFACE AREA: N/A
PROPRIETARY
 THE INFORMATION CONTAINED IN THIS DRAWING IS THE SOLE PROPERTY OF SV MICROWAVE, INC. ANY REPRODUCTION IN PART OR AS A WHOLE WITHOUT THE WRITTEN PERMISSION OF SV MICROWAVE, INC IS PROHIBITED.

DIMENSIONS ARE IN INCHES TOLERANCES:
 FRACTIONAL: ±1/64 ANGULAR: X° ±1'0" X'X' ±15'
 DECIMAL: X ±.030
 .XX ±.010
 .XXX ±.005
 INTERPRET DIMENSIONS AND TOLERANCES PER ASME Y14.5M - 1994
THIRD ANGLE PROJECTION

UNLESS OTHERWISE SPECIFIED
 1) ALL DIMENSIONS ARE IN INCHES (MILLIMETERS)
 2) ALL DIMENSIONS ARE AFTER PLATING.
 3) BREAK CORNERS & EDGES .005 R. MAX.
 4) CHAM. 1ST & LAST THREADS.
 5) SURFACE ROUGHNESS 63-MIL-STD-10.
 6) DIA: 'S ON COMMON CENTERS TO BE CONCENTRIC WITHIN .005 T.I.R.
 7) REMOVE ALL BURRS
 DRAWN: JPM 04/13/22
 CHECKED: SEE PDM
 APPROVED: SEE PDM

SV MICROWAVE Amphenol
 www.svmicrowave.com
 TITLE: 2.9MM STR. F CONNECTOR FOR STANDARD FLEXTRA CABLE
 SIZE DWG. NO. **B** 1521-80001
 SCALE: 7:1 SHEET 1 OF 1

X-ON Electronics

Largest Supplier of Electrical and Electronic Components

Click to view similar products for [RF Connectors](#) / [Coaxial Connectors](#) category:

Click to view products by [Amphenol](#) manufacturer:

Other Similar products are found below :

[89674-0827](#) [6059674-1](#) [630059-000](#) [6501-1071-002](#) [6769](#) [7002-1541-010](#) [7002-1572-002](#) [7004-1512-000](#) [7009-1511-004](#) [7101-1541-010](#)
[7101-1571-002](#) [7105-1521-002](#) [7203-1571-003](#) [7209-1511-011](#) [7210-1511-040](#) [7242-1511-000](#) [7405-1521-005](#) [7405-1521-802](#)
[804S01D04M040](#) [8527](#) [8547](#) [FS11V](#) [877931](#) [8808-1511-001](#) [9049-9513-000](#) [9074-9513-000](#) [PL11C-026](#) [PL40-36](#) [9408-1113-000](#) [980-](#)
[8666-005](#) [11 SMA-50-2-6 / 111 NE](#) [11 SMA-50-3-6 / 111 NE](#) [1-201144-1](#) [120919](#) [R107003010W](#) [R112186000](#) [R113053000W](#) [R113082097](#)
[R113236000](#) [R114083000](#) [R114670000W](#) [R123415000W](#) [R124076320](#) [R124076450](#) [R124175123](#) [R125075000W](#) [R125075001](#)
[R125172000W](#) [R125415030](#) [R141007161](#)