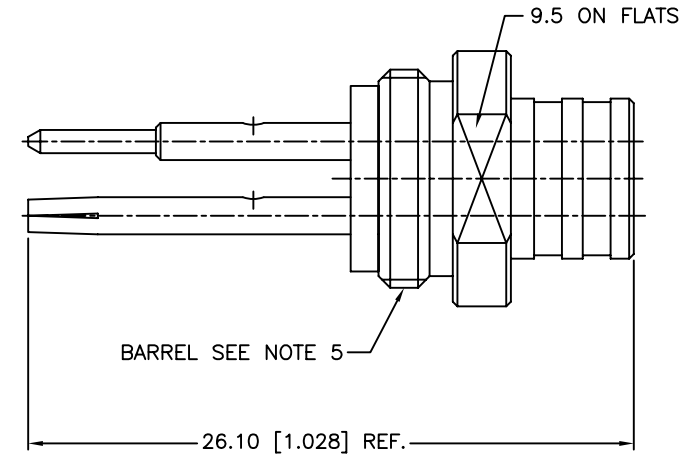
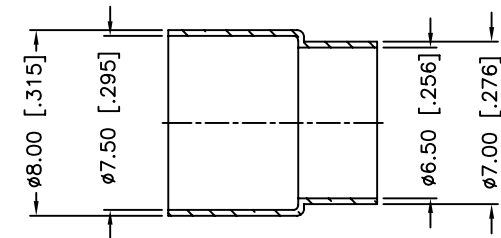
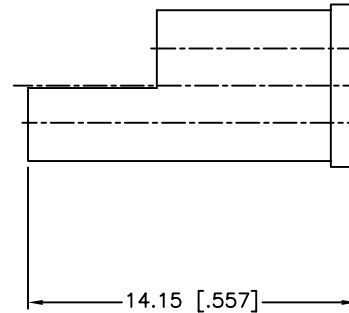
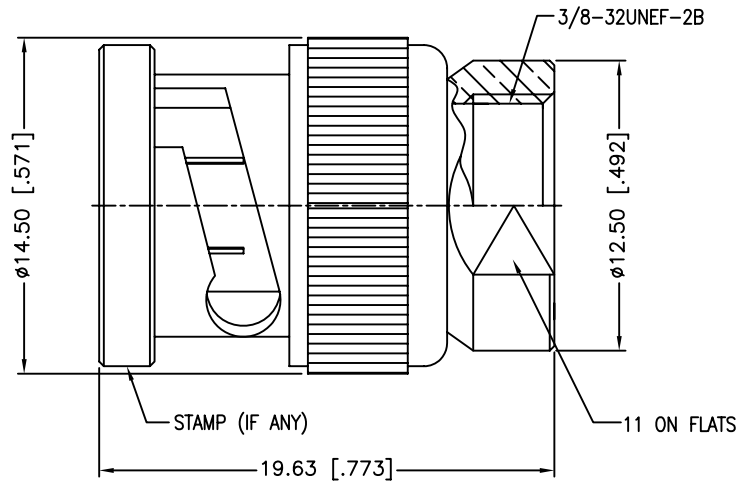


| REV. | DATE     | ECR NO. | DESCRIPTION   |
|------|----------|---------|---|
| NC   | 11/21/11 | XXXXXX  | INITIAL RELEASE   |
| A    | 10/18/12 | 2397    | THE BARREL CHANGED TO INCREASE INSULATOR RETENTION & REVISE PACKAGING |



NOTES:

- CRIMPED FERRULE  
HEX. CRIMP SIZE .278"
- SOLDER CENTER CONTACTS
- DIELECTRIC WITHSTANDING VOLTAGE: 500 VRMS, MIN.
- INTERFACE PER 349-50551 SEC.102 AFTER ASSEMBLY.
- BARREL MUST ROTATE WITH A 5 ~ 20 IN.-LBS. TORQUE.
- INSULATOR MUST WITHSTAND A PULL-FORCE OF 6 LBS MIN.
- PACKAGING:
  - 600 PCS OF THE FERRULE IN ITS OWN BAG
  - 600 PCS OF THE CONNECTOR HOUSING IN ITS OWN TRAY,  
40 PCS WILL BE PACKAGED PER EACH TRAY
  - 600 PCS OF THE DIELECTRIC IN ITS OWN BAG
  - 600 PCS OF THE CONTACT INSERT WITH RED GASKET INSTALLED IN ITS OWN TRAY  
40 PCS WILL BE PACKAGED PER EACH TRAY

| QTY | DESCRIPTION   | MATERIAL        | FINISH |
|-----|---------------|-----------------|--------|
| 1   | FERRULE       | BRASS           | NICKEL |
| 1   | BARREL        | BRASS           | NICKEL |
| 1   | INSULATOR     | PBT             | WHITE  |
| 1   | GASKET        | SILICONE        | RED    |
| 1   | CONTACT PIN   | PHOSPHOR BRONZE | GOLD   |
| 1   | CONTACT PIN   | BRASS           | GOLD   |
| 1   | INSULATOR     | PBT             | WHITE  |
| 1   | WASHER        | BRASS           | NICKEL |
| 1   | SPRING        | BER. COPPER     | NICKEL |
| 1   | RETAINER RING | BRASS           | NICKEL |
| 1   | GASKET        | RUBBER          | RED    |
| 1   | BODY          | BRASS           | NICKEL |
| 1   | SHELL         | BRASS           | NICKEL |

UNLESS OTHERWISE SPECIFIED DIMENSIONS ARE IN MILLIMETERS. DIMENSIONS IN [ ] ARE IN INCHES AND FOR CUSTOMER REFERENCE ONLY.

UNLESS OTHERWISE SPECIFIED TOLERANCES FOR MILLIMETERS ARE:  
 0.5 - 8mm ± 0.20mm  
 8 - 30mm ± 0.40mm  
 30 - 120mm ± 0.50mm

UNLESS OTHERWISE SPECIFIED TOLERANCES FOR INCHES ARE:  
 .020 - .315 = ± 0.007"  
 .315 - 1.180 = ± 0.015"  
 1.180 - 4.724 = ± 0.020"

DO NOT SCALE DRAWING

| APPROVALS     | DATE                  |
|---------------|-----------------------|
| DRAWN M.ZHANG | 10/18/12              |
| CHECKED       |                       |
| ISSUED        |                       |
| SHEET 1 OF 1  |                       |
| CAD FILE      | C:/CONNEX/162108B.DWG |

**Amphenol Connex**

PART DESCRIPTION  
**BNC TWIN PLUG  
(FOR RG-108A/U CABLE)**

PART NO. **162108B**

|                      |        |        |          |
|----------------------|--------|--------|----------|
| DWG. NO. 162108B.DWG | REV. A | SIZE A | SCALE NA |
|----------------------|--------|--------|----------|

## X-ON Electronics

Largest Supplier of Electrical and Electronic Components

*Click to view similar products for [RF Connectors / Coaxial Connectors](#) category:*

*Click to view products by [Amphenol](#) manufacturer:*

Other Similar products are found below :

[8915-1511-000](#) [89674-0827](#) [6001-7071-019](#) [6002-7051-003](#) [6002-7551-202](#) [6059674-1](#) [619550-1](#) [630059-000](#) [M39030/3-01N](#) [M3933/25-36N](#) [6500-7071-046](#) [6769](#) [CX050L2AQ](#) [7002-1542-011](#) [7004-1512-000](#) [7009-1511-004](#) [7010-1511-000](#) [7029-1511-060](#) [7101-1541-010](#) [7101-1571-002](#) [7105-1521-002](#) [7145-1521-002](#) [7203-1571-003](#) [7209-1511-011](#) [7210-1511-015](#) [7210-1511-019](#) [73137-5015](#) [73216-2241](#) [7325-1512-000](#) [73404-2300](#) [7405-1521-005](#) [7405-1521-802](#) [7406-1521-005](#) [8527](#) [8547](#) [FS11V](#) [8808-1511-001](#) [9049-9513-000](#) [9074-9513-000](#) [9101-9573-002](#) [910A205F](#) [9130-9573-002](#) [PL11SC-026](#) [PL375-33](#) [PL40-5](#) [PL71-9](#) [PL74C-221](#) [PL75MC-217](#) [PL803-7](#) [980-8666-005](#)