

NOTES:

1. MATERIALS AND FINISHES:

- HEX NUT - BRASS, NICKEL PLATING
- LOCK WASHER - BRASS, NICKEL PLATING
- BODY - BRASS, NICKEL PLATING
- CONTACT - BRASS & PHOSPHOR BRONZE, GOLD PLATING
- INSULATOR - PBT, WHITE

2. ELECTRICAL:

- A. DIELECTRIC WITHSTANDING VOLTAGE: 1500 VRMS, MIN.

3. MECHANICAL:

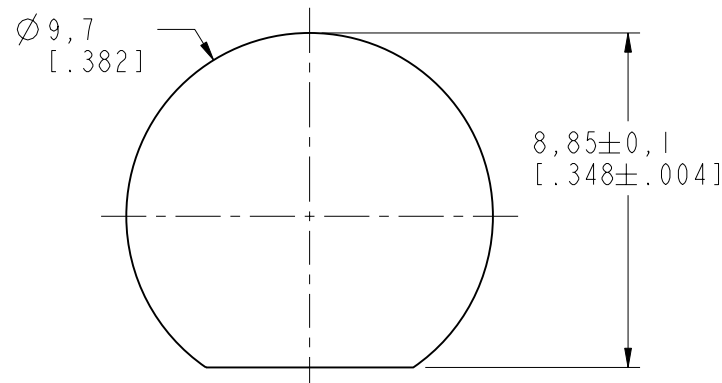
- A. TEMPERATURE RANGE: -40°C TO 60°C
- B. INSULATORS MUST WITHSTAND A 2 IN-LBS MIN. TORQUE

4. INTERFACE PER 349-50551 SEC.102 AFTER ASSEMBLY.

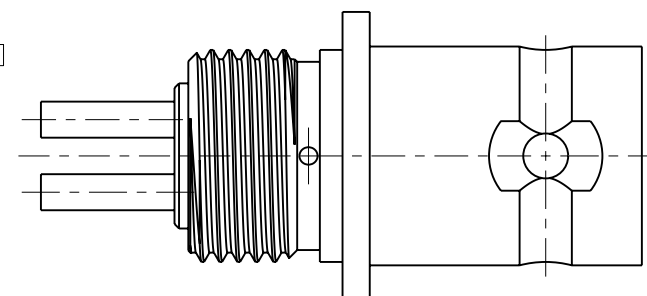
THIRD ANGLE PROJ.

REVISIONS

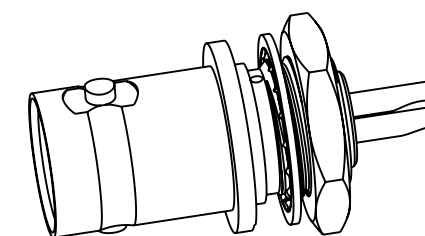
REV	DESCRIPTION	DATE	ECO	APPR
NC	INITIAL RELEASE	31-May-07	-----	GRS
D	SYNC, ADDED STAKE\RD-DMI6031101M	16-Mar-16	00121	SH
E	NO CHANGE IN THIS SHEET	22-Aug-18	08921	SH
F	REMOVED THE STAMP	28-Aug-18	08967	SH



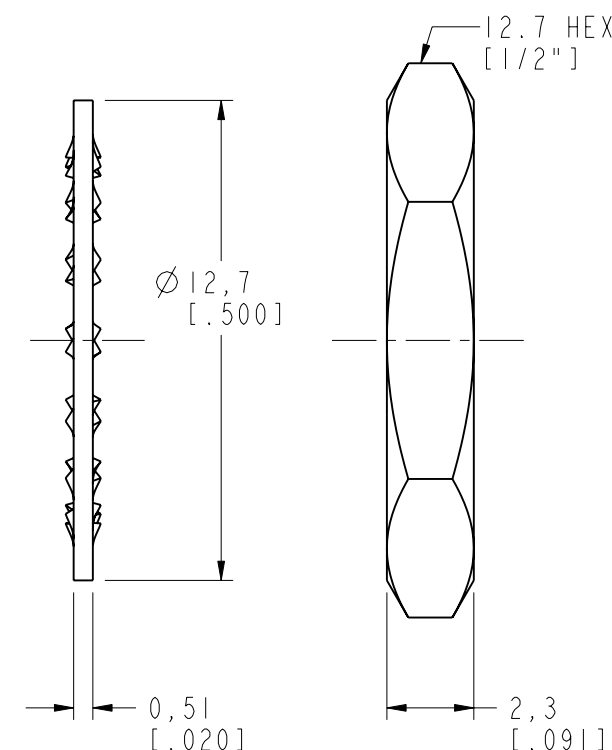
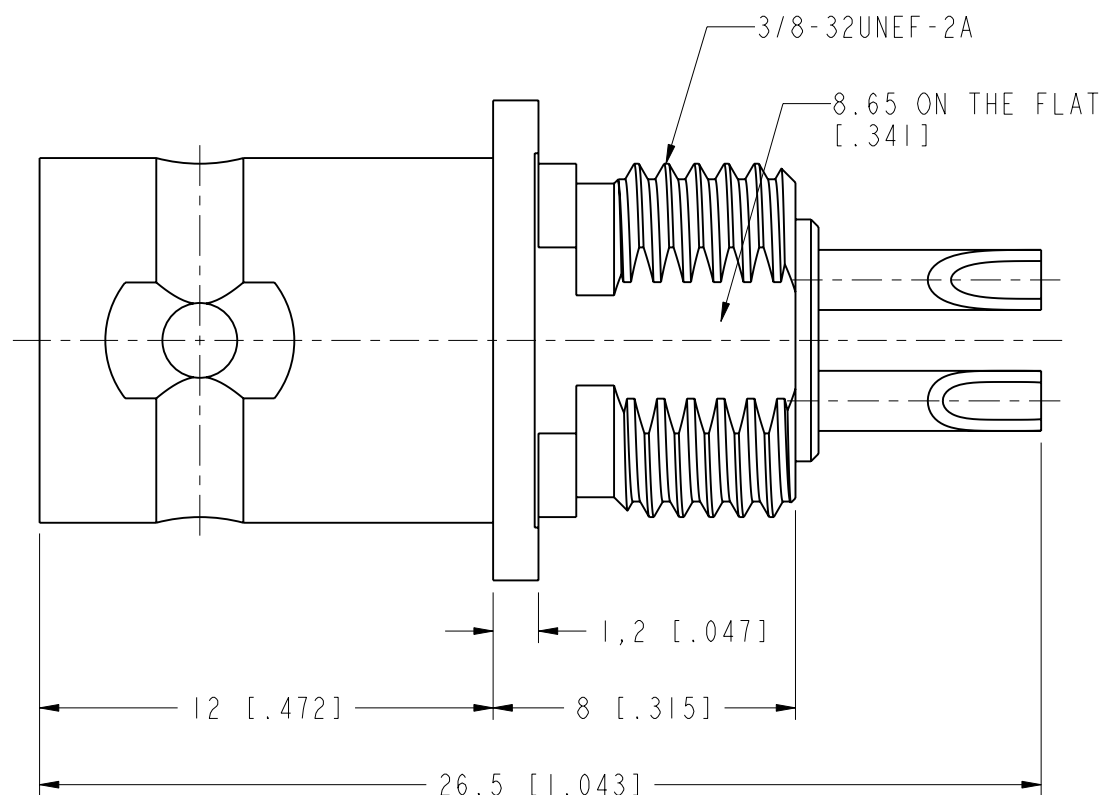
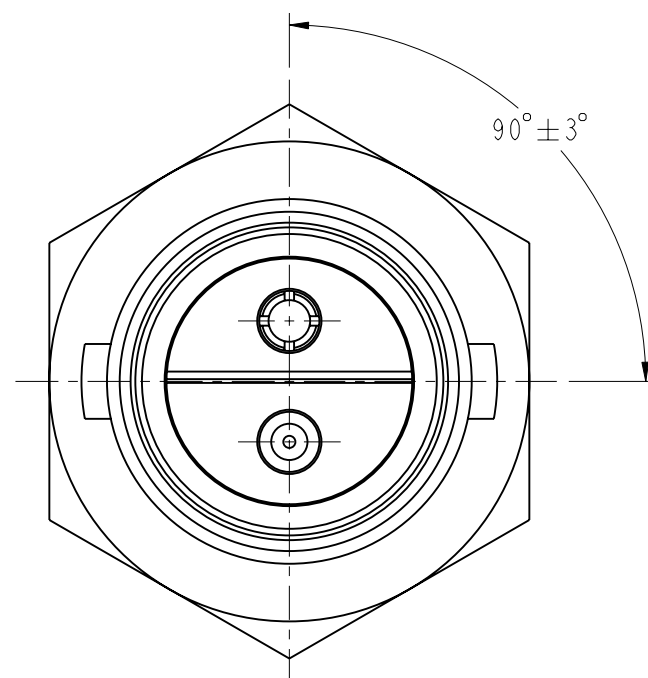
RECOMMENDED MOUNTING HOLE



SCALE 3.000



SCALE 2.000



CUSTOMER OUTLINE DRAWING

ALL OTHER SHEETS ARE FOR INTERNAL USE ONLY

UNLESS OTHERWISE SPECIFIED, DIMENSIONS ARE IN METRIC AND TOLERANCES ARE: <0.5mm ± 0.05mm 0.5 - 6mm ± 0.1mm 6 - 30mm ± 0.2mm 30 - 120mm ± 0.3mm ANGLES ± 1°
NOTICE - These drawings, specifications, or other data (1) are, and remain the property of Amphenol corp. (2) must be returned upon request; and (3) are confidential and not to be disclosed to any person other than those to whom they are given by Amphenol Corp. the furnishing of these drawings, specifications, or other data by Amphenol Corp., or to any other person to anyone for any purpose is not to be regarded by implication or otherwise in any manner licensing, granting rights to permitting such holder or any other person to manufacture, use or sell any product, process or design, patented or otherwise, that may in any way be related to or disclosed by said drawings, specifications, or other data.

MATERIAL	DRAWN STAR	DATE 28-Aug-18
REFERENCE AND CONFIGURATION LEVEL: In Work	ENGINEER S.HSIEH	DATE 06-Jan-09
FINISH	APPROVED S.HSIEH	DATE 29-Aug-18
	CAD FILE	

TITLE	BNC TWIN BULKHEAD RECEPT. JACK
SCALE: 5.0:1.0	SHEET 2 OF 2
DWG SIZE B	REV F

Amphenol RF	
www.amphenolrf.com	
DRAWING NO. TWB6351B1-NPB3G	
ITEM NO. 246351AAA01MA0F	
PART NO. 162109	

Amphenol RF	
www.amphenolrf.com	
DRAWING NO. TWB6351B1-NPB3G	
ITEM NO. 246351AAA01MA0F	
PART NO. 162109	

X-ON Electronics

Largest Supplier of Electrical and Electronic Components

Click to view similar products for [RF Connectors / Coaxial Connectors](#) category:

Click to view products by [Amphenol](#) manufacturer:

Other Similar products are found below :

[8915-1511-000](#) [89674-0827](#) [6001-7071-019](#) [6002-7051-003](#) [6002-7551-202](#) [6059674-1](#) [619550-1](#) [630059-000](#) [M39030/3-01N](#) [M3933/25-36N](#) [6500-7071-046](#) [6769](#) [CX050L2AQ](#) [7002-1542-011](#) [7004-1512-000](#) [7009-1511-004](#) [7010-1511-000](#) [7029-1511-060](#) [7101-1541-010](#) [7101-1571-002](#) [7105-1521-002](#) [7145-1521-002](#) [7203-1571-003](#) [7209-1511-011](#) [7210-1511-015](#) [7210-1511-019](#) [73137-5015](#) [73216-2241](#) [7325-1512-000](#) [73404-2300](#) [7405-1521-005](#) [7405-1521-802](#) [7406-1521-005](#) [8527](#) [8547](#) [FS11V](#) [8808-1511-001](#) [9049-9513-000](#) [9074-9513-000](#) [9101-9573-002](#) [910A205F](#) [9130-9573-002](#) [PL11SC-026](#) [PL375-33](#) [PL40-5](#) [PL71-9](#) [PL74C-221](#) [PL75MC-217](#) [PL803-7](#) [980-8666-005](#)