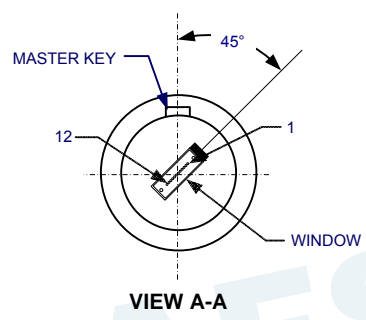
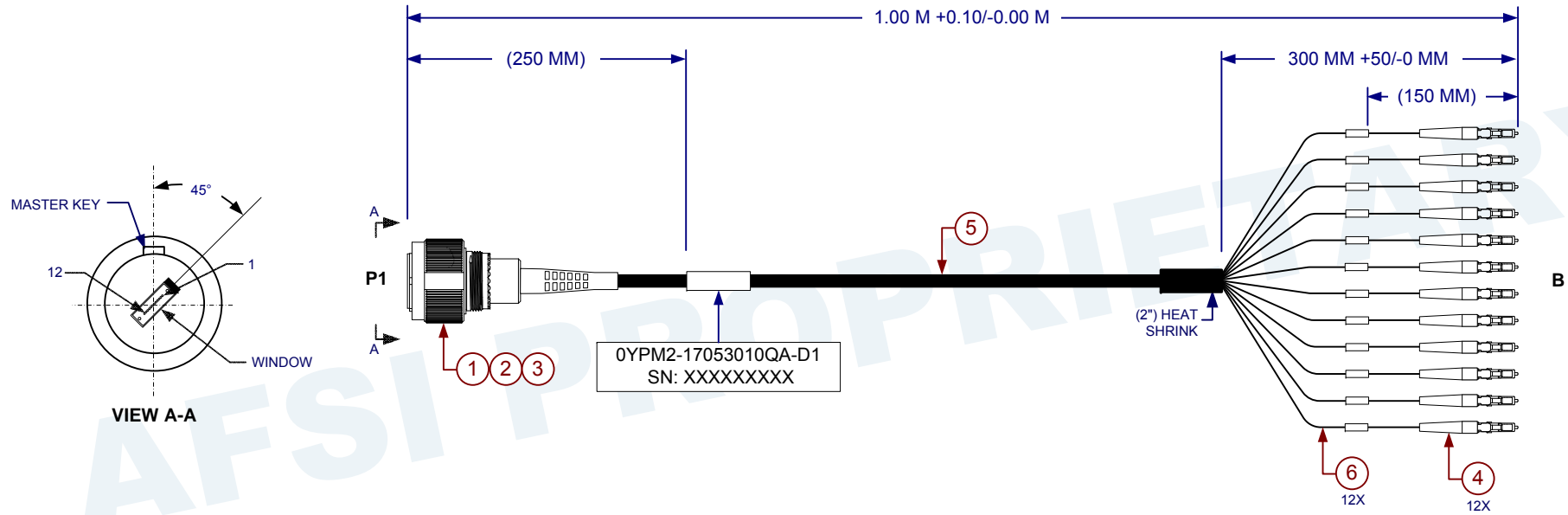


NOTES:

- 1) LABEL REQUIREMENT:
LABELS ARE M23053/5 ,WHITE. ACCEPTABLE SUBSTITUTION IS DAT-38-292 OR TRANSVINYL (DAT-63-292-2.5).
- 2) ASSEMBLY REQUIREMENT:
 - ASSEMBLY CAN BE BUILT AS SUB-ASSEMBLY PN 17053010D1-SUB USING ITEM 2, 3, 4, 5, 6.
 - DEPICTION OF ITEM 1, & 3 IS FOR REFERENCE ONLY.
- 3) TEST REQUIREMENT:
 - a. $IL \leq 1.0 \text{ dB @ } 850 \text{ nm}$.
 - b. ENDFACE GEOMETRY:
 - PHYSICAL CONTACT PC: GR-326 BUT FIBER HEIGHT +/-50 nm
 - MT ENDFACE: EN-50377-15-1
 - c. ENDFACE VISUAL REQUIREMENT: PHYSICAL CONTACT PC: IEC-61300-3-35

REVISION HISTORY -- ALL SHEETS ARE AT THE SAME REVISION			
REV	DESCRIPTION	DATE	APPROVED
-	INITIAL RELEASE	2017/11/13	



P1	PINOUT DIAGRAM	B LABEL INFORMATION
1		1
2		2
3		3
4		4
5		5
6		6
7		7
8		8
9		9
10		10
11		11
12		12

7	AFSI-PRE T BOX	BOX, SMALL FIBER CABLE 10X10X2 W/AFSI GRAPHICS	1
6	BSFT0600	FURCATION TUBE, 2MM ID600UM, BLACK	15.5 FEET
5	NFO1253M3-12	12 CHANNEL LITE FLIGHT	3.78 FEET
4	931-251-251	SIMPLEX LC CONNECTOR, MM, 2.0MM WHITE SHORT BOOT	12
3	CF-198136-000	MALE MT MOUNTING KIT	1
2	9734	KIT FERRULE 12F MM MT ELITE	1
1	CF-594611-01P	D38999 PLUG SIZE 11, 1 MT INSERT, ODC	1
ITEM NO.	PART NO.	DESCRIPTION	QTY/ LENGTH

MATERIAL:		DFTR/Designer: C. Hoang 2017/04/07					
		Check By: B. Waite 2017/10/24					
		Manufacturing: B. Waite 2017/10/24					
		Market Manager/PLM: Q. Abraham 2017/10/25					
DRILLED HOLE DIAMETER TOLERANCE		Configuration Management: L. Brown 2017/11/13	TITLE: 12 CHANNEL MT38999 PLUG TO LC ASSEMBLY, MM				
DO NOT SCALE DRAWING UNLESS OTHERWISE SPECIFIED DIMENSIONS ARE IN INCHES TOL ON ANGLES ±3° 1 PL ±.1 2 PL ±.02 3 PL ±.010 INTERPRET DIM AND TOL PER ASME 14.5M-1994		This Document contains proprietary information and such information is prohibited from disclosure to others, publication or duplication in whole or in part without written permission from Amphenol Fiber Systems International. Copyright © 2017 Amphenol Fiber Systems International. Non published work. All rights reserved.		SIZE A	CAGE CODE 0YPM2	DWG NO 17053010QA-D1	REV -
NEXT ASSY	USED ON	SCALE: NONE		SHEET 1 OF 1			
APPLICATION							

X-ON Electronics

Largest Supplier of Electrical and Electronic Components

Click to view similar products for [Fibre Optic Cable Assemblies](#) category:

Click to view products by [Amphenol](#) manufacturer:

Other Similar products are found below :

[7-21002-9](#) [760-1518](#) [FA04390-50-M-72-LC-N](#) [MLB 501 V RED](#) [MLB 501 V YELLOW](#) [1-3636-600-5208](#) [2061529-7](#) [1-6693182-0](#)
[1754898-1](#) [21055-6](#) [FXBSCSCE2LM002](#) [3-21053-2](#) [MLB 200/1 V BLACK](#) [MLB 2001 V RED](#) [MLB 2001 V YELLOW](#) [MLB 501 V](#)
[BLACK](#) [5492011-6](#) [106284-7000](#) [5492011-5](#) [5492011-8](#) [5492011-9](#) [8-21007-5](#) [2123524-2](#) [2123524-1](#) [106386-4447](#) [DFSM-SCSC-2M](#)
[2123909-4](#) [2123909-8](#) [106273-0629](#) [2125046-1](#) [2821236-3](#) [2821310-2](#) [2821310-3](#) [2821313-4](#) [FX2ERLNLNSNM0.5](#) [CF-980062-074](#) [CF-](#)
[901200-394](#) [CF-980062-073](#) [CF-980062-071](#) [CF-980062-075](#) [CF-980062-072](#) [17-300310-100](#) [2821236-2](#) [2821313-1](#) [G-FC-FC-S-002.0-DX-](#)
[A-18-Y](#) [G-E2A-E2A-S-003.0-SX-A-18-Y](#) [956-322-502214](#) [FA04474](#) [1111540](#) [1111843](#)