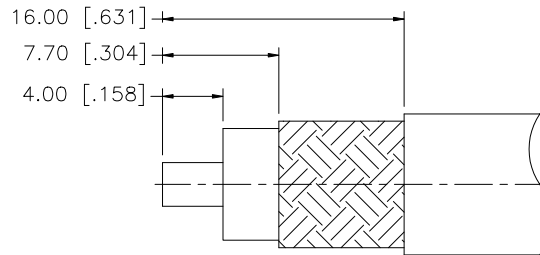
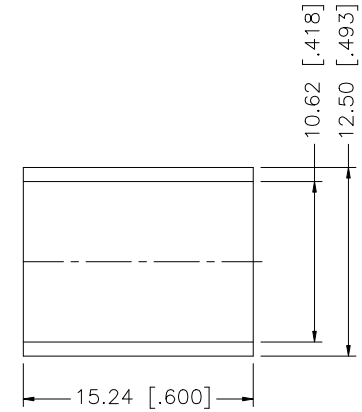
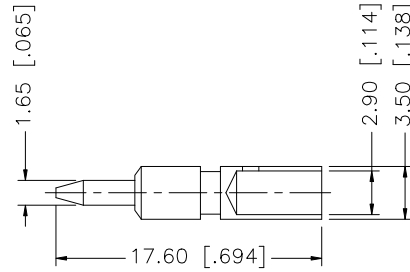
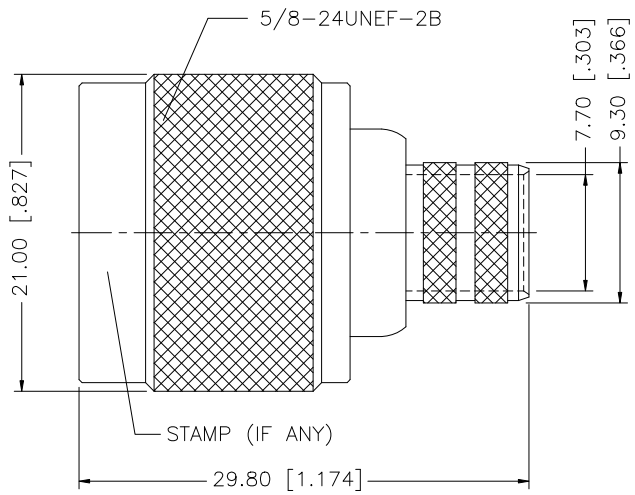


| REV. | DATE | ECR NO. | DESCRIPTION |
|------|----------|---------|---|
| A | 02/08/03 | - | UPDATE DRAWING FORMAT |
| B | 02/23/06 | - | MODIFY FERRULE DIAMETERS |
| C | 05/22/06 | - | MODIFY FERRULE LENGTH |
| D | 05/27/08 | 100021 | REVISE CONTACT PIN (ITEM 5) PLATING TO "GOLD" |



RECOMMENDED
CABLE STRIPPING DIM'S

NOTE:

1. CRIMPED FERRULE HEX CRIMP SIZE .429"
2. CRIMPED CONTACT PIN HEX CRIMP SIZE .118"

| DESCRIPTION | MATERIAL | FINISH | QTY | DO NOT SCALE DRAWING | APPROVALS | DATE | Amphenol Connex | | | | | | | |
|-------------|---------------|----------|---------|----------------------|-----------|-----------------------|-----------------|---|------|---|------|---|-------|----|
| 8 | | | | | DRAWN | G.R.S. | 05/27/08 | PART DESCRIPTION N CRIMP PLUG (FOR LMR400, B9913 CABLE) | | | | | | |
| 7 | | | | | CHECKED | | | | | | | | | |
| 6 | FERRULE | COPPER | NEXCOTE | 1 | ISSUED | | | PART NO. 172102H243 | | | | | | |
| 5 | CONTACT PIN | BRASS | GOLD | 1 | SHEET | 1 OF 1 | | | | | | | | |
| 4 | RETAINER RING | SUS 304 | NATURAL | 1 | CAD FILE | C:/172/172102H243.DWG | DWG. NO. | 172102H243.DWG | REV. | D | SIZE | A | SCALE | NA |
| 3 | GASKET | SILICONE | RED | 1 | | | | | | | | | | |
| 2 | INSULATOR | TEFLON | NATURAL | 1 | | | | | | | | | | |
| 1 | SHELL/BODY | BRASS | NEXCOTE | 1 | | | | | | | | | | |

UNLESS OTHERWISE SPECIFIED DIMENSIONS ARE IN MILLIMETERS. DIMENSIONS IN [] ARE IN INCHES AND FOR CUSTOMER REFERENCE ONLY.

UNLESS OTHERWISE SPECIFIED TOLERANCES FOR MILLIMETERS ARE:
0.5 - 8mm ± 0.20mm
8 - 30mm ± 0.40mm
30 - 120mm ± 0.50mm

UNLESS OTHERWISE SPECIFIED TOLERANCES FOR INCHES ARE:
.020 - .315 = ± 0.007"
.315 - 1.180 = ± 0.015"
1.180 - 4.724 = ± 0.020"

X-ON Electronics

Largest Supplier of Electrical and Electronic Components

Click to view similar products for [RF Connectors / Coaxial Connectors](#) category:

Click to view products by [Amphenol](#) manufacturer:

Other Similar products are found below :

[8915-1511-000](#) [89674-0827](#) [6001-7071-019](#) [6002-7051-003](#) [6002-7551-202](#) [6059674-1](#) [619550-1](#) [630059-000](#) [M39030/3-01N](#) [M3933/25-36N](#) [6500-7071-046](#) [6769](#) [CX050L2AQ](#) [7002-1542-011](#) [7004-1512-000](#) [7009-1511-004](#) [7010-1511-000](#) [7029-1511-060](#) [7101-1541-010](#) [7101-1571-002](#) [7105-1521-002](#) [7145-1521-002](#) [7203-1571-003](#) [7209-1511-011](#) [7210-1511-015](#) [7210-1511-019](#) [73137-5015](#) [73216-2241](#) [7325-1512-000](#) [73404-2300](#) [7405-1521-005](#) [7405-1521-802](#) [7406-1521-005](#) [8527](#) [8547](#) [FS11V](#) [8808-1511-001](#) [9049-9513-000](#) [9074-9513-000](#) [9101-9573-002](#) [910A205F](#) [9130-9573-002](#) [PL11SC-026](#) [PL375-33](#) [PL40-5](#) [PL71-9](#) [PL74C-221](#) [PL75MC-217](#) [PL803-7](#) [980-8666-005](#)