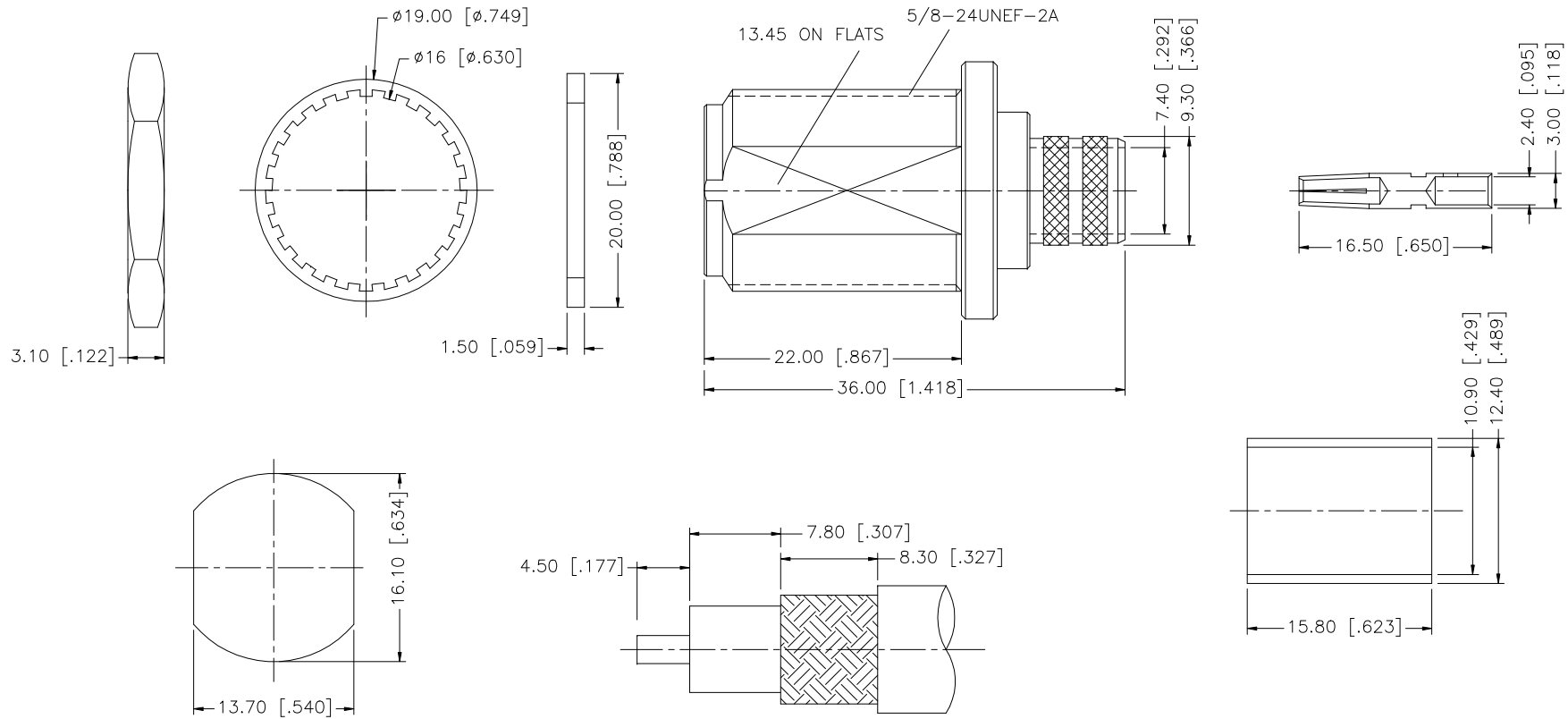


| REV. | DATE     | DESCRIPTION           |
|------|----------|-----------------------|
| NC   | 07/31/96 | INITIAL RELEASE       |
| A    | 11/16/05 | UPDATE DRAWING FORMAT |



RECOMMENDED MOUNTING HOLE

RECOMMENDED CABLE STRIPPING DIMS.

NOTE:

1. CRIMPED FERRULE  
HEX CRIMP SIZE .429"
2. HEX CRIMP SIZE .100"

| QTY | DESCRIPTION | MATERIAL     | FINISH  | QTY | DO NOT SCALE DRAWING   | CAD FILE  | DWG. NO.       | REV.  | SIZE | SCALE |    |          |
|-----|-------------|--------------|---------|-----|--|-----------|----------------|---|------|-------|----|----------|
| 1   | BODY        | BRASS        | NEXCOTE | 1   | UNLESS OTHERWISE SPECIFIED DIMENSIONS ARE IN MILLIMETERS. DIMENSIONS IN [ ] ARE IN INCHES AND FOR CUSTOMER REFERENCE ONLY.<br><br>UNLESS OTHERWISE SPECIFIED TOLERANCES FOR MILLIMETERS ARE:<br>0.5 - 8mm $\pm$ 0.20mm<br>8 - 30mm $\pm$ 0.40mm<br>30 - 120mm $\pm$ 0.50mm<br><br>UNLESS OTHERWISE SPECIFIED TOLERANCES FOR INCHES ARE:<br>.020 - .315 = $\pm$ 0.007"<br>.315 - 1.180 = $\pm$ 0.015"<br>1.180 - 4.724 = $\pm$ 0.020" | C:        | 172/172108.DWG | 172108.DWG  | NC   | A     | NA |          |
| 1   | INSULATOR   | TEFLON       | NATURAL | 1   |  | APPROVALS | DATE           | <b>Amphenol Connex</b><br>PART DESCRIPTION<br><b>N BULKHEAD CRIMP JACK</b><br><b>(FOR 8/U, 8A/U 213/U CABLE)</b><br>PART NO.<br><b>172108</b> |      |       |    |          |
| 2   | BARREL      | BRASS        | NEXCOTE | 1   |  | DRAWN     | G.R.S.         |   |      |       |    | 11/16/05 |
| 3   | GASKET      | SILICONE     | RED     | 1   |  | CHECKED   |                |   |      |       |    |          |
| 4   | LOCK WASHER | BRASS        | NEXCOTE | 1   |  | ISSUED    |                |   |      |       |    |          |
| 5   | HEX NUT     | BRASS        | NEXCOTE | 1   |  | SHEET     | 1 OF 1         |   |      |       |    |          |
| 6   | CONTACT PIN | PHOS. BRONZE | GOLD    | 1   |  |           |                |   |      |       |    |          |
| 7   | FERRULE     | COPPER       | NEXCOTE | 1   |  |           |                |   |      |       |    |          |

## X-ON Electronics

Largest Supplier of Electrical and Electronic Components

*Click to view similar products for [RF Connectors / Coaxial Connectors](#) category:*

*Click to view products by [Amphenol](#) manufacturer:*

Other Similar products are found below :

[8915-1511-000](#) [89674-0827](#) [6001-7071-019](#) [6002-7051-003](#) [6002-7551-202](#) [6059674-1](#) [619550-1](#) [630059-000](#) [M39030/3-01N](#) [M3933/25-36N](#) [6500-7071-046](#) [6769](#) [CX050L2AQ](#) [7002-1542-011](#) [7004-1512-000](#) [7009-1511-004](#) [7010-1511-000](#) [7029-1511-060](#) [7101-1541-010](#) [7101-1571-002](#) [7105-1521-002](#) [7145-1521-002](#) [7203-1571-003](#) [7209-1511-011](#) [7210-1511-015](#) [7210-1511-019](#) [73137-5015](#) [73216-2241](#) [7325-1512-000](#) [73404-2300](#) [7405-1521-005](#) [7405-1521-802](#) [7406-1521-005](#) [8527](#) [8547](#) [FS11V](#) [8808-1511-001](#) [9049-9513-000](#) [9074-9513-000](#) [9101-9573-002](#) [910A205F](#) [9130-9573-002](#) [PL11SC-026](#) [PL375-33](#) [PL40-5](#) [PL71-9](#) [PL74C-221](#) [PL75MC-217](#) [PL803-7](#) [980-8666-005](#)