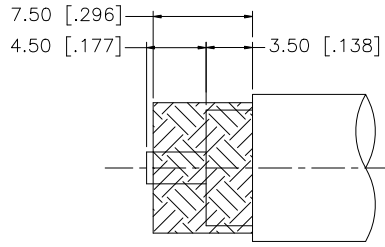
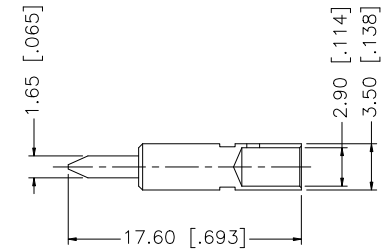
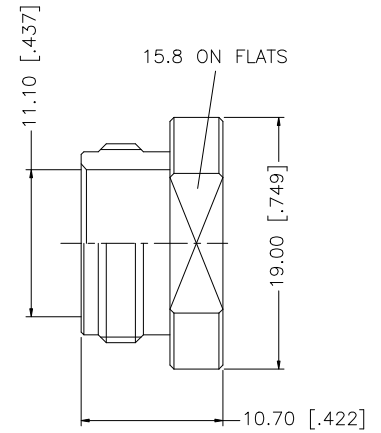
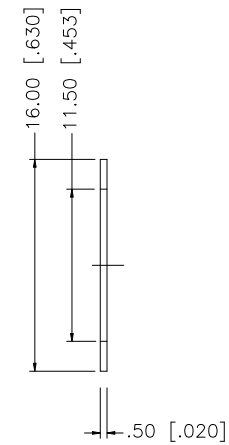
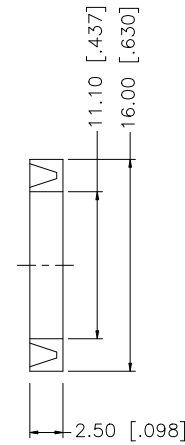
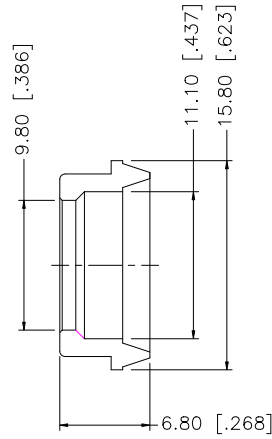
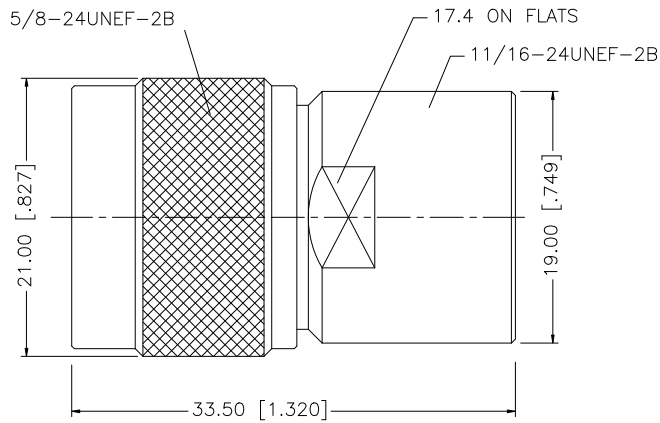


REV.	DATE	ECR NO.	DESCRIPTION
A	01/03/04	-	UPDATE DRAWING FORMAT
B	12/03/08	-	ADD CABLE CALLOUT TO PART DESCRIPTION



RECOMMENDED CABLE STRIPPING DIMS



NOTE:

1. CRIMPED CONTACT PIN HEX CRIMP SIZE .118" [3.00]

DESCRIPTION	MATERIAL	FINISH	QTY	DO NOT SCALE DRAWING	APPROVALS	DATE	Amphenol Connex							
8					DRAWN	GRS	12/03/08	PART DESCRIPTION <b>N CLAMP PLUG (FOR LMR400, B9913 CABLE)</b>						
7	NUT	BRASS	NEXCOTE	1	CHECKED									
6	WASHER	BRASS	NEXCOTE	2	ISSUED									
5	GASKET	SILICONE	RED	1	SHEET	1 OF 1		PART NO. <b>172113H243</b>						
4	BRAID CLAMP	BRASS	NEXCOTE	1	CAD FILE	C:/172/172113H243.DWG	DWG. NO.	172113H243.DWG	REV.	B	SIZE	A	SCALE	NA
3	CONTACT PIN	BRASS	GOLD	1	UNLESS OTHERWISE SPECIFIED DIMENSIONS ARE IN MILLIMETERS. DIMENSIONS IN [ ] ARE IN INCHES AND FOR CUSTOMER REFERENCE ONLY.									
2	INSULATOR	PTFE	NATURAL	1	UNLESS OTHERWISE SPECIFIED TOLERANCES FOR MILLIMETERS ARE: 0.5 - 8mm ± 0.20mm 8 - 30mm ± 0.40mm 30 - 120mm ± 0.50mm									
1	BODY	BRASS	NEXCOTE	1	UNLESS OTHERWISE SPECIFIED TOLERANCES FOR INCHES ARE: .020 - .315 ± 0.007" .315 - 1.180 ± 0.015" 1.180 - 4.724 ± 0.020"									

## X-ON Electronics

Largest Supplier of Electrical and Electronic Components

*Click to view similar products for [RF Connectors / Coaxial Connectors](#) category:*

*Click to view products by [Amphenol](#) manufacturer:*

Other Similar products are found below :

[8915-1511-000](#) [89674-0827](#) [6001-7071-019](#) [6002-7051-003](#) [6002-7551-202](#) [6059674-1](#) [619550-1](#) [630059-000](#) [M39030/3-01N](#) [M3933/25-36N](#) [6500-7071-046](#) [6769](#) [CX050L2AQ](#) [7002-1542-011](#) [7004-1512-000](#) [7009-1511-004](#) [7010-1511-000](#) [7029-1511-060](#) [7101-1541-010](#) [7101-1571-002](#) [7105-1521-002](#) [7145-1521-002](#) [7203-1571-003](#) [7209-1511-011](#) [7210-1511-015](#) [7210-1511-019](#) [73137-5015](#) [73216-2241](#) [7325-1512-000](#) [73404-2300](#) [7405-1521-005](#) [7405-1521-802](#) [7406-1521-005](#) [8527](#) [8547](#) [FS11V](#) [8808-1511-001](#) [9049-9513-000](#) [9074-9513-000](#) [9101-9573-002](#) [910A205F](#) [9130-9573-002](#) [PL11SC-026](#) [PL375-33](#) [PL40-5](#) [PL71-9](#) [PL74C-221](#) [PL75MC-217](#) [PL803-7](#) [980-8666-005](#)