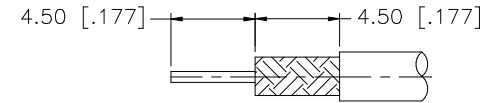
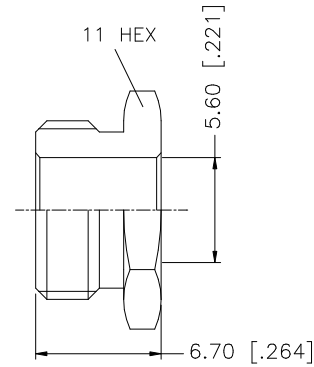
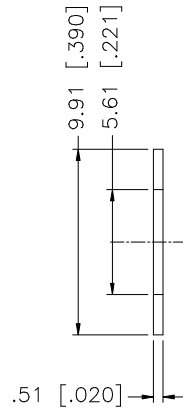
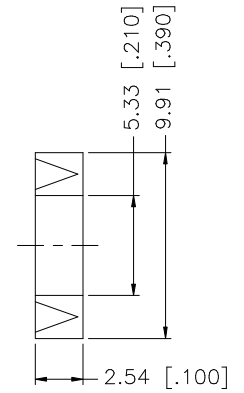
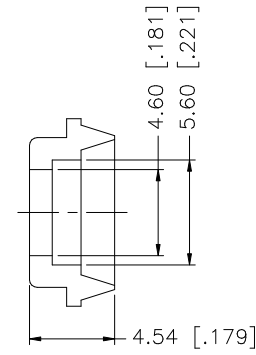
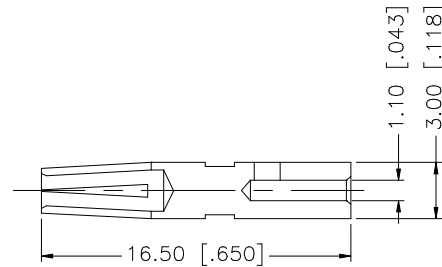
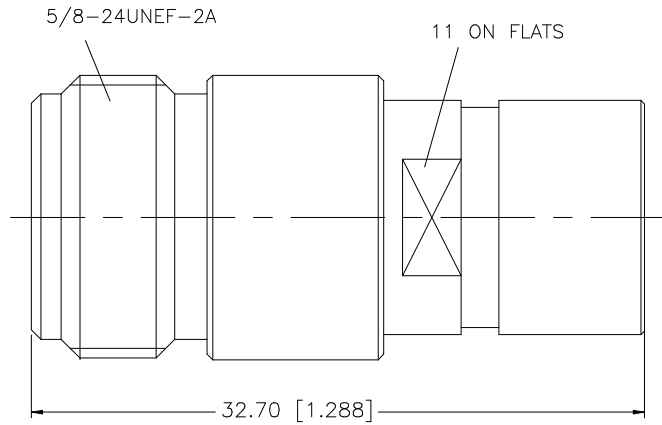


| REV. | DATE     | DESCRIPTION     |
|------|----------|-----------------|
| NC   | 07/05/06 | INITIAL RELEASE |



RECOMMENDED CABLE STRIPPING DIMENSIONS

|   |             |              |         |     |
|---|-------------|--------------|---------|-----|
| 8 |             |              |         |     |
| 7 | HEX NUT     | BRASS        | NEXCOTE | 1   |
| 6 | WASHER      | BRASS        | NEXCOTE | 1   |
| 5 | GASKET      | SILICONE     | RED     | 1   |
| 4 | BRAID CLAMP | BRASS        | NEXCOTE | 1   |
| 3 | CONTACT PIN | PHOS. BRONZE | GOLD    | 1   |
| 2 | INSULATOR   | TEFLON       | NATURAL | 1   |
| 1 | BODY        | BRASS        | NEXCOTE | 1   |
|   | DESCRIPTION | MATERIAL     | FINISH  | QTY |

UNLESS OTHERWISE SPECIFIED DIMENSIONS ARE IN MILLIMETERS. DIMENSIONS IN [ ] ARE IN INCHES AND FOR CUSTOMER REFERENCE ONLY.

UNLESS OTHERWISE SPECIFIED TOLERANCES FOR MILLIMETERS ARE:  
0.5 - 8mm ± 0.20mm  
8 - 30mm ± 0.40mm  
30 - 120mm ± 0.50mm

UNLESS OTHERWISE SPECIFIED TOLERANCES FOR INCHES ARE:  
.020 - .315 = ± 0.007"  
.315 - 1.180 = ± 0.015"  
1.180 - 4.724 = ± 0.020"

DO NOT SCALE DRAWING

| APPROVALS                  | DATE     |
|----------------------------|----------|
| DRAWN G.R.S.               | 07/05/06 |
| CHECKED                    |          |
| ISSUED                     |          |
| SHEET 1 OF 1               |          |
| CAD FILE C:/172/172114.DWG |          |

# Amphenol Connex

|   |         |        |          |
|---|---------|--------|----------|
| PART DESCRIPTION  |         |        |          |
| N CLAMP JACK<br>(FOR RG-58C/U, 58/U, 142A/U, 223/U CABLE) |         |        |          |
| PART NO. 172114   |         |        |          |
| DWG. NO. 172114.DWG                                       | REV. NC | SIZE A | SCALE NA |

## X-ON Electronics

Largest Supplier of Electrical and Electronic Components

*Click to view similar products for [RF Connectors / Coaxial Connectors](#) category:*

*Click to view products by [Amphenol](#) manufacturer:*

Other Similar products are found below :

[8915-1511-000](#) [89674-0827](#) [6001-7071-019](#) [6002-7051-003](#) [6002-7551-202](#) [6059674-1](#) [619550-1](#) [630059-000](#) [M39030/3-01N](#) [M3933/25-36N](#) [6500-7071-046](#) [6769](#) [CX050L2AQ](#) [7002-1542-011](#) [7004-1512-000](#) [7009-1511-004](#) [7010-1511-000](#) [7029-1511-060](#) [7101-1541-010](#) [7101-1571-002](#) [7105-1521-002](#) [7145-1521-002](#) [7203-1571-003](#) [7209-1511-011](#) [7210-1511-015](#) [7210-1511-019](#) [73137-5015](#) [73216-2241](#) [7325-1512-000](#) [73404-2300](#) [7405-1521-005](#) [7405-1521-802](#) [7406-1521-005](#) [8527](#) [8547](#) [FS11V](#) [8808-1511-001](#) [9049-9513-000](#) [9074-9513-000](#) [9101-9573-002](#) [910A205F](#) [9130-9573-002](#) [PL11SC-026](#) [PL375-33](#) [PL40-5](#) [PL71-9](#) [PL74C-221](#) [PL75MC-217](#) [PL803-7](#) [980-8666-005](#)