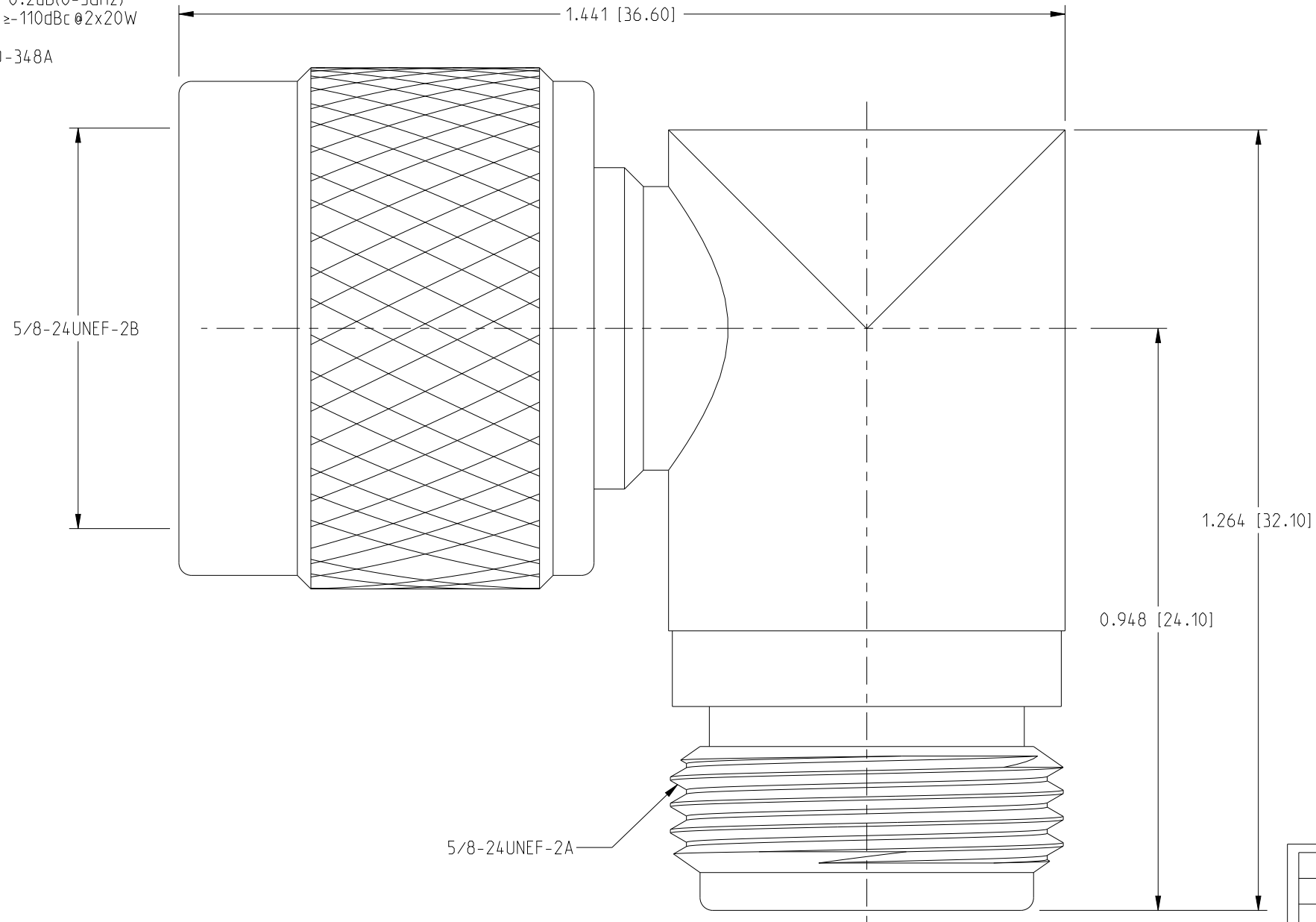


NOTES:

1. ELECTRICAL CHARACTERISTICS:
 CHARACTERISTIC IMPEDANCE: 50Ω
 WORKING VOLTAGE : 1000V(RMS)
 FREQUENCY RANGE: 0-11GHz
 DIELECTRIC WITHSTANDING VOLTAGE: 1500V(VOLTS RMS)
 CONTACT RESISTANCE: CENTER CONTACT: ≤ 1mΩ
 OUTER CONTACT: ≤ 0.2mΩ
 INSULATION RESISTANCE : ≥ 5000MΩ
 VSWR : ≤ 1.30(0-3GHz)
 INSERTION LOSS: 0.2dB(0-3GHz)
 INTERMODULATION: ≥ -110dBc @ 2x20W

2. THE CONNECTOR INTERFACE MEETS MIL-STD-348A



172126		REVISIONS			
DRAWING NO.	REV	DESCRIPTION	DATE	ECO	APPR
THIRD ANGLE PROJ.	NC	INITIAL RELEASE	08-Sep-95	--	
	A	REVISE OVERALL BODY DIMENSIONS	02-Jul-08	100040	
	B	IMPROVE MATING FACE GASKET, CORRECT CENTER CONTACT MATERIAL	30-Aug-12	2369	RV

NO.	DESCRIPTION	MATERIAL	FINISH	QTY
5	GASKET	SILICON RUBBER	--	1
4	INSULATOR	PTFE	--	1
3	BODY & NUT	BRASS	WHITE BRONZE	1
2	OUTER CONTACT	BRASS	WHITE BRONZE	1
1	CENTER CONTACT	PHOSPHOR BRONZE	GOLD	1

UNLESS OTHERWISE SPECIFIED, DIMENSIONS ARE IN INCHES AND TOLERANCES ARE: 2 PLACE DECIMAL ±.015 (0,381 mm) 3 PLACE DECIMAL ±.005 (0,127 mm) ANGLES ± 1°	MATERIAL SEE TABLE	DRAWN RAJAVIJAYAN S	DATE 30-Aug-12	TITLE N RIGHT ANGLE JACK TO PLUG ADAPTOR	Amphenol Connex
	REFERENCE	ENGINEER RAJAVIJAYAN S	DATE 30-Aug-12		
NOTICE - These drawings, specifications, or other data (1) are, and remain the property of Amphenol Corp. (2) must be returned upon request; and (3) are confidential and not to be disclosed to any person other than those to whom they are given by Amphenol Corp. The furnishing of these drawings, specifications, or other data by Amphenol Corp., or to any other person to anyone for any purpose is not to be regarded by implication or otherwise in any manner licensing, granting rights or permitting such holder or any other person to manufacture, use or sell any product, process or design, patented or otherwise, that may in any way be related to or disclosed by said drawings, specifications, or other data.		APPROVED	DATE	SCALE: 4.4:1	SHEET 1 OF 1
		CAD FILE	DWG SIZE B	DRAWING NO. 172126	REV B

X-ON Electronics

Largest Supplier of Electrical and Electronic Components

Click to view similar products for [RF Adapters - In Series](#) category:

Click to view products by [Amphenol](#) manufacturer:

Other Similar products are found below :

[5916-1103-603](#) [5918-1103-000](#) [5919-1503-000](#) [651A505](#) [82-5552](#) [9030-9523-502](#) [A0407000](#) [R114703000W](#) [R125704000](#) [R125771001](#)
[R141710000W](#) [R141723161](#) [R141730000](#) [R143730700](#) [R143770000](#) [R161703000W](#) [R161730000](#) [R161753000W](#) [R161791530W](#)
[R201705000](#) [R222705200](#) [R222M40010W](#) [R316754000](#) [R405006000](#) [R443162000](#) [AD78TL](#) [HRM-513S](#) [1996352-2](#) [2157155-1](#) [252169-75](#)
[AD158](#) [2101130-1](#) [252186](#) [R114704000W](#) [R114720000W](#) [R125705001](#) [R125705701](#) [R125771000](#) [R125771001W](#) [R125791501W](#)
[R127704001](#) [R127.870.001](#) [R127872001](#) [R141717000](#) [R142710000](#) [R142723000](#) [R143703000](#) [R143704000](#) [R143705700](#) [R143710000](#)