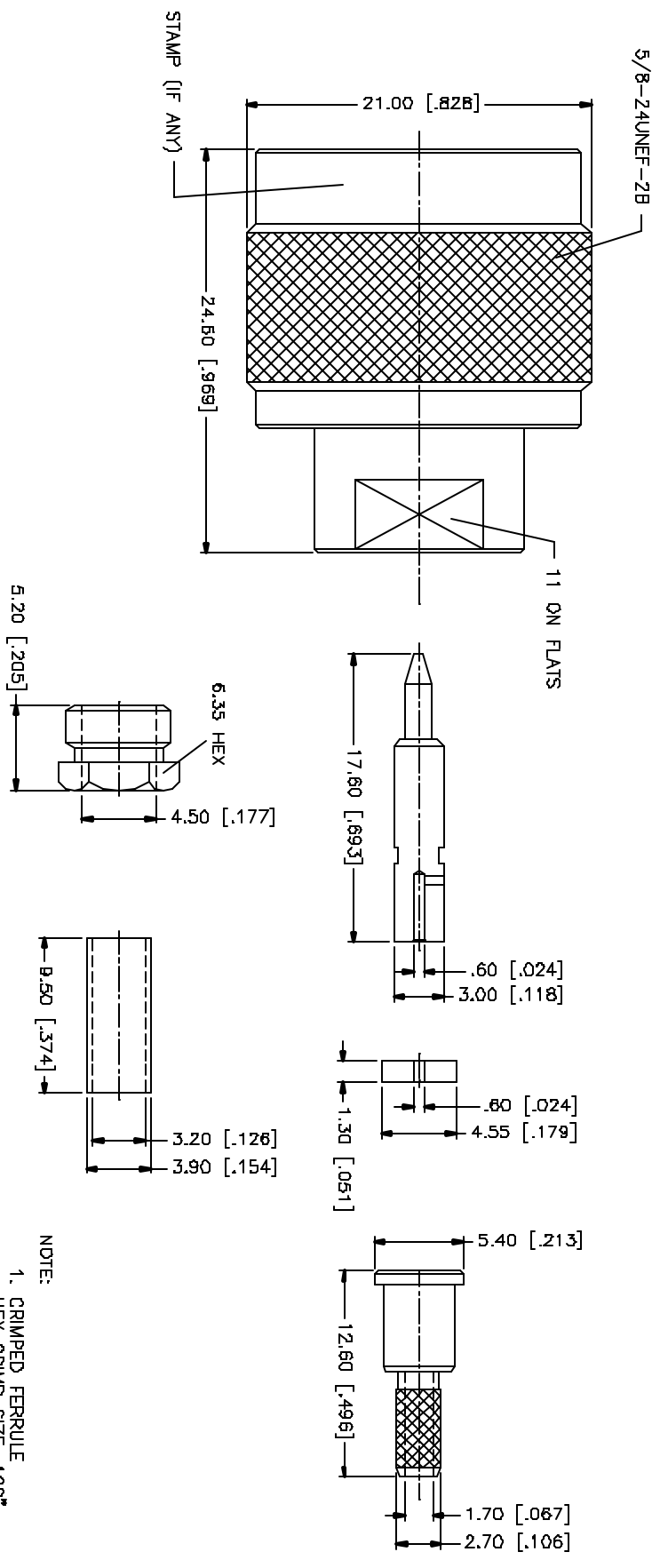
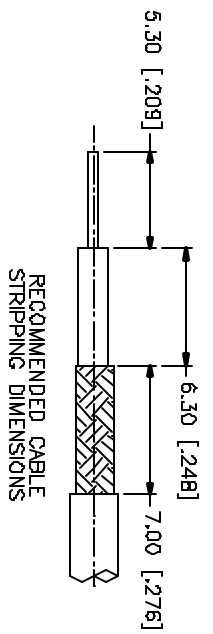


REV.	DATE	DESCRIPTION
NC	05/10/04	INITIAL RELEASE



- NOTE:
1. CRIMPED FERRULE
HEX CRIMP SIZE .128"
 2. CRIMPED CONTACT PIN
HEX CRIMP SIZE .100"

QTY	FINISH	MATERIAL	DESCRIPTION
2	NATURAL	TERFLON	INSULATOR
1	NEXCOTE	BRASS	SHELL/BODY
1	NEXCOTE	BRASS	CONTACT PIN
1	NEXCOTE	BRASS	BARREL
1	NEXCOTE	BRASS	HEX NUT
1	NEXCOTE	COPPER	FERRULE

APPROVALS		DATE	
DRAWN	G.R.S.	05/10/04	
CHECKED			
ISSUED			
SHEET	1 OF 1		

CAD FILE	DWG. NO.	REV	SIZE	SCALE
C:/172/172128.DWG	172128.DWG	NC	A	NA

Amphenol **Comnex**

PART DESCRIPTION
N CRIMP PLUG
 (FOR RG-174/U, 188A/U, 316/U)

PART NO. 172128

USING PROTRACTOR, SQUARE, AND/OR RULER FOR DIMENSIONS IN MILLIMETERS AND USE APPROPRIATE ROUNDING. ONLY. DIMENSIONS IN INCHES ARE NOT TO SCALE.

USING PROTRACTOR, SQUARE AND/OR RULER FOR DIMENSIONS IN MILLIMETERS AND USE APPROPRIATE ROUNDING. ONLY. DIMENSIONS IN INCHES ARE NOT TO SCALE.

USING PROTRACTOR, SQUARE AND/OR RULER FOR DIMENSIONS IN MILLIMETERS AND USE APPROPRIATE ROUNDING. ONLY. DIMENSIONS IN INCHES ARE NOT TO SCALE.

X-ON Electronics

Largest Supplier of Electrical and Electronic Components

Click to view similar products for [RF Connectors / Coaxial Connectors](#) category:

Click to view products by [Amphenol](#) manufacturer:

Other Similar products are found below :

[8915-1511-000](#) [89674-0827](#) [6001-7071-019](#) [6002-7051-003](#) [6002-7551-202](#) [6059674-1](#) [619550-1](#) [630059-000](#) [M39030/3-01N](#) [M3933/25-36N](#) [6500-7071-046](#) [6769](#) [CX050L2AQ](#) [7002-1542-011](#) [7004-1512-000](#) [7009-1511-004](#) [7010-1511-000](#) [7029-1511-060](#) [7101-1541-010](#) [7101-1571-002](#) [7105-1521-002](#) [7145-1521-002](#) [7203-1571-003](#) [7209-1511-011](#) [7210-1511-015](#) [7210-1511-019](#) [73137-5015](#) [73216-2241](#) [7325-1512-000](#) [73404-2300](#) [7405-1521-005](#) [7405-1521-802](#) [7406-1521-005](#) [8527](#) [8547](#) [FS11V](#) [8808-1511-001](#) [9049-9513-000](#) [9074-9513-000](#) [9101-9573-002](#) [910A205F](#) [9130-9573-002](#) [PL11SC-026](#) [PL375-33](#) [PL40-5](#) [PL71-9](#) [PL74C-221](#) [PL75MC-217](#) [PL803-7](#) [980-8666-005](#)