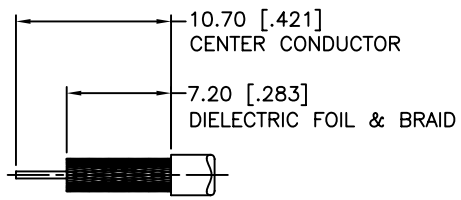
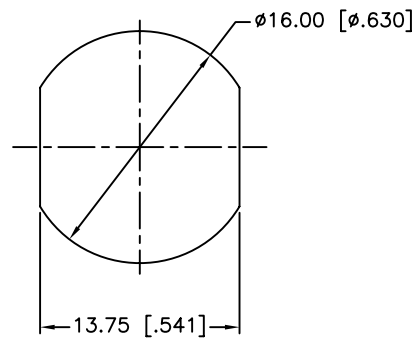


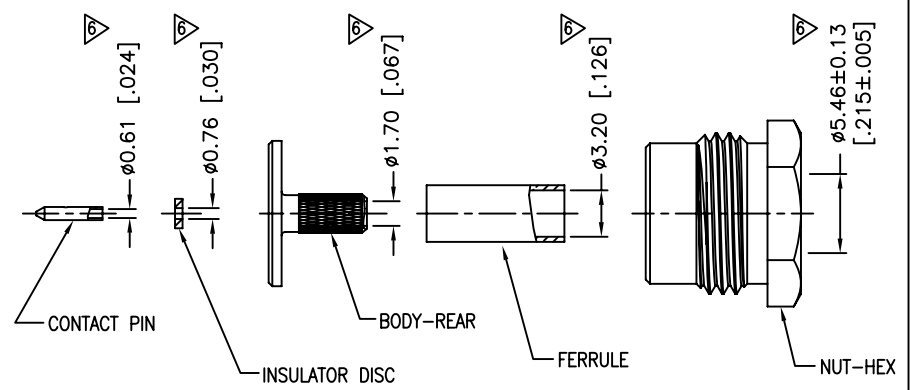
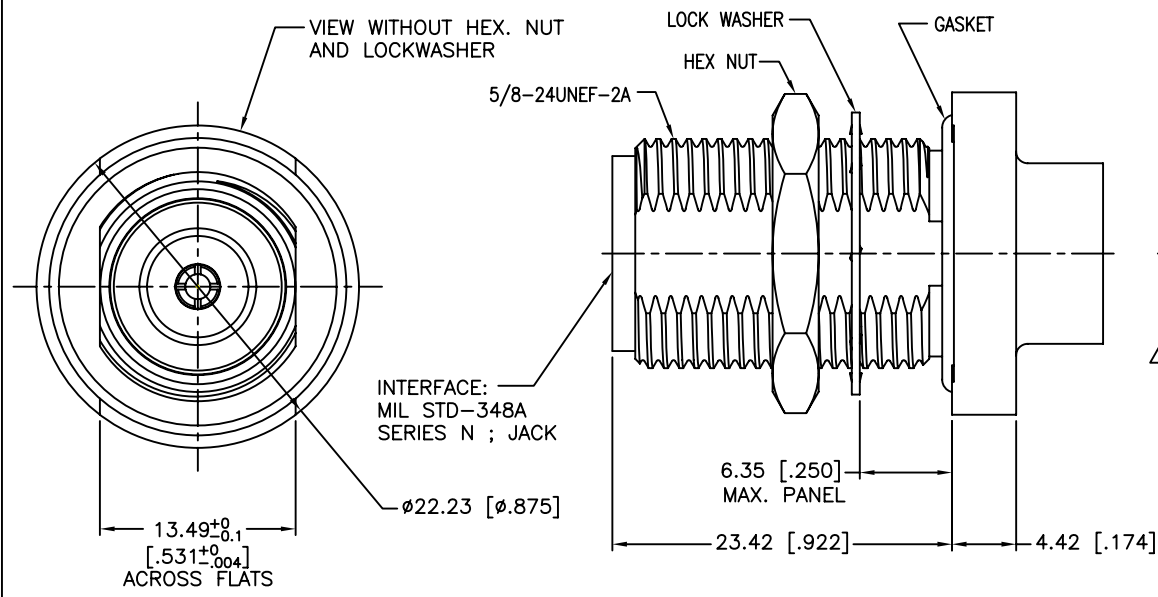
REV.	DATE	ECR NO.	DESCRIPTION
NC	11/16/10	XXXXXX	INITIAL RELEASE



RECOMMENDED  
CABLE STRIPPING DIM'S



RECOMMENDED  
MOUNTING HOLE DIM'S



- NOTE:
1. FREQUENCY RANGE: DC - 2.5 GHz
  2. VSWR: 1.15 MAX.
  3. CONNECTOR IS IP-68 COMPLIANT.
  4. THERE SHALL BE NO EVIDENCE OF AIR BUBBLES WHEN A 8 P.S.I. FORCE IS APPLIED TO MATING END WHILE WHOLE CONNECTOR IS IMMERSSED IN WATER.
  4. CRIMPED FERRULE  
HEX CRIMP SIZE .128"
  5. CRIMPED CONTACT PIN  
SQ. CRIMP SIZE 0.7 mm  
OR CONTACT PIN TO SOLDER
- ▷ SHOWS CABLE ENTRY DIMENSIONS.

QTY	DESCRIPTION	MATERIAL	FINISH	QTY
1	NUT-HEX	BRASS	NEXCOTE	1
1	BODY-REAR	BRASS	NEXCOTE	1
1	INSULATOR DISC	PTFE	NATURAL	1
1	FERRULE	BRASS	NEXCOTE	1
1	CONTACT PIN	BRASS	GOLD	1
1	GASKET	SILICONE	BLACK	1
1	GASKET	SILICONE	RED	1
1	LOCK WASHER	PHOSPHOR BRONZE	NEXCOTE	1
1	NUT-HEX	BRASS	NEXCOTE	1
1	INSULATOR	PTFE	NATURAL	1
1	CONTACT PIN	BERYLLIUM COPPER	GOLD	1
1	BUSHING BODY	BRASS	NEXCOTE	1
1	BODY	BRASS	NEXCOTE	1

UNLESS OTHERWISE SPECIFIED DIMENSIONS ARE IN MILLIMETERS. DIMENSIONS IN [ ] ARE IN INCHES AND FOR CUSTOMER REFERENCE ONLY.

UNLESS OTHERWISE SPECIFIED TOLERANCES FOR MILLIMETERS ARE:  
0.5 - 8mm ± 0.20mm  
8 - 30mm ± 0.40mm  
30 - 120mm ± 0.50mm

UNLESS OTHERWISE SPECIFIED TOLERANCES FOR INCHES ARE:  
.020 - .315 = ± 0.007"  
.315 - 1.180 = ± 0.015"  
1.180 - 4.724 = ± 0.020"

DO NOT SCALE DRAWING

APPROVALS	DATE
DRAWN M.ZHANG	11/16/10
CHECKED	
ISSUED	
SHEET 1 OF 1	
CAD FILE C:/CONNEX/172129-10.DWG	

**Amphenol Connex**

PART DESCRIPTION  
**N BULKHEAD CRIMP JACK, IP-68 COMPLIANT  
(FOR RG-316/U CABLE)**

PART NO. **172129-10**

DWG. NO. 172129-10.DWG	REV. A	SIZE A	SCALE NA
------------------------	--------	--------	----------

## X-ON Electronics

Largest Supplier of Electrical and Electronic Components

*Click to view similar products for [RF Connectors / Coaxial Connectors](#) category:*

*Click to view products by [Amphenol](#) manufacturer:*

Other Similar products are found below :

[8915-1511-000](#) [89674-0827](#) [6001-7071-019](#) [6002-7051-003](#) [6002-7551-202](#) [6059674-1](#) [619550-1](#) [630059-000](#) [M39030/3-01N](#) [M3933/25-36N](#) [6500-7071-046](#) [6769](#) [CX050L2AQ](#) [7002-1542-011](#) [7004-1512-000](#) [7009-1511-004](#) [7010-1511-000](#) [7029-1511-060](#) [7101-1541-010](#) [7101-1571-002](#) [7105-1521-002](#) [7145-1521-002](#) [7203-1571-003](#) [7209-1511-011](#) [7210-1511-015](#) [7210-1511-019](#) [73137-5015](#) [73216-2241](#) [7325-1512-000](#) [73404-2300](#) [7405-1521-005](#) [7405-1521-802](#) [7406-1521-005](#) [8527](#) [8547](#) [FS11V](#) [8808-1511-001](#) [9049-9513-000](#) [9074-9513-000](#) [9101-9573-002](#) [910A205F](#) [9130-9573-002](#) [PL11SC-026](#) [PL375-33](#) [PL40-5](#) [PL71-9](#) [PL74C-221](#) [PL75MC-217](#) [PL803-7](#) [980-8666-005](#)