

NOTES:

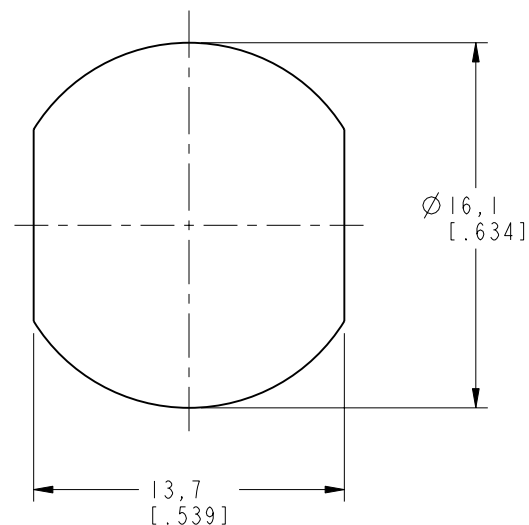
1. MATERIALS AND FINISHES:
 BODIES, BARREL, HEX NUTS, LOCKWASHER - BRASS, WHITE BRONZE PLATING
 CONTACT - PHOSPHOR BRONZE, GOLD PLATING
 INSULATORS - PTFE, NATURAL
 FERRULE - BRASS, WHITE BRONZE PLATING
 GASKET - SILICONE RUBBER, RED
2. ELECTRICAL:
 A. IMPEDANCE: 50 OHM
 B. FREQUENCY RANGE: DC - 11 GHz
 C. VSWR (RETURN LOSS): 1.20 (-20.828 dB) MAX. @ 0-6 GHz
 1.3 (-17.692) dB MAX. @ 6-11 GHz
 D. DIELECTRIC WITHSTANDING VOLTAGE: 1500 VRMS
3. MECHANICAL:
 A. DURABILITY: 500 CYCLES MIN.
 B. TEMPERATURE RANGE: -65° C TO +165° C
4. CRIMPED FERRULE HEX. CRIMP SIZE .213"
5. CRIMPED CONTACT PIN HEX. CRIMP SIZE .100" OR SOLDER
6. MAX. PANEL THICKNESS=6.5mm

7. SHOWS CABLE ENTRY DIMENSIONS.

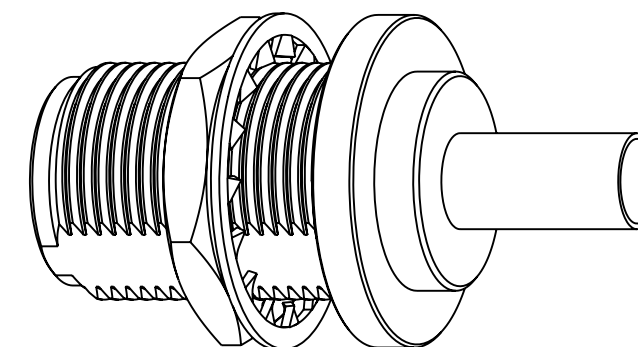
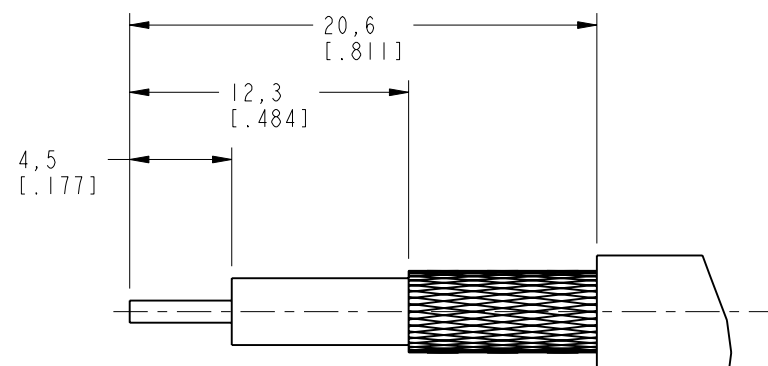
THIRD ANGLE PROJ.

REVISIONS

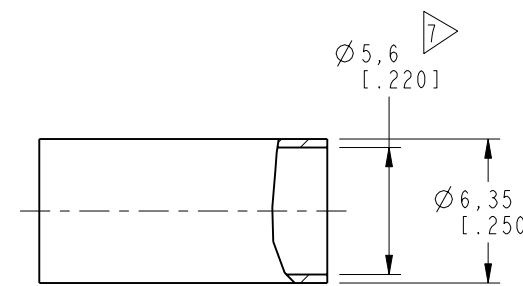
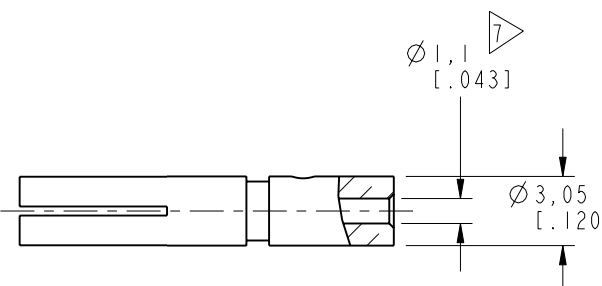
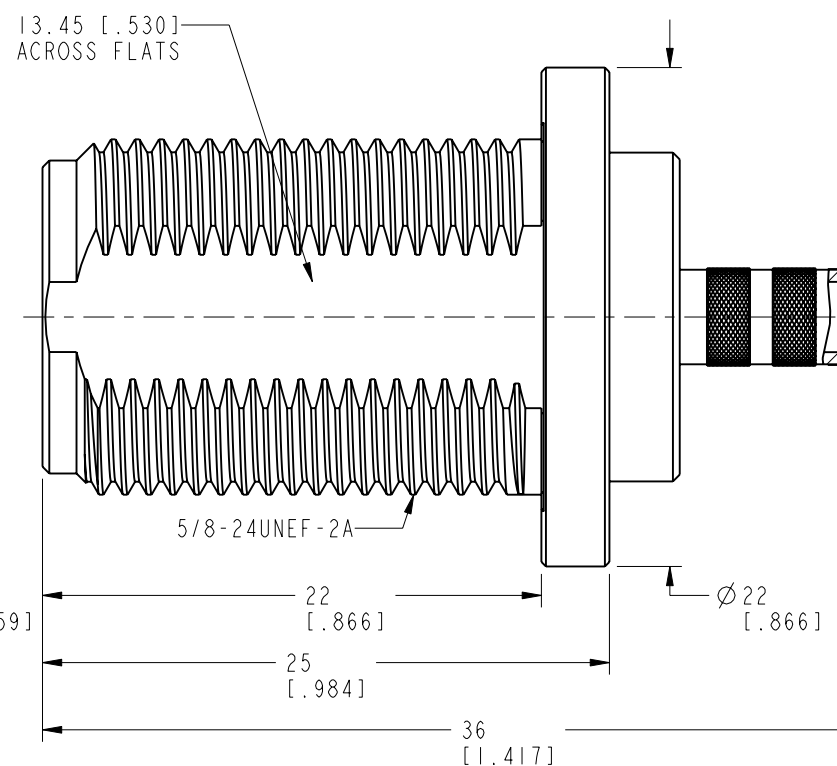
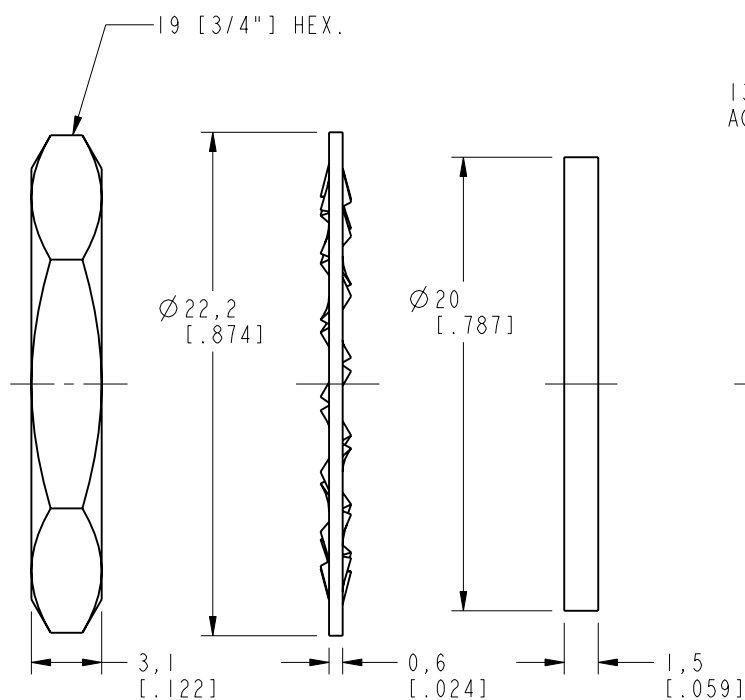
REV	DESCRIPTION	DATE	ECO	APPR
A	UPDATE DRAWING FORMAT	30-Jan-04	----	GRS
B	ADD BODY DIMENSION OF Ø22 MM	08-Nov-05	----	GRS
D	SYNC, REDRAWN IN THE PRO/E	06-Feb-18	06842	SH



RECOMMENDED MOUNTING HOLE



SCALE 2.000



CUSTOMER OUTLINE DRAWING

ALL OTHER SHEETS ARE FOR INTERNAL USE ONLY

UNLESS OTHERWISE SPECIFIED, DIMENSIONS ARE IN METRIC AND TOLERANCES ARE:
 <0.5mm ±0.05mm 0.5 - 6mm ±0.1mm 6 - 30mm ±0.2mm 30 - 120mm ±0.3mm ANGLES ±1°

NOTICE - These drawings, specifications, or other data (1) are, and remain the property of Amphenol corp. (2) must be returned upon request; and (3) are confidential and not to be disclosed to any person other than those to whom they are given by Amphenol Corp. the furnishing of these drawings, specifications, or other data by Amphenol Corp., or to any other person to anyone for any purpose is not to be regarded by implication or otherwise in any manner licensing, granting rights to permitting such holder or any other person to manufacture, use or sell any product, process or design, patented or otherwise, that may in any way be related to or disclosed by said drawings, specifications, or other data.

MATERIAL	-
REFERENCE AND CONFIGURATION LEVEL:	In Work
FINISH	

DRAWN	M. ZHANG	DATE	06-Feb-18
ENGINEER	S. LI	DATE	18-Jul-12
APPROVED	S. HSIEH	DATE	06-Feb-18
CAD FILE			

TITLE	
N BULKHEAD CRIMP JACK (FOR RG-55/U, 142A/U 223/U, 400/U CABLE)	
SCALE: 3.0:1.0	SHEET 2 OF 2
DWG SIZE B	REV D

Amphenol RF	
www.amphenolrf.com	
DRAWING NO. N6421A1-009-AT30GA-50	
ITEM NO. 036421AAE02AG5F	
PART NO. 172132	

X-ON Electronics

Largest Supplier of Electrical and Electronic Components

Click to view similar products for [RF Connectors / Coaxial Connectors](#) category:

Click to view products by [Amphenol](#) manufacturer:

Other Similar products are found below :

[8915-1511-000](#) [89674-0827](#) [6001-7071-019](#) [6002-7051-003](#) [6002-7551-202](#) [6059674-1](#) [619550-1](#) [630059-000](#) [M39030/3-01N](#) [M3933/25-36N](#) [6500-7071-046](#) [6769](#) [CX050L2AQ](#) [7002-1542-011](#) [7004-1512-000](#) [7009-1511-004](#) [7010-1511-000](#) [7029-1511-060](#) [7101-1541-010](#) [7101-1571-002](#) [7105-1521-002](#) [7145-1521-002](#) [7203-1571-003](#) [7209-1511-011](#) [7210-1511-015](#) [7210-1511-019](#) [73137-5015](#) [73216-2241](#) [7325-1512-000](#) [73404-2300](#) [7405-1521-005](#) [7405-1521-802](#) [7406-1521-005](#) [8527](#) [8547](#) [FS11V](#) [8808-1511-001](#) [9049-9513-000](#) [9074-9513-000](#) [9101-9573-002](#) [910A205F](#) [9130-9573-002](#) [PL11SC-026](#) [PL375-33](#) [PL40-5](#) [PL71-9](#) [PL74C-221](#) [PL75MC-217](#) [PL803-7](#) [980-8666-005](#)