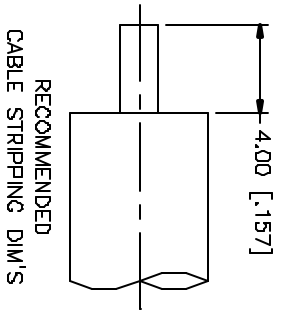
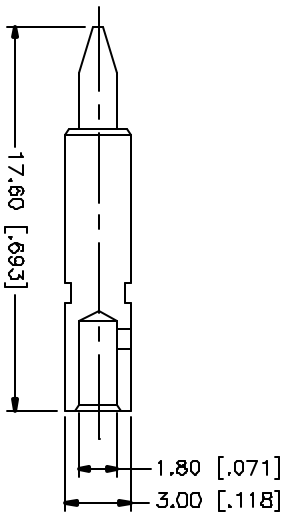
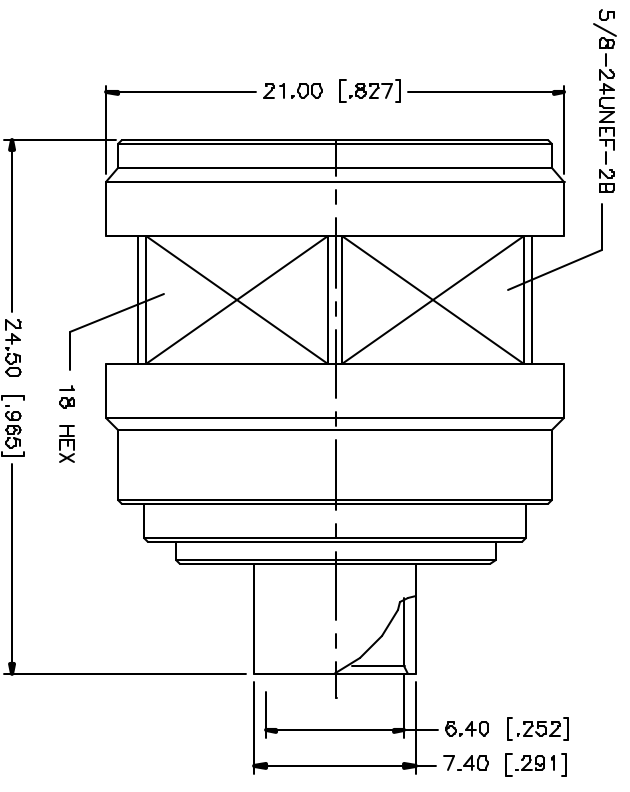


REV.	DATE	DESCRIPTION
NC	03/27/05	INITIAL RELEASE



NOTE:  
 1. CRIMPED CONTACT PIN  
 HEX CRIMP SIZE .100"  
 OR SOLDER

REV	DESCRIPTION	MATERIAL	FINISH	QTY
8				
7				
6				
5				
4	CONTACT PIN	BRASS	GOLD	1
3	INSULATOR	TEFLON	NATURAL	1
2	BARREL	BRASS	GOLD	1
1	BODY	BRASS	NEXCOTE	1
	DESCRIPTION	MATERIAL	FINISH	QTY

PARTS LISTING: LISTED MATERIALS ARE IN ALL-CAPS. DIMENSIONS IN [ ] ARE IN INCHES AND FOR CLARITY PURPOSES ONLY. TOLERANCES FOR ALL OTHERS ARE:	
A - .015mm ± 0.20mm B - .31mm ± 0.40mm C - .120mm ± 0.50mm	PARTS LISTING: LISTED MATERIALS ARE IN ALL-CAPS. DIMENSIONS IN [ ] ARE IN INCHES AND FOR CLARITY PURPOSES ONLY. TOLERANCES FOR ALL OTHERS ARE:
.020 - .315 = ± 0.007"	
.315 - 1.180 = ± 0.015"	
1.180 - 4.724 = ± 0.020"	
DO NOT SCALE DRAWING	

APPROVALS	DATE
DRAWN G.R.S.	03/27/05
CHECKED	
ISSUED	
SHEET 1 OF 1	

CAD FILE	C:/172/172139-11.DWG
DWG. NO.	172139-11.DWG
REV.	NC
SIZE	A
SCALE	NA

<b>Amphenol Connex</b> N DIRECT SOLDER PLUG (.250" SEMI-RIGID CABLE) 172139-11	
---	--

## X-ON Electronics

Largest Supplier of Electrical and Electronic Components

*Click to view similar products for [RF Connectors / Coaxial Connectors](#) category:*

*Click to view products by [Amphenol](#) manufacturer:*

Other Similar products are found below :

[8915-1511-000](#) [89674-0827](#) [6001-7071-019](#) [6002-7051-003](#) [6002-7551-202](#) [6059674-1](#) [619550-1](#) [630059-000](#) [M39030/3-01N](#) [M3933/25-36N](#) [6500-7071-046](#) [6769](#) [CX050L2AQ](#) [7002-1542-011](#) [7004-1512-000](#) [7009-1511-004](#) [7010-1511-000](#) [7029-1511-060](#) [7101-1541-010](#) [7101-1571-002](#) [7105-1521-002](#) [7145-1521-002](#) [7203-1571-003](#) [7209-1511-011](#) [7210-1511-015](#) [7210-1511-019](#) [73137-5015](#) [73216-2241](#) [7325-1512-000](#) [73404-2300](#) [7405-1521-005](#) [7405-1521-802](#) [7406-1521-005](#) [8527](#) [8547](#) [FS11V](#) [8808-1511-001](#) [9049-9513-000](#) [9074-9513-000](#) [9101-9573-002](#) [910A205F](#) [9130-9573-002](#) [PL11SC-026](#) [PL375-33](#) [PL40-5](#) [PL71-9](#) [PL74C-221](#) [PL75MC-217](#) [PL803-7](#) [980-8666-005](#)