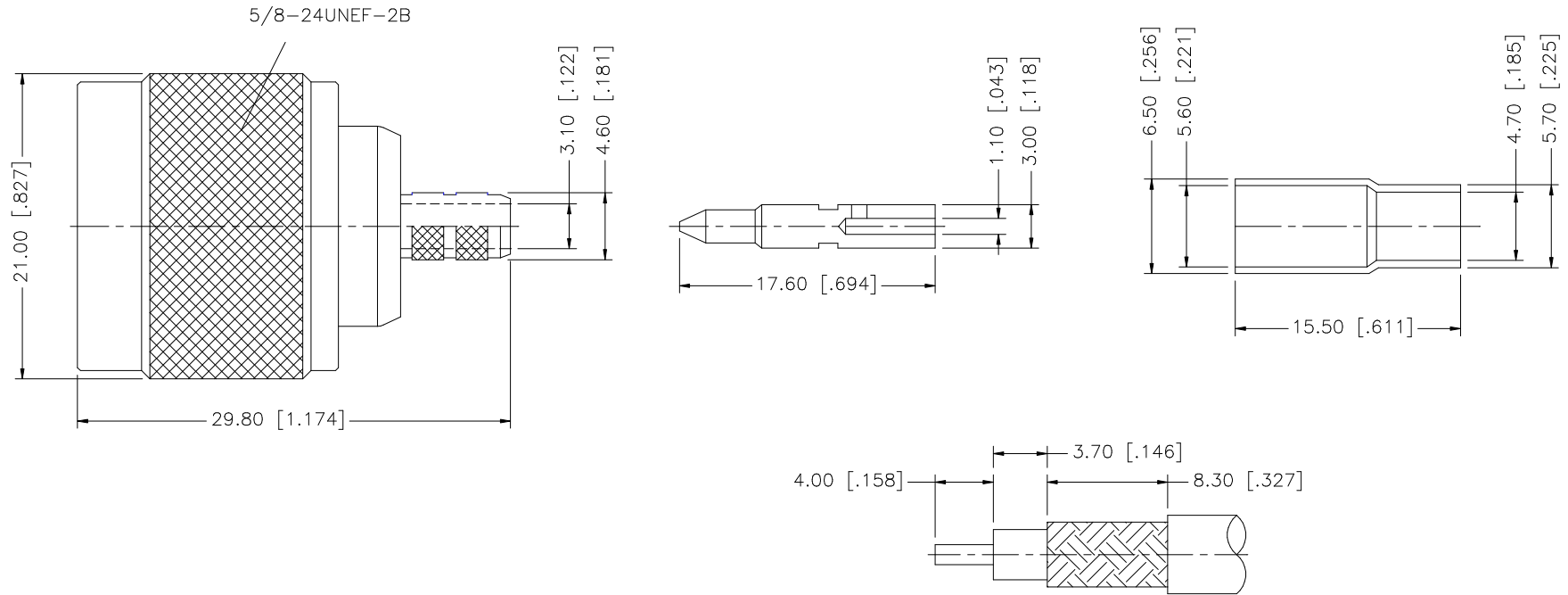


REV.	DATE	DESCRIPTION
A	06/01/99	MODIFY FERRULE
B	05/24/07	UPDATE DRAWING FORMAT



NOTE:

1. CRIMPED FERRULE HEX CRIMP SIZE .213".
2. CRIMPED CONTACT PIN HEX CRIMP SIZE .100"

RECOMMENDED
CABLE STRIPPING DIM'S

8					<small>UNLESS OTHERWISE SPECIFIED DIMENSIONS ARE IN MILLIMETERS. DIMENSIONS IN [] ARE IN INCHES AND FOR CUSTOMER REFERENCE ONLY.</small> <small>UNLESS OTHERWISE SPECIFIED TOLERANCES FOR MILLIMETERS ARE:</small> 0.5 - 8mm ± 0.20mm 8 - 30mm ± 0.40mm 30 - 120mm ± 0.50mm <small>UNLESS OTHERWISE SPECIFIED TOLERANCES FOR INCHES ARE:</small> .020 - .315 = ± 0.007" .315 - 1.180 = ± 0.015" 1.180 - 4.724 = ± 0.020"	APPROVALS	DATE	<h1 style="color: blue; text-align: center;">Amphenol Connex</h1>				
7				DRAWN		G.R.S.	05/24/07					
6				CHECKED								
5				ISSUED								
4	FERRULE	COPPER	NEXCOTE	1	SHEET	1 OF 1	PART DESCRIPTION					
3	CONTACT PIN	BRASS	GOLD	1				N CRIMP PLUG (FOR 58 PLENUM, BELDEN 88240, BELDEN 89907)				
2	INSULATOR	TEFLON	NATURAL	1				PART NO.				
1	BODY	BRASS	NEXCOTE	1				172161				
DESCRIPTION				MATERIAL	FINISH	QTY	CAD FILE	DWG. NO.	REV.	SIZE	SCALE	
							C:/172/172161.DWG	172161.DWG	B	A	NA	
				DO NOT SCALE DRAWING								

X-ON Electronics

Largest Supplier of Electrical and Electronic Components

Click to view similar products for [RF Connectors / Coaxial Connectors](#) category:

Click to view products by [Amphenol](#) manufacturer:

Other Similar products are found below :

[8915-1511-000](#) [89674-0827](#) [6001-7071-019](#) [6002-7051-003](#) [6002-7551-202](#) [6059674-1](#) [619550-1](#) [630059-000](#) [M39030/3-01N](#) [M3933/25-36N](#) [6500-7071-046](#) [6769](#) [CX050L2AQ](#) [7002-1542-011](#) [7004-1512-000](#) [7009-1511-004](#) [7010-1511-000](#) [7029-1511-060](#) [7101-1541-010](#) [7101-1571-002](#) [7105-1521-002](#) [7145-1521-002](#) [7203-1571-003](#) [7209-1511-011](#) [7210-1511-015](#) [7210-1511-019](#) [73137-5015](#) [73216-2241](#) [7325-1512-000](#) [73404-2300](#) [7405-1521-005](#) [7405-1521-802](#) [7406-1521-005](#) [8527](#) [8547](#) [FS11V](#) [8808-1511-001](#) [9049-9513-000](#) [9074-9513-000](#) [9101-9573-002](#) [910A205F](#) [9130-9573-002](#) [PL11SC-026](#) [PL375-33](#) [PL40-5](#) [PL71-9](#) [PL74C-221](#) [PL75MC-217](#) [PL803-7](#) [980-8666-005](#)