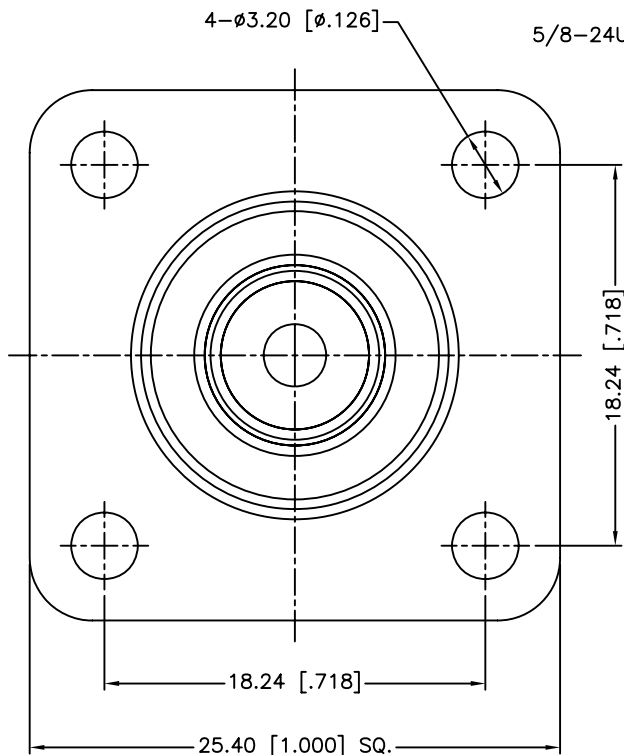
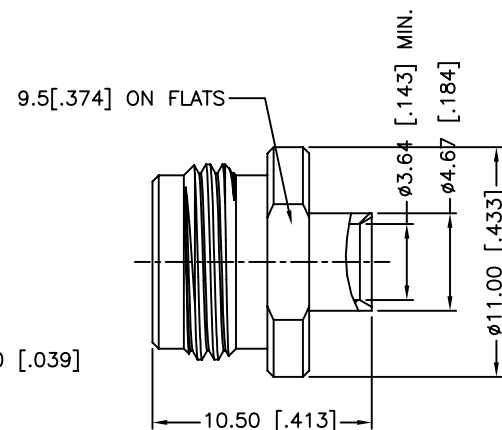
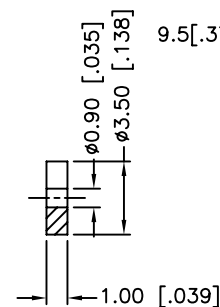
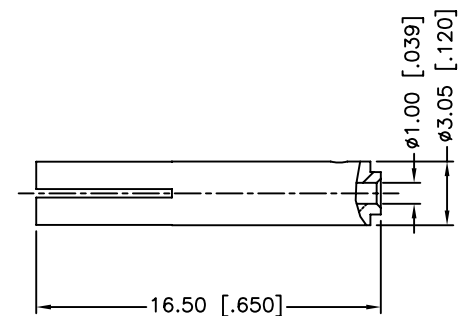
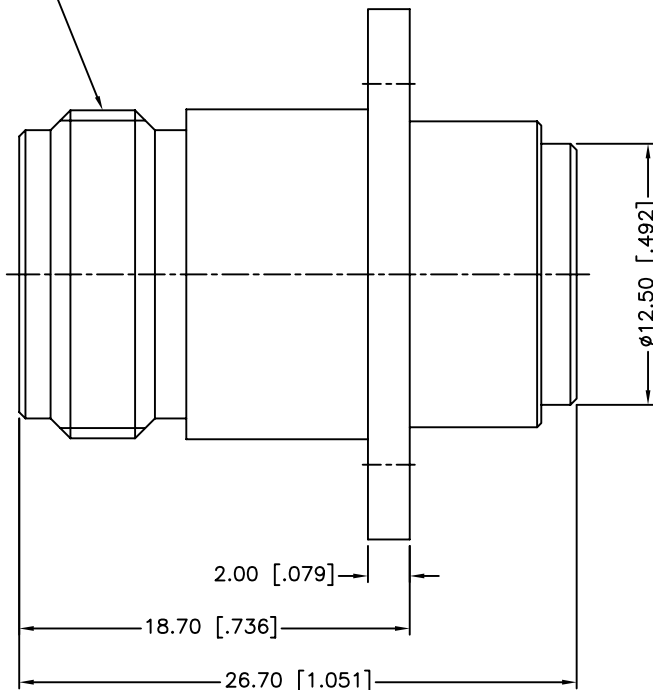


RECOMMENDED
CABLE STRIPPING DIM'S

| REV. | DATE | ECR NO. | DESCRIPTION |
|------|----------|---------|--|
| NC | 08/18/00 | XXXXXX | INITIAL RELEASE |
| A | 04/11/03 | XXXXXX | MODIFY PLATING SPECS/UPDATE DRAWING FORMAT |
| B | 01/30/04 | XXXXXX | MODIFY CONTACT PIN AND INSULATOR |
| C | 02/02/05 | XXXXXX | MODIFY CONTACT PIN |
| D | 07/25/05 | XXXXXX | MODIFY SOLDER NUT PLATING TO GOLD |
| E | 04/02/08 | XXXXXX | REVISE CABLE STRIPPING DIMENSION TO 3.5MM, INSULATOR TO PTFE |
| F | 01/27/14 | 2690 | CORRECT SPACER (INSULATOR) THICKNESS, UPDATE DRAWING FORMAT |



5/8-24UNEF-2A



1. IMPEDANCE: 50 OHM
2. FREQUENCY RANGE: 0-6 GHZ
3. VSWR: 1.3 MAX.
4. DIELECTRIC WITHSTANDING VOLTAGE: 2500 VRMS, MIN.
5. DURABILITY: 500 CYCLES MIN.
6. TEMPERATURE RANGE: -65°C TO +165°C
7. CONTACT PIN TO SOLDER

| QTY | FINISH | MATERIAL | DESCRIPTION |
|-----|---------|-----------------|-------------|
| 1 | GOLD | BRASS | SOLDER NUT |
| 1 | NATURAL | PTFE | INSULATOR |
| 1 | GOLD | PHOSPHOR BRONZE | CONTACT PIN |
| 1 | NEXCOTE | BRASS | INNER BODY |
| 1 | NATURAL | PTFE | INSULATOR |
| 1 | NEXCOTE | BRASS | OUTER BODY |
| QTY | FINISH | MATERIAL | DESCRIPTION |

UNLESS OTHERWISE SPECIFIED DIMENSIONS ARE IN MILLIMETERS. DIMENSIONS IN [] ARE IN INCHES AND FOR CUSTOMER REFERENCE ONLY.
UNLESS OTHERWISE SPECIFIED
TOLERANCES FOR MILLIMETERS ARE:
 <0.5 ± 0.05mm
 0.5 - 6mm ± 0.10mm
 6 - 30mm ± 0.20mm
 30 - 120mm ± 0.30mm
 ANGLES ± 1°
 UNLESS OTHERWISE SPECIFIED
 TOLERANCES FOR INCHES ARE:
 <.020 ± 0.002"
 .020 - .236 = ± 0.004"
 .236 - 1.180 = ± 0.007"
 1.180 - 4.724 = ± 0.012"
 ANGLES ± 1°
 DO NOT SCALE DRAWING

| APPROVALS | DATE |
|-------------------------------|----------|
| DRAWN M.ZHANG | 01/27/14 |
| CHECKED | |
| ISSUED | |
| SHEET 1 OF 1 | |
| CAD FILE C:/CONNEX/172170.DWG | |

| | | | |
|--|------------|-------|----|
| Amphenol Connex | | | |
| PART DESCRIPTION | | | |
| N PANEL DIRECT SOLDER JACK (FOR .141" SEMI RIGID CABLE) | | | |
| PART NO. | | | |
| 172170 | | | |
| DWG. NO. | 172170.DWG | REV. | F |
| SIZE | A | SCALE | NA |

X-ON Electronics

Largest Supplier of Electrical and Electronic Components

Click to view similar products for [RF Connectors / Coaxial Connectors](#) category:

Click to view products by [Amphenol](#) manufacturer:

Other Similar products are found below :

[8915-1511-000](#) [89674-0827](#) [6001-7071-019](#) [6002-7051-003](#) [6002-7551-202](#) [6059674-1](#) [619550-1](#) [630059-000](#) [M39030/3-01N](#) [M3933/25-36N](#) [6500-7071-046](#) [6769](#) [CX050L2AQ](#) [7002-1542-011](#) [7004-1512-000](#) [7009-1511-004](#) [7010-1511-000](#) [7029-1511-060](#) [7101-1541-010](#) [7101-1571-002](#) [7105-1521-002](#) [7145-1521-002](#) [7203-1571-003](#) [7209-1511-011](#) [7210-1511-015](#) [7210-1511-019](#) [73137-5015](#) [73216-2241](#) [7325-1512-000](#) [73404-2300](#) [7405-1521-005](#) [7405-1521-802](#) [7406-1521-005](#) [8527](#) [8547](#) [FS11V](#) [8808-1511-001](#) [9049-9513-000](#) [9074-9513-000](#) [9101-9573-002](#) [910A205F](#) [9130-9573-002](#) [PL11SC-026](#) [PL375-33](#) [PL40-5](#) [PL71-9](#) [PL74C-221](#) [PL75MC-217](#) [PL803-7](#) [980-8666-005](#)