

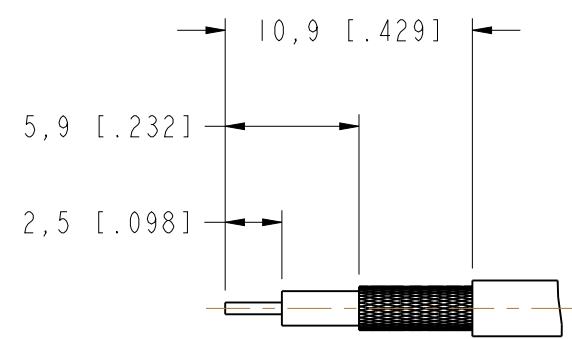
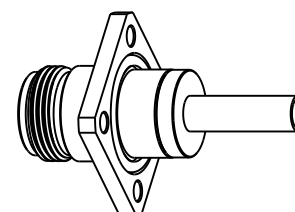
NOTES:

- MATERIALS AND FINISHES:  
 BODY - BRASS, ALBALOY PLATING  
 CONTACT - BRASS & PHOSPHOR BRONZE, GOLD PLATING  
 INSULATOR - PTFE, NATURAL
- ELECTRICAL:  
 A. IMPEDANCE: 50 OHM  
 B. FREQUENCY RANGE: DC - 11 GHz  
 C. VSWR: 1.2 MAX @ 6 GHz  
 D. INSERTION LOSS: 0.25 dB MAX.@ 6 GHz  
 E. DIELECTRIC WITHSTANDING VOLTAGE: 2000 VRMS, MIN.
- MECHANICAL:  
 A. DURABILITY: 50 OHM, NOMINAL  
 B. TEMPERATURE RANGE: -65°C TO +165°C
- CRIMPED FERRULE HEX. CRIMP SIZE: .128"
- CONTACT PIN CAN BE SOLDERED OR USE 4-WAY INDENT TOOL #47025
- THE ASSEMBLIES MUST TEST BY SUBMERGING IN WATER FOR 1 MINUTE AT 8 PSI WITH NO VISIBLE LEAKAGE (COMPLIANT WITH IP68).

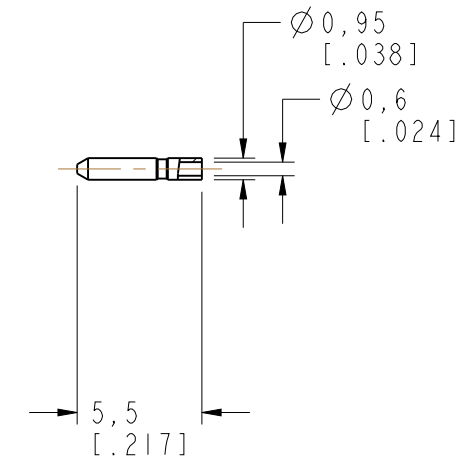
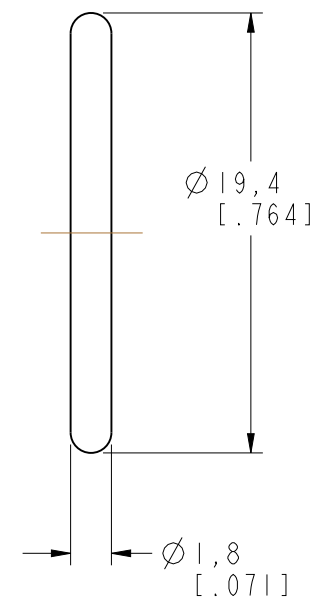
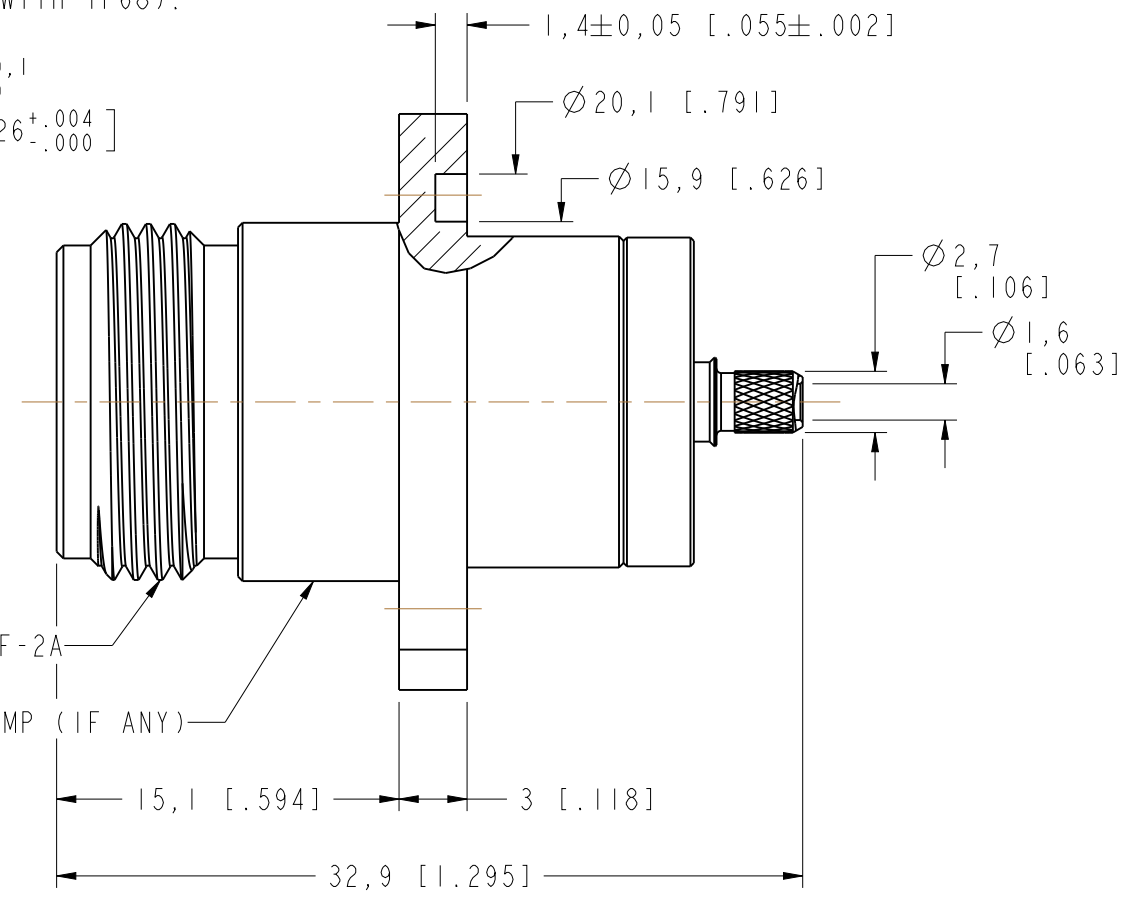
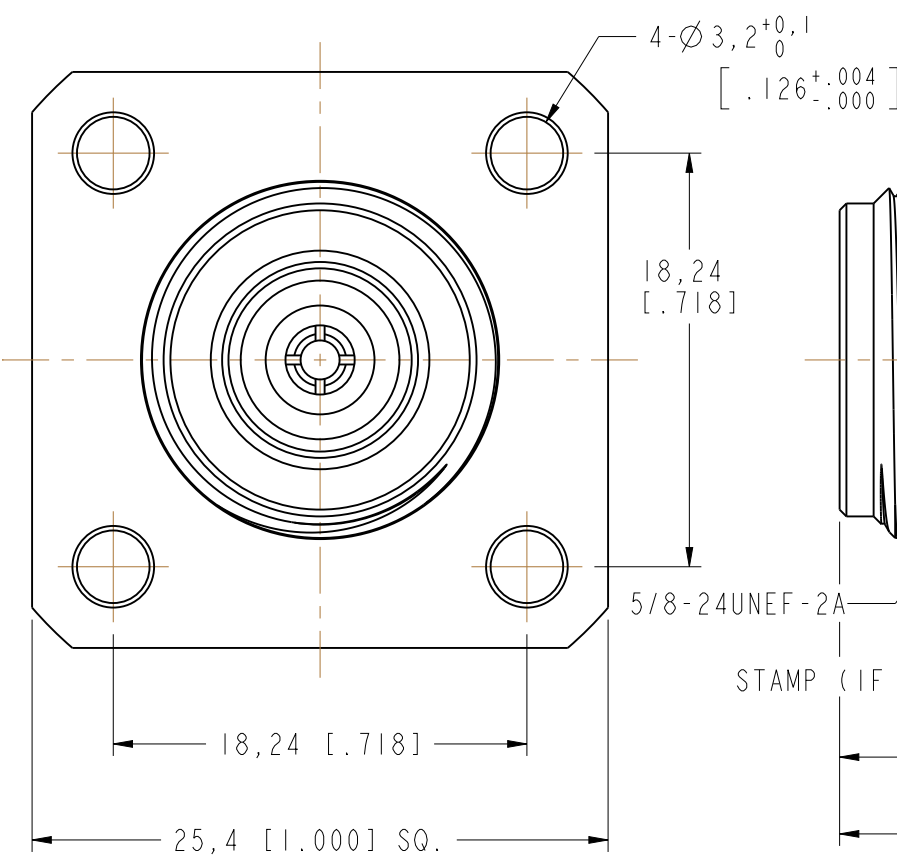
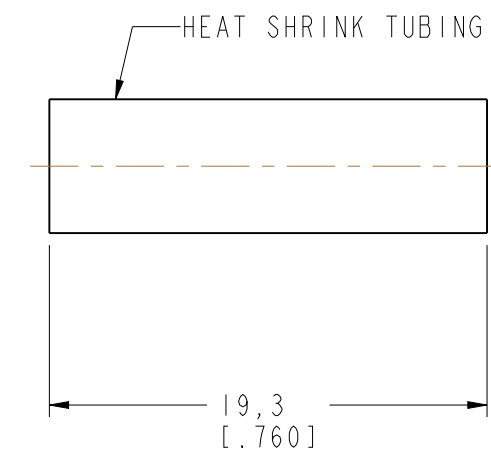
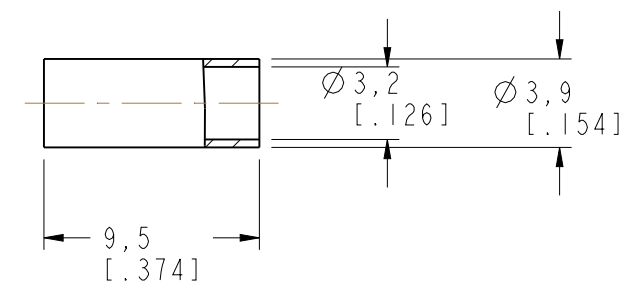
THIRD ANGLE PROJ.

REVISIONS

REV	DESCRIPTION	DATE	ECO	APPR
NC	INITIAL RELEASE	19-Nov-10	----	MZ
A	UPDATED INS. TO IMPROVE ELECTRICAL PERFORMANCE	07-May-15	50484	MZ



RECOMMENDED CABLE STRIPPING DIM'S



**CUSTOMER OUTLINE DRAWING**  
 ALL OTHER SHEETS ARE FOR INTERNAL USE ONLY

UNLESS OTHERWISE SPECIFIED, DIMENSIONS ARE IN METRIC AND TOLERANCES ARE: <0.5mm ±0.05mm    0.5 - 6mm ±0.1mm    6 - 30mm ±0.2mm    30 - 120mm ±0.3mm    ANGLES ±1°	MATERIAL	DRAWN M.ZHANG	DATE 07-May-15	TITLE N PANEL RECEPT. JACK IP-68 COMPLIANT (FOR RG-316/U CABLE) SCALE: 3.0:1.0   SHEET 3 OF 3	Amphenol Connex
	REFERENCE N6521G1-004-AT5GP-50	ENGINEER S.DUAN	DATE 07-May-15		
NOTICE - These drawings, specifications, or other data (1) are, and remain the property of Amphenol corp. (2) must be returned upon request; and (3) are confidential and not to be disclosed to any person other than those to whom they are given by Amphenol Corp. the furnishing of these drawings, specifications, or other data by Amphenol Corp., or to any other person to anyone for any purpose is not to be regarded by implication or otherwise in any manner licensing, granting rights to permitting such holder or any other person to manufacture, use or sell any product, process or design, patented or otherwise, that may in any way be related to or disclosed by said drawings, specifications, or other data.	CONFIGURATION LEVEL: In Work	APPROVED S.HSIHE	DATE 07-May-15	DRAWING NO.	ITEM NO.
	FINISH	CAD FILE	DWG SIZE B	REV A	PART NO. 172173-14

## X-ON Electronics

Largest Supplier of Electrical and Electronic Components

*Click to view similar products for [RF Connectors / Coaxial Connectors](#) category:*

*Click to view products by [Amphenol](#) manufacturer:*

Other Similar products are found below :

[8915-1511-000](#) [89674-0827](#) [6001-7071-019](#) [6002-7051-003](#) [6002-7551-202](#) [6059674-1](#) [619550-1](#) [630059-000](#) [M39030/3-01N](#) [M3933/25-36N](#) [6500-7071-046](#) [6769](#) [CX050L2AQ](#) [7002-1542-011](#) [7004-1512-000](#) [7009-1511-004](#) [7010-1511-000](#) [7029-1511-060](#) [7101-1541-010](#) [7101-1571-002](#) [7105-1521-002](#) [7145-1521-002](#) [7203-1571-003](#) [7209-1511-011](#) [7210-1511-015](#) [7210-1511-019](#) [73137-5015](#) [73216-2241](#) [7325-1512-000](#) [73404-2300](#) [7405-1521-005](#) [7405-1521-802](#) [7406-1521-005](#) [8527](#) [8547](#) [FS11V](#) [8808-1511-001](#) [9049-9513-000](#) [9074-9513-000](#) [9101-9573-002](#) [910A205F](#) [9130-9573-002](#) [PL11SC-026](#) [PL375-33](#) [PL40-5](#) [PL71-9](#) [PL74C-221](#) [PL75MC-217](#) [PL803-7](#) [980-8666-005](#)