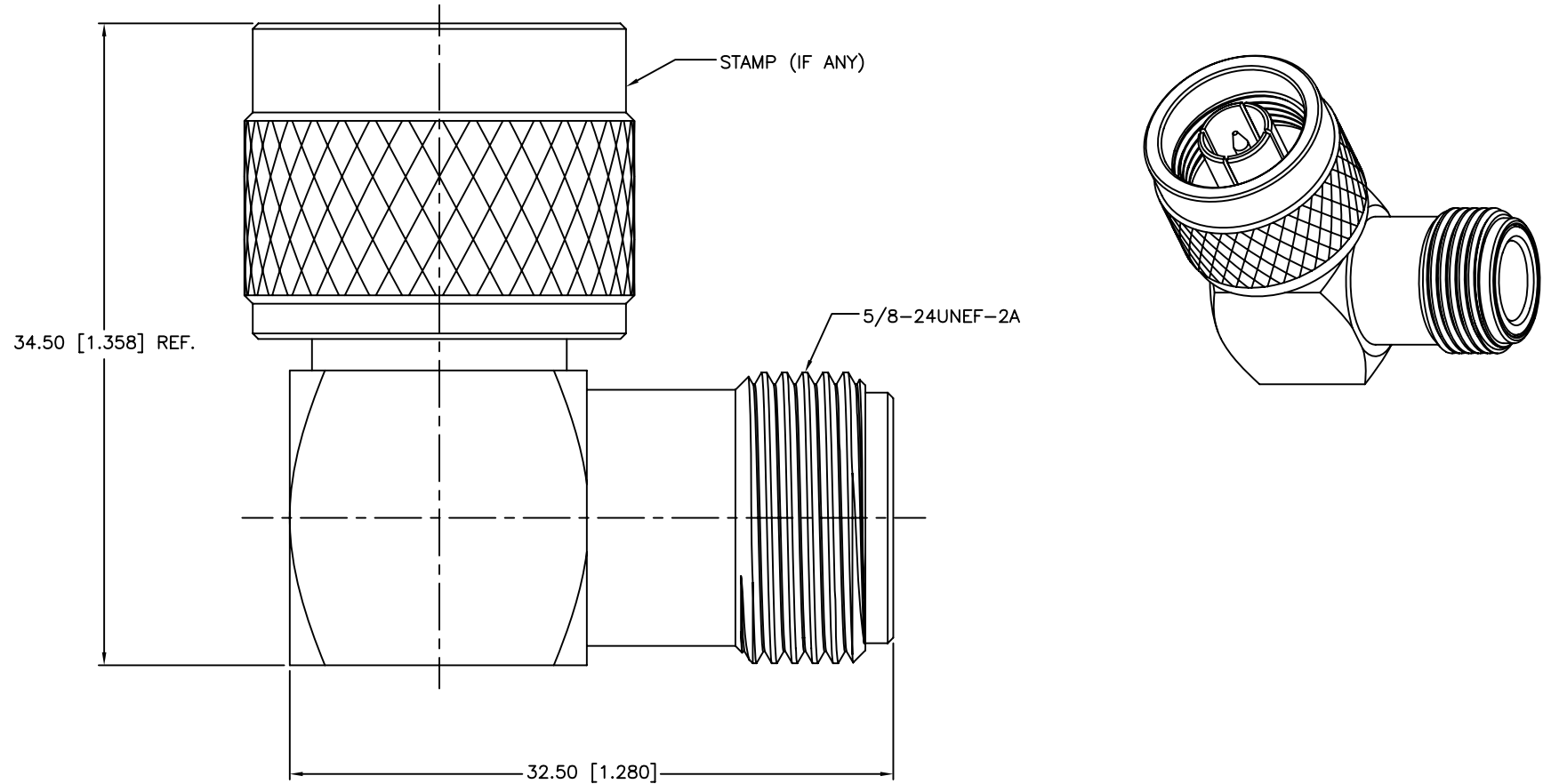


REV.	DATE	ECR NO.	DESCRIPTION
NC	03/16/09	XXXXXX	INITIAL RELEASE
A	11/05/13	2548	UPDATE DRAWING FORMAT, UPDATE VENDOR DRAWING



1. IMPEDANCE: 50 OHM
2. FREQUENCY RANGE: 0-11 GHZ
3. DIELECTRIC WITHSTANDING VOLTAGE: 2500 VRMS, MIN.
4. DURABILITY: 500 CYCLES MIN.
5. TEMPERATURE RANGE: -65°C TO +165°C

QTY	DESCRIPTION	MATERIAL	FINISH	DO NOT SCALE DRAWING	APPROVALS	DATE	Amphenol Connex			
1	SHELL	BRASS	NEXCOTE		DRAWN	M.ZHANG	11/05/13	PART DESCRIPTION <b>N MALE TO FEMALE RIGHT ANGLE ADAPTER</b>		
1	GASKET	SILICONE RUBBER	RED		CHECKED					
1	RETAINING RING	SUS 304	NATURAL		ISSUED			PART NO. <b>172193</b>		
1	INNER BODY	BRASS	NEXCOTE		SHEET	1 OF 1		DWG. NO. 172193.DWG		
1	INSULATOR	PTFE	NATURAL		CAD FILE	C:/CONNEX/172193.DWG		REV.	SIZE	SCALE
1	CONTACT BODY	BRASS	NEXCOTE					A	A	NA
1	INSULATOR	PTFE	NATURAL							
1	CONTACT PIN	PHOSPHOR BRONZE	GOLD							
1	HOUSING WITH BODY	BRASS	NEXCOTE							

UNLESS OTHERWISE SPECIFIED DIMENSIONS ARE IN MILLIMETERS. DIMENSIONS IN [ ] ARE IN INCHES AND FOR CUSTOMER REFERENCE ONLY. UNLESS OTHERWISE SPECIFIED

TOLERANCES FOR MILLIMETERS ARE:  
 <0.5 ± 0.05mm  
 0.5 - 6mm ± 0.10mm  
 6 - 30mm ± 0.20mm  
 30 - 120mm ± 0.30mm  
 ANGLES ± 1°

UNLESS OTHERWISE SPECIFIED TOLERANCES FOR INCHES ARE:  
 <.020 ± 0.002"  
 .020 - .236 ± 0.004"  
 .236 - 1.180 ± 0.007"  
 1.180 - 4.724 ± 0.012"  
 ANGLES ± 1°

## X-ON Electronics

Largest Supplier of Electrical and Electronic Components

*Click to view similar products for [RF Adapters - In Series category:](#)*

*Click to view products by [Amphenol manufacturer:](#)*

Other Similar products are found below :

[5916-1103-603](#) [5918-1103-000](#) [5919-1503-000](#) [651A505](#) [82-5552](#) [9030-9523-502](#) [A0407000](#) [R114703000W](#) [R125704000](#) [R125771001](#)  
[R141710000W](#) [R141723161](#) [R141730000](#) [R143730700](#) [R143770000](#) [R161703000W](#) [R161730000](#) [R161753000W](#) [R161791530W](#)  
[R201705000](#) [R222705200](#) [R222M40010W](#) [R223703180](#) [R316754000](#) [R405006000](#) [R443162000](#) [AD78TL](#) [HRM-513S](#) [1996352-2](#)  
[2157155-1](#) [252169-75](#) [AD158](#) [2101130-1](#) [252186](#) [R114704000W](#) [R114720000W](#) [R125705001](#) [R125705701](#) [R125771000](#) [R125771001W](#)  
[R125791501W](#) [R127704001](#) [R127.870.001](#) [R127872001](#) [R141717000](#) [R142710000](#) [R142723000](#) [R143703000](#) [R143704000](#) [R143705700](#)