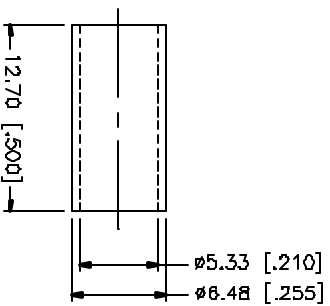
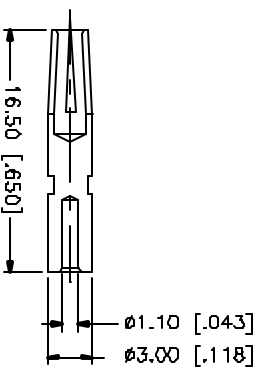
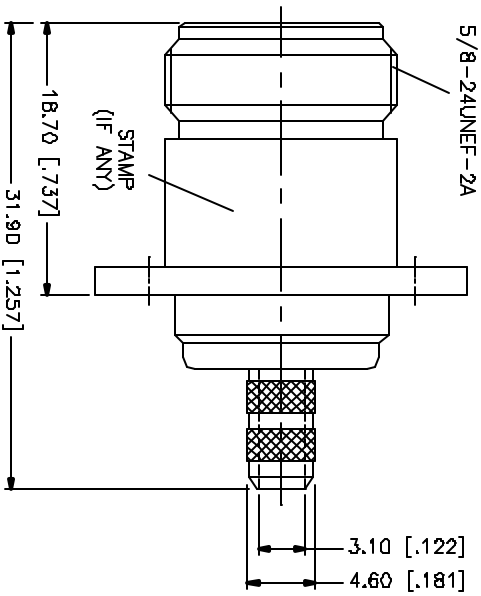
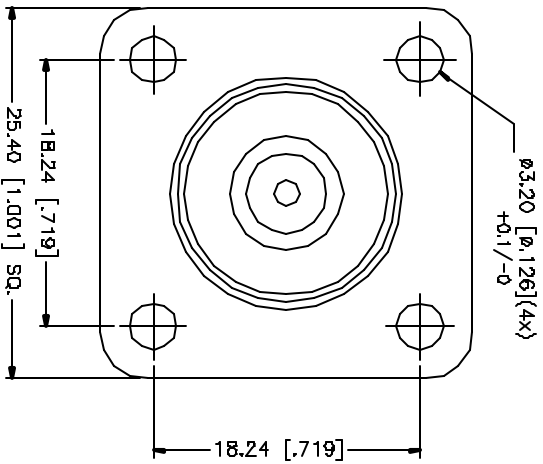
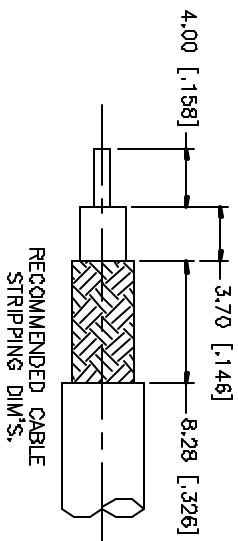


REV.	DATE	DESCRIPTION
A	11/21/03	UPDATE DRAWING FORMAT



- NOTES:
1. CRIMPED FERRULE
HEX. CRIMP SIZE .213"
 2. CRIMPED CONTACT PIN
HEX. CRIMP SIZE .100"

NO.	DESCRIPTION	MATERIAL	FINISH	QTY
1	CONTACT PIN	PHOS. BRONZE	NATURAL	1
2	INSULATOR	TEFLON	NATURAL	1
3	BODY W/PANEL	BRASS	NICKOTE	1
4	FERRULE	COPPER	NICKOTE	1
5	CONTACT PIN	PHOS. BRONZE	GOLD	1
6	INSULATOR	TEFLON	NATURAL	1
7	BODY W/PANEL	BRASS	NICKOTE	1
8	DESCRIPTION	MATERIAL	FINISH	QTY

APPROVALS	DATE
DRAWN G.R.S.	11/21/03
CHECKED	
ISSUED	
SHEET 1 OF 1	

PART DESCRIPTION	PART NO.
N PANEL CRIMP JACK RGS8/U CABLE	172208

UNLESS OTHERWISE SPECIFIED, DIMENSIONS ARE IN MILLIMETERS (DIMENSIONS IN [] ARE IN INCHES AND FOR CUSTOMER REFERENCE ONLY.)
USE THE FOLLOWING DIMENSIONS FOR MILLIMETER AND INCH DIMENSIONS:
D.5 - 8mm ± 0.20mm
9 - 30mm ± 0.40mm
30 - 120mm ± 0.50mm
USE THE FOLLOWING DIMENSIONS FOR INCH DIMENSIONS:
.020 - .315 - ± 0.0127"
.315 - 1.180 - ± 0.0127"
1.180 - 4.724 - ± 0.0254"

APPROVALS	DATE
DRAWN G.R.S.	11/21/03
CHECKED	
ISSUED	
SHEET 1 OF 1	

PART DESCRIPTION	PART NO.
N PANEL CRIMP JACK RGS8/U CABLE	172208

UNLESS OTHERWISE SPECIFIED, DIMENSIONS ARE IN MILLIMETERS (DIMENSIONS IN [] ARE IN INCHES AND FOR CUSTOMER REFERENCE ONLY.)
USE THE FOLLOWING DIMENSIONS FOR MILLIMETER AND INCH DIMENSIONS:
D.5 - 8mm ± 0.20mm
9 - 30mm ± 0.40mm
30 - 120mm ± 0.50mm
USE THE FOLLOWING DIMENSIONS FOR INCH DIMENSIONS:
.020 - .315 - ± 0.0127"
.315 - 1.180 - ± 0.0127"
1.180 - 4.724 - ± 0.0254"

APPROVALS	DATE
DRAWN G.R.S.	11/21/03
CHECKED	
ISSUED	
SHEET 1 OF 1	

PART DESCRIPTION	PART NO.
N PANEL CRIMP JACK RGS8/U CABLE	172208

UNLESS OTHERWISE SPECIFIED, DIMENSIONS ARE IN MILLIMETERS (DIMENSIONS IN [] ARE IN INCHES AND FOR CUSTOMER REFERENCE ONLY.)
USE THE FOLLOWING DIMENSIONS FOR MILLIMETER AND INCH DIMENSIONS:
D.5 - 8mm ± 0.20mm
9 - 30mm ± 0.40mm
30 - 120mm ± 0.50mm
USE THE FOLLOWING DIMENSIONS FOR INCH DIMENSIONS:
.020 - .315 - ± 0.0127"
.315 - 1.180 - ± 0.0127"
1.180 - 4.724 - ± 0.0254"

APPROVALS	DATE
DRAWN G.R.S.	11/21/03
CHECKED	
ISSUED	
SHEET 1 OF 1	

PART DESCRIPTION	PART NO.
N PANEL CRIMP JACK RGS8/U CABLE	172208

UNLESS OTHERWISE SPECIFIED, DIMENSIONS ARE IN MILLIMETERS (DIMENSIONS IN [] ARE IN INCHES AND FOR CUSTOMER REFERENCE ONLY.)
USE THE FOLLOWING DIMENSIONS FOR MILLIMETER AND INCH DIMENSIONS:
D.5 - 8mm ± 0.20mm
9 - 30mm ± 0.40mm
30 - 120mm ± 0.50mm
USE THE FOLLOWING DIMENSIONS FOR INCH DIMENSIONS:
.020 - .315 - ± 0.0127"
.315 - 1.180 - ± 0.0127"
1.180 - 4.724 - ± 0.0254"

APPROVALS	DATE
DRAWN G.R.S.	11/21/03
CHECKED	
ISSUED	
SHEET 1 OF 1	

PART DESCRIPTION	PART NO.
N PANEL CRIMP JACK RGS8/U CABLE	172208

UNLESS OTHERWISE SPECIFIED, DIMENSIONS ARE IN MILLIMETERS (DIMENSIONS IN [] ARE IN INCHES AND FOR CUSTOMER REFERENCE ONLY.)
USE THE FOLLOWING DIMENSIONS FOR MILLIMETER AND INCH DIMENSIONS:
D.5 - 8mm ± 0.20mm
9 - 30mm ± 0.40mm
30 - 120mm ± 0.50mm
USE THE FOLLOWING DIMENSIONS FOR INCH DIMENSIONS:
.020 - .315 - ± 0.0127"
.315 - 1.180 - ± 0.0127"
1.180 - 4.724 - ± 0.0254"

APPROVALS	DATE
DRAWN G.R.S.	11/21/03
CHECKED	
ISSUED	
SHEET 1 OF 1	

PART DESCRIPTION	PART NO.
N PANEL CRIMP JACK RGS8/U CABLE	172208

Amphenol **Connex**

N PANEL CRIMP JACK
RGS8/U CABLE

172208

DWG. NO. 172208.DWG REV. A SIZE A SCALE NA

X-ON Electronics

Largest Supplier of Electrical and Electronic Components

Click to view similar products for [RF Connectors / Coaxial Connectors](#) category:

Click to view products by [Amphenol](#) manufacturer:

Other Similar products are found below :

[8915-1511-000](#) [89674-0827](#) [6001-7071-019](#) [6002-7051-003](#) [6002-7551-202](#) [6059674-1](#) [619550-1](#) [630059-000](#) [M39030/3-01N](#) [6500-7071-046](#) [6769](#) [CX050L2AQ](#) [7002-1542-011](#) [7004-1512-000](#) [7009-1511-004](#) [7010-1511-000](#) [7029-1511-060](#) [7101-1541-010](#) [7101-1571-002](#) [7105-1521-002](#) [7145-1521-002](#) [7203-1571-003](#) [7209-1511-011](#) [7210-1511-015](#) [7210-1511-019](#) [73137-5015](#) [73216-2241](#) [7325-1512-000](#) [73404-2300](#) [7405-1521-005](#) [7405-1521-802](#) [7406-1521-005](#) [8527](#) [8547](#) [FS11V](#) [8808-1511-001](#) [9049-9513-000](#) [9074-9513-000](#) [9101-9573-002](#) [910A205F](#) [9130-9573-002](#) [PL11SC-026](#) [PL375-33](#) [PL40-5](#) [PL71-9](#) [PL74C-221](#) [PL75MC-217](#) [PL803-7](#) [980-8666-005](#) [1200690078](#)