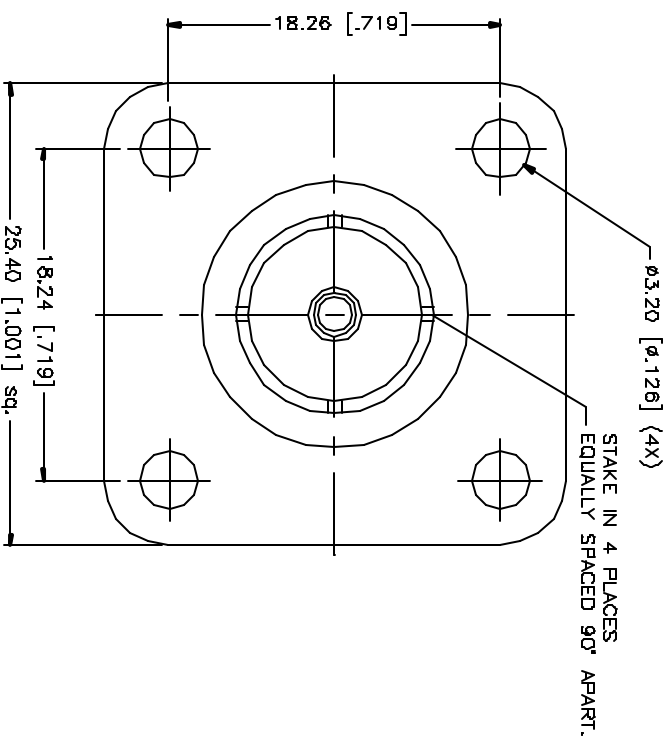
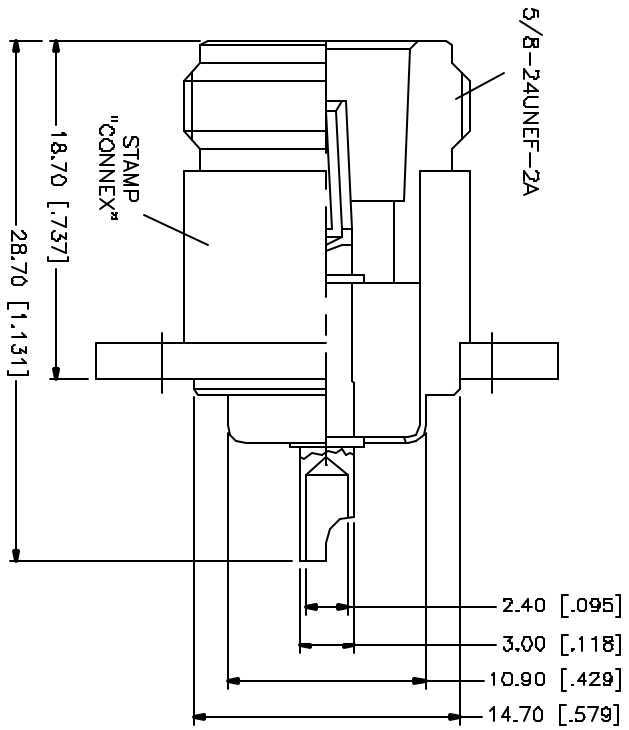


REV.	DATE	DESCRIPTION
A	05/01/04	UPDATE DRAWING FORMAT



REV.	DATE	DESCRIPTION
8		
7		
6		
5		
4		
3		
2		
1		

DESCRIPTION	MATERIAL	FINISH	QTY
CONTACT PIN	PHOS. BRONZE	GOLD	1
INSULATOR	TEFLON	NATURAL	1
BODY	BRASS	NECOTE	1

UNLESS OTHERWISE SPECIFIED DIMENSIONS ARE IN INCHES AND THE DECIMAL EQUIVALENT (MM).
TOLERANCES FOR HULLS AND AREAS
0.15 - 30mm ± 0.20mm
30 - 120mm ± 0.50mm
120 - 300mm ± 0.75mm
300 - 1200mm ± 1.00mm
1200 - 3000mm ± 1.50mm
3000 - 10000mm ± 2.00mm
10000mm and over ± 2.50mm

UNLESS OTHERWISE SPECIFIED DIMENSIONS ARE IN MILLIMETERS AND THE DECIMAL EQUIVALENT (INCH).
TOLERANCES FOR HULLS AND AREAS
0.15 - 30mm ± 0.20mm
30 - 120mm ± 0.50mm
120 - 300mm ± 0.75mm
300 - 1200mm ± 1.00mm
1200 - 3000mm ± 1.50mm
3000 - 10000mm ± 2.00mm
10000mm and over ± 2.50mm

APPROVALS	DATE
DRAWN G.R.S.	05/01/04

CAD FILE	DWG. NO.	REV.	SIZE	SCALE
C:/1722/172210.DWG	172210.DWG	A	A	NA

PART DESCRIPTION	PART NO.
N PANEL RECEPT, CAPTIVE CENTER CONTACT	172210

## X-ON Electronics

Largest Supplier of Electrical and Electronic Components

*Click to view similar products for [RF Connectors / Coaxial Connectors](#) category:*

*Click to view products by [Amphenol](#) manufacturer:*

Other Similar products are found below :

[8915-1511-000](#) [89674-0827](#) [6001-7071-019](#) [6002-7051-003](#) [6002-7551-202](#) [6059674-1](#) [619550-1](#) [630059-000](#) [M39030/3-01N](#) [M3933/25-36N](#) [6500-7071-046](#) [6769](#) [CX050L2AQ](#) [7002-1542-011](#) [7004-1512-000](#) [7009-1511-004](#) [7010-1511-000](#) [7029-1511-060](#) [7101-1541-010](#) [7101-1571-002](#) [7105-1521-002](#) [7145-1521-002](#) [7203-1571-003](#) [7209-1511-011](#) [7210-1511-015](#) [7210-1511-019](#) [73137-5015](#) [73216-2241](#) [7325-1512-000](#) [73404-2300](#) [7405-1521-005](#) [7405-1521-802](#) [7406-1521-005](#) [8527](#) [8547](#) [FS11V](#) [8808-1511-001](#) [9049-9513-000](#) [9074-9513-000](#) [9101-9573-002](#) [910A205F](#) [9130-9573-002](#) [PL11SC-026](#) [PL375-33](#) [PL40-5](#) [PL71-9](#) [PL74C-221](#) [PL75MC-217](#) [PL803-7](#) [980-8666-005](#)