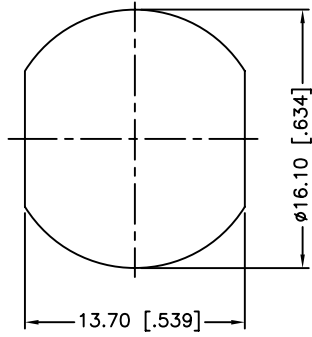
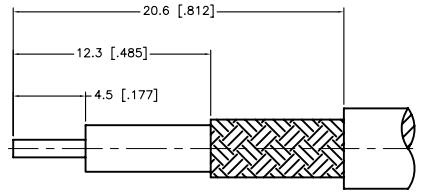


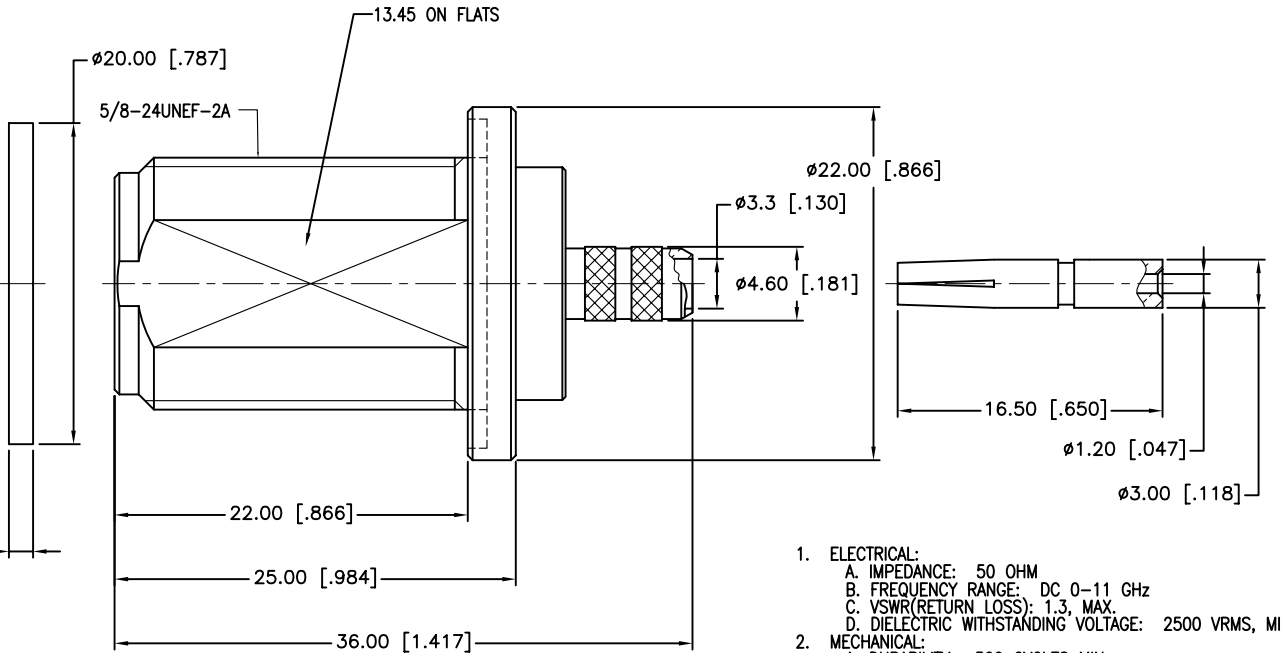
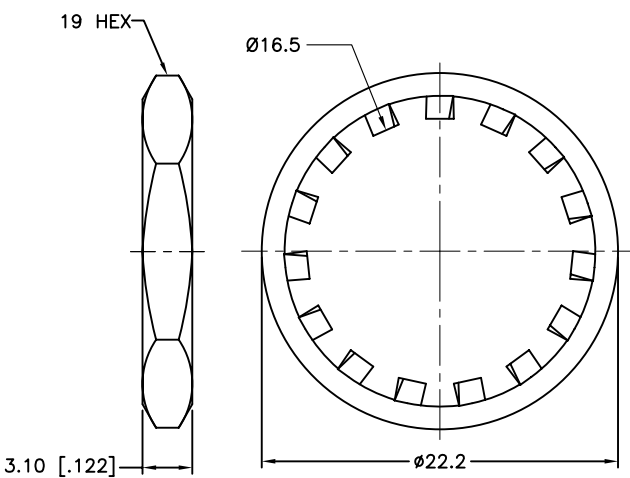
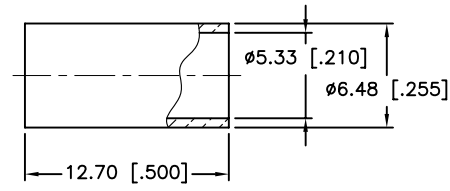
| REV. | DATE | ECR NO. | DESCRIPTION |
|------|----------|---------|-----------------|
| NC | 08/10/98 | XXXXXX | INITIAL RELEASE |
| A | 05/25/12 | 2318 | UPDATE FORMAT |



RECOMMENDED MOUNTING HOLE



RECOMMENDED CABLE STRIPPING DIM'S



- ELECTRICAL:
 - A. IMPEDANCE: 50 OHM
 - B. FREQUENCY RANGE: DC 0-11 GHz
 - C. VSWR(RETURN LOSS): 1.3, MAX.
 - D. DIELECTRIC WITHSTANDING VOLTAGE: 2500 VRMS, MIN.
- MECHANICAL:
 - A. DURABILITY: 500 CYCLES MIN.
 - B. TEMPERATURE RANGE: - 40°C to +155°C
- CRIMPED FERRULE
 - HEX CRIMP SIZE .213"
 - CRIMPED CONTACT PIN
 - HEX CRIMP SIZE .100"

| QTY | FINISH | MATERIAL | DESCRIPTION |
|-----|---------|-----------------|-------------|
| 1 | NEXCOTE | BRASS | BODY |
| 2 | NATURAL | PTFE | INSULATOR |
| 3 | NEXCOTE | BRASS | BARREL |
| 4 | RED | SILICONE RUBBER | GASKET |
| 5 | NEXCOTE | BRASS | LOCK WASHER |
| 6 | NEXCOTE | BRASS | HEX NUT |
| 7 | GOLD | PHOSPHOR BRONZE | CONTACT PIN |
| 8 | 1 | BRASS | FERRULE |

UNLESS OTHERWISE SPECIFIED DIMENSIONS ARE IN MILLIMETERS; DIMENSIONS IN [] ARE IN INCHES AND FOR CUSTOMER REFERENCE ONLY.

UNLESS OTHERWISE SPECIFIED TOLERANCES FOR MILLIMETERS ARE:
 0.5 - 8mm ± 0.20mm
 8 - 30mm ± 0.40mm
 30 - 120mm ± 0.50mm

UNLESS OTHERWISE SPECIFIED TOLERANCES FOR INCHES ARE:
 .020 - .315 = ± 0.007"
 .315 - 1.180 = ± 0.015"
 1.180 - 4.724 = ± 0.020"

DO NOT SCALE DRAWING

| APPROVALS | DATE |
|--------------|----------------------|
| DRAWN S.LI | 05/25/12 |
| CHECKED | |
| ISSUED | |
| SHEET 1 OF 1 | |
| CAD FILE | C:/CONNEX/172217.DWG |

Amphenol Connex

PART DESCRIPTION
**N BULKHEAD CRIMP JACK - LMR 200
 (FOR RG-174/U,188A/U,316/U CABLE)**

PART NO.
172217

| | | | | | | | |
|----------|--------|------|---|------|---|-------|----|
| DWG. NO. | 172217 | REV. | A | SIZE | A | SCALE | NA |
|----------|--------|------|---|------|---|-------|----|

X-ON Electronics

Largest Supplier of Electrical and Electronic Components

Click to view similar products for [RF Connectors / Coaxial Connectors](#) category:

Click to view products by [Amphenol](#) manufacturer:

Other Similar products are found below :

[8915-1511-000](#) [89674-0827](#) [6001-7071-019](#) [6002-7051-003](#) [6002-7551-202](#) [6059674-1](#) [619550-1](#) [630059-000](#) [M39030/3-01N](#) [M3933/25-36N](#) [6500-7071-046](#) [6769](#) [CX050L2AQ](#) [7002-1542-011](#) [7004-1512-000](#) [7009-1511-004](#) [7010-1511-000](#) [7029-1511-060](#) [7101-1541-010](#) [7101-1571-002](#) [7105-1521-002](#) [7145-1521-002](#) [7203-1571-003](#) [7209-1511-011](#) [7210-1511-015](#) [7210-1511-019](#) [73137-5015](#) [73216-2241](#) [7325-1512-000](#) [73404-2300](#) [7405-1521-005](#) [7405-1521-802](#) [7406-1521-005](#) [8527](#) [8547](#) [FS11V](#) [8808-1511-001](#) [9049-9513-000](#) [9074-9513-000](#) [9101-9573-002](#) [910A205F](#) [9130-9573-002](#) [PL11SC-026](#) [PL375-33](#) [PL40-5](#) [PL71-9](#) [PL74C-221](#) [PL75MC-217](#) [PL803-7](#) [980-8666-005](#)