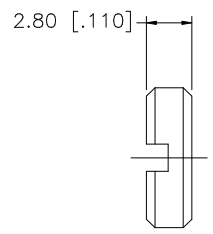
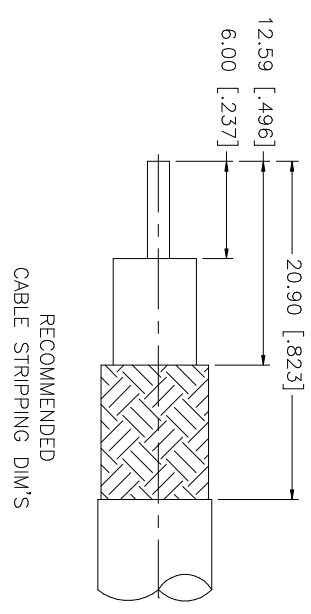
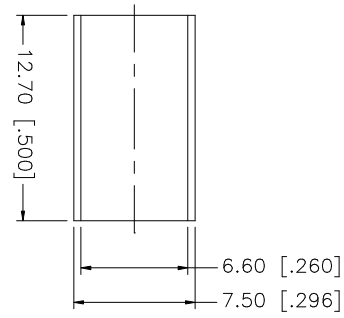
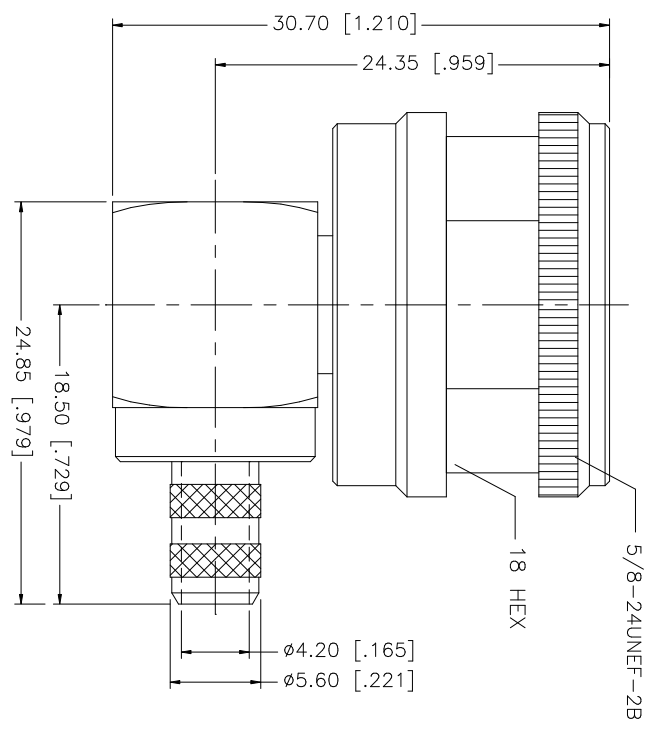


REV.	DATE	DESCRIPTION
NC	07/10/06	INITIAL RELEASE



- NOTES:
1. CRIMPED FERRULE HEX CRIMP SIZE. 255"
 2. CONTACT PIN TO SOLDER.

QTY	DESCRIPTION	MATERIAL	FINISH	QTY	DO NOT SCALE DRAWING	APPROVALS	DATE	PART DESCRIPTION	DWG. NO.	REV.	NC	SIZE	SCALE
1	5/8-24UNEF-2B								172219-10.DWG			A	NA
1	18 HEX												
1	FERRULE	COPPER	NEXCOTE										
1	NUT	BRASS	NEXCOTE										
1	CONTACT PIN	BRASS	GOLD										
1	INSULATOR	TEFLON	NATURAL										
1	BODY	BRASS	NEXCOTE										
	DESCRIPTION	MATERIAL	FINISH	QTY	DO NOT SCALE DRAWING	APPROVALS	DATE	PART DESCRIPTION	DWG. NO.	REV.	NC	SIZE	SCALE

Amphenol Connex

N R/A CRIMP PLUG - HEX COUPLING NUT
(FOR RG-LMR240, 8X CABLE)

172219-10

UNLESS OTHERWISE SPECIFIED DIMENSIONS ARE INCHES AND FOR CUSTOMER REFERENCE ONLY.	UNLESS OTHERWISE SPECIFIED DIMENSIONS ARE MILLIMETERS ONLY.
UNLESS OTHERWISE SPECIFIED DIMENSIONS ARE INCHES AND FOR CUSTOMER REFERENCE ONLY.	UNLESS OTHERWISE SPECIFIED DIMENSIONS ARE MILLIMETERS ONLY.
TOLERANCES FOR MILLIMETERS ARE:	TOLERANCES FOR MILLIMETERS ARE:
0.5 - 8mm ± 0.20mm	0.5 - 8mm ± 0.20mm
8 - 30mm ± 0.40mm	8 - 30mm ± 0.40mm
30 - 120mm ± 0.50mm	30 - 120mm ± 0.50mm
UNLESS OTHERWISE SPECIFIED DIMENSIONS FOR INCHES ARE:	UNLESS OTHERWISE SPECIFIED DIMENSIONS FOR INCHES ARE:
.020 - .315 ± 0.007"	.020 - .315 ± 0.007"
.315 - 1.180 ± 0.015"	.315 - 1.180 ± 0.015"
1.180 - 4.724 ± 0.020"	1.180 - 4.724 ± 0.020"

CAD FILE	ISSUED	CHECKED	DRAWN	DATE
C:/172/172219-10.DWG	1 OF 1		G.R.S.	07/10/06

X-ON Electronics

Largest Supplier of Electrical and Electronic Components

Click to view similar products for [RF Connectors / Coaxial Connectors](#) category:

Click to view products by [Amphenol](#) manufacturer:

Other Similar products are found below :

[8915-1511-000](#) [89674-0827](#) [6001-7071-019](#) [6002-7051-003](#) [6002-7551-202](#) [6059674-1](#) [619550-1](#) [630059-000](#) [M39030/3-01N](#) [M3933/25-36N](#) [6500-7071-046](#) [6769](#) [CX050L2AQ](#) [7002-1542-011](#) [7004-1512-000](#) [7009-1511-004](#) [7010-1511-000](#) [7029-1511-060](#) [7101-1541-010](#) [7101-1571-002](#) [7105-1521-002](#) [7145-1521-002](#) [7203-1571-003](#) [7209-1511-011](#) [7210-1511-015](#) [7210-1511-019](#) [73137-5015](#) [73216-2241](#) [7325-1512-000](#) [73404-2300](#) [7405-1521-005](#) [7405-1521-802](#) [7406-1521-005](#) [8527](#) [8547](#) [FS11V](#) [8808-1511-001](#) [9049-9513-000](#) [9074-9513-000](#) [9101-9573-002](#) [910A205F](#) [9130-9573-002](#) [PL11SC-026](#) [PL375-33](#) [PL40-5](#) [PL71-9](#) [PL74C-221](#) [PL75MC-217](#) [PL803-7](#) [980-8666-005](#)