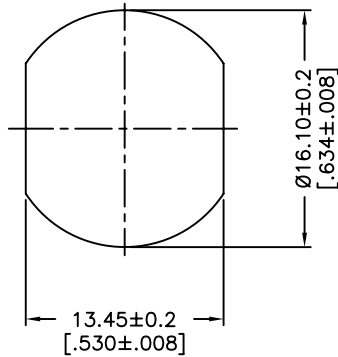
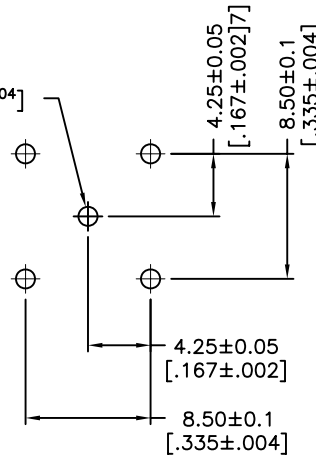


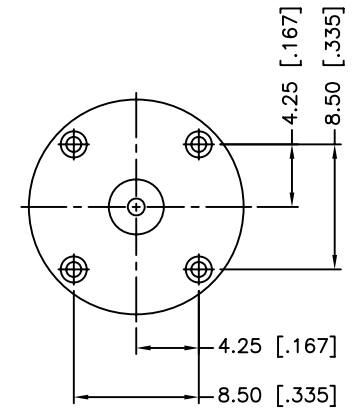
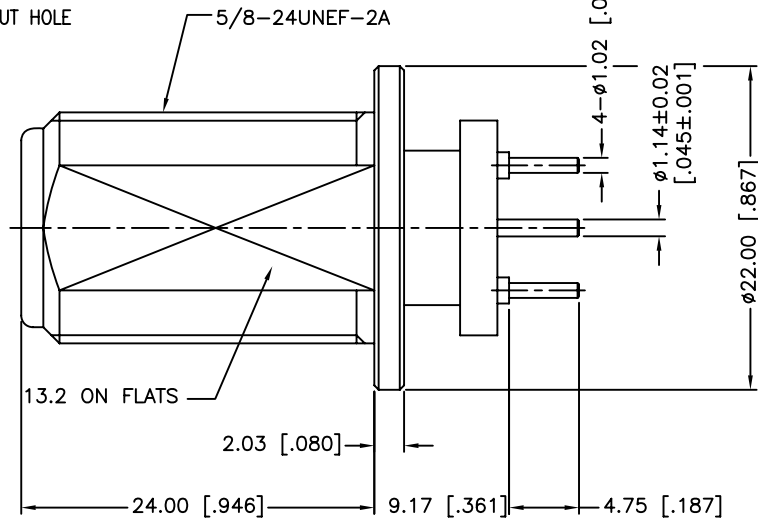
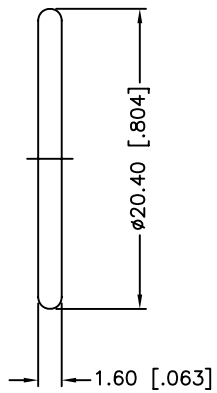
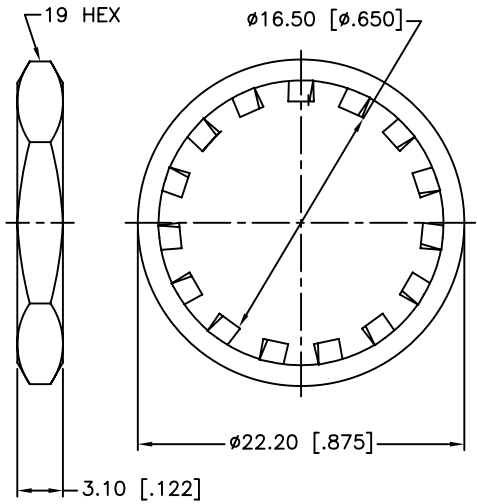
REV.	DATE	ECR NO.	DESCRIPTION
NC	04/28/99	XXXXXX	INITIAL RELEASE
A	06/01/99	XXXXXX	MODIFY PART VIEWS/ADD NOTE 1
B	10/10/06	XXXXXX	UPDATE PART CALL OUT/DRAWING FORMAT
C	5/14/09	XXXXXX	UPDATE BILL OF MATERIAL
D	09/15/10	2097	ADD MOUNTING HOLE AND PCB LAYOUT HOLE
E	03/29/11	2155	ADD THE TOLERANCE OF $\phi 1.14$
F	03/28/13	DM12010103F	UPDATE DRAWING FORMAT,ADD ELECTRICAL AND MECHANICAL NOTES



RECOMMENDED MOUNTING HOLE



PCB LAYOUT HOLE



NOTES:

1. MEETS STANDARD N SERIES INTERFACE DIMENSIONS PER MIL-STD-348
2. IMPEDANCE: 50 OHM
3. FREQUENCY RANGE: DC 0-11 GHZ
4. DIELECTRIC WITHSTANDING VOLTAGE: 1500 VRMS, MIN.
5. DURABILITY: 500 CYCLES MIN.
6. TEMPERATURE RANGE: -65°C TO +165°C

DESCRIPTION	MATERIAL	FINISH	QTY
8 HEX NUT	BRASS	NEXCOTE	1
7 LOCK WASHER	BRASS	NEXCOTE	1
6 GASKET	SILICONE	RED	1
5 PIN	BRASS	BRIGHT TIN	1
4 INNER BODY	BRASS	NEXCOTE	1
3 CONTACT PIN	BER. COPPER	GOLD	1
2 INSULATOR	PTFE	NATURAL	1
1 BODY	BRASS	NEXCOTE	1

UNLESS OTHERWISE SPECIFIED DIMENSIONS ARE IN MILLIMETERS. DIMENSIONS IN [] ARE IN INCHES AND FOR CUSTOMER REFERENCE ONLY.
 UNLESS OTHERWISE SPECIFIED TOLERANCES FOR MILLIMETERS ARE:
 <0.5 ± 0.05mm
 0.5 - 6mm ± 0.10mm
 6 - 30mm ± 0.20mm
 30 - 120mm ± 0.30mm
 ANGLES ± 1°
 UNLESS OTHERWISE SPECIFIED TOLERANCES FOR INCHES ARE:
 <.020 ± 0.002"
 .020 - .236 = ± 0.004"
 .236 - 1.180 = ± 0.007"
 1.180 - 4.724 = ± 0.012"
 ANGLES ± 1°
 DO NOT SCALE DRAWING

APPROVALS	DATE
DRAWN S.LI	03/28/12
CHECKED	
ISSUED	
SHEET 1 OF 1	
CAD FILE C:/CONNEX/172243.DWG	

Amphenol Connex

PART DESCRIPTION
N BULKHEAD PCB MOUNT RECEPT. JACK

PART NO. **172243**

DWG. NO. 172243.DWG REV. F SIZE A SCALE NA

X-ON Electronics

Largest Supplier of Electrical and Electronic Components

Click to view similar products for [RF Connectors / Coaxial Connectors](#) category:

Click to view products by [Amphenol](#) manufacturer:

Other Similar products are found below :

[8915-1511-000](#) [89674-0827](#) [6001-7071-019](#) [6002-7051-003](#) [6002-7551-202](#) [6059674-1](#) [619550-1](#) [630059-000](#) [M39030/3-01N](#) [6500-7071-046](#) [6769](#) [CX050L2AQ](#) [7002-1542-011](#) [7004-1512-000](#) [7009-1511-004](#) [7010-1511-000](#) [7029-1511-060](#) [7101-1541-010](#) [7101-1571-002](#) [7105-1521-002](#) [7145-1521-002](#) [7203-1571-003](#) [7209-1511-011](#) [7210-1511-015](#) [7210-1511-019](#) [73137-5015](#) [73216-2241](#) [7325-1512-000](#) [73404-2300](#) [7405-1521-005](#) [7405-1521-802](#) [7406-1521-005](#) [8527](#) [8547](#) [FS11V](#) [8808-1511-001](#) [9049-9513-000](#) [9074-9513-000](#) [9101-9573-002](#) [910A205F](#) [9130-9573-002](#) [PL11SC-026](#) [PL375-33](#) [PL40-5](#) [PL71-9](#) [PL74C-221](#) [PL75MC-217](#) [PL803-7](#) [980-8666-005](#) [1200690078](#)