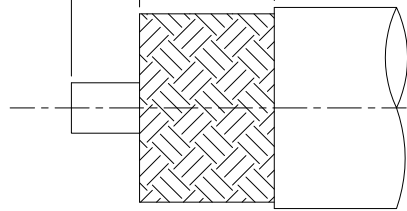
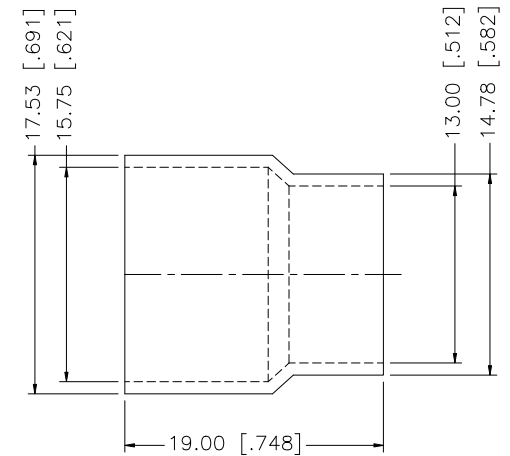
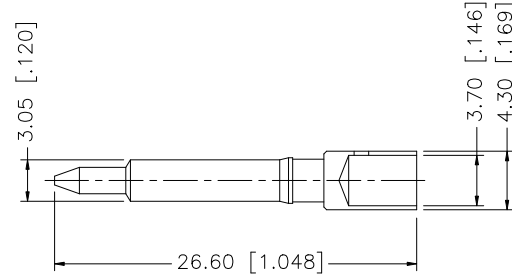
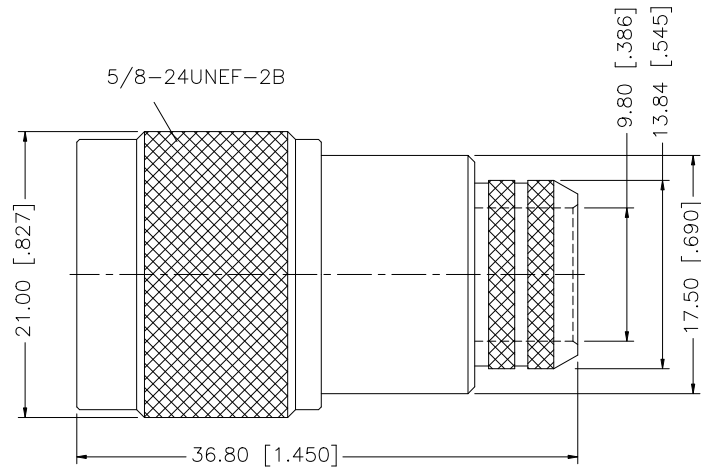


REV.	DATE	DESCRIPTION
NC	11/24/99	INITIAL RELEASE
A	10/27/07	UPDATE DRAWING FORMAT, ADD NOTES

5.00 [.197] 9.90 [.390]



RECOMMENDED
CABLE STRIPPING DIM'S



NOTE:

1. PLEASE CONTACT AMPHENOL CONNEX FOR CRIMP TOOL INFORMATION.

8					<small>UNLESS OTHERWISE SPECIFIED DIMENSIONS ARE IN MILLIMETERS. DIMENSIONS IN [] ARE IN INCHES AND FOR CUSTOMER REFERENCE ONLY.</small> <small>UNLESS OTHERWISE SPECIFIED TOLERANCES FOR MILLIMETERS ARE: 0.5 - 8mm ± 0.20mm 8 - 30mm ± 0.40mm 30 - 120mm ± 0.50mm</small> <small>UNLESS OTHERWISE SPECIFIED TOLERANCES FOR INCHES ARE: .020 - .315 = ± 0.007" .315 - 1.180 = ± 0.015" 1.180 - 4.724 = ± 0.020"</small>	APPROVALS	DATE	<h1 style="color: blue; text-align: center;">Amphenol Connex</h1>			
7				DRAWN		G.R.S.	10/27/07				
6				CHECKED				PART DESCRIPTION <h2 style="text-align: center;">N CRIMP PLUG (FOR FLEXIBLE LMR 500 CABLE)</h2>			
5				ISSUED							
4	FERRULE	COPPER	NEXCOTE	1	SHEET	1 OF 1	PART NO. <h2 style="text-align: center;">172259</h2>				
3	CONTACT PIN	PHOS. BRONZE	GOLD	1							
2	INSULATOR	TEFLON	NATURAL	1			DWG. NO. 172259.DWG				
1	BODY	BRASS	NEXCOTE	1							REV. A
DESCRIPTION				MATERIAL	FINISH	QTY	DO NOT SCALE DRAWING				
				CAD FILE				C:/172/172259.DWG			

X-ON Electronics

Largest Supplier of Electrical and Electronic Components

Click to view similar products for [RF Connectors / Coaxial Connectors](#) category:

Click to view products by [Amphenol](#) manufacturer:

Other Similar products are found below :

[8915-1511-000](#) [89674-0827](#) [6001-7071-019](#) [6002-7051-003](#) [6002-7551-202](#) [6059674-1](#) [619550-1](#) [630059-000](#) [M39030/3-01N](#) [6500-7071-046](#) [6769](#) [CX050L2AQ](#) [7002-1542-011](#) [7004-1512-000](#) [7009-1511-004](#) [7010-1511-000](#) [7029-1511-060](#) [7101-1541-010](#) [7101-1571-002](#) [7105-1521-002](#) [7145-1521-002](#) [7203-1571-003](#) [7209-1511-011](#) [7210-1511-015](#) [7210-1511-019](#) [73137-5015](#) [73216-2241](#) [7325-1512-000](#) [73404-2300](#) [7405-1521-005](#) [7405-1521-802](#) [7406-1521-005](#) [8527](#) [8547](#) [FS11V](#) [8808-1511-001](#) [9049-9513-000](#) [9074-9513-000](#) [9101-9573-002](#) [910A205F](#) [9130-9573-002](#) [PL11SC-026](#) [PL375-33](#) [PL40-5](#) [PL71-9](#) [PL74C-221](#) [PL75MC-217](#) [PL803-7](#) [980-8666-005](#) [1200690078](#)