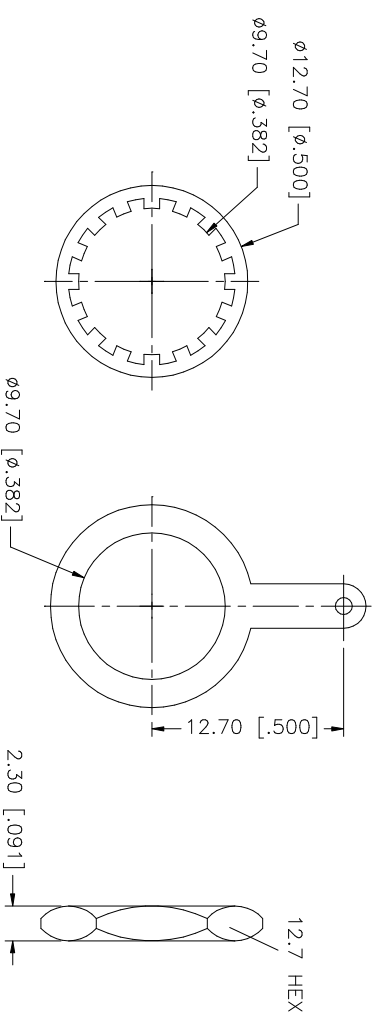
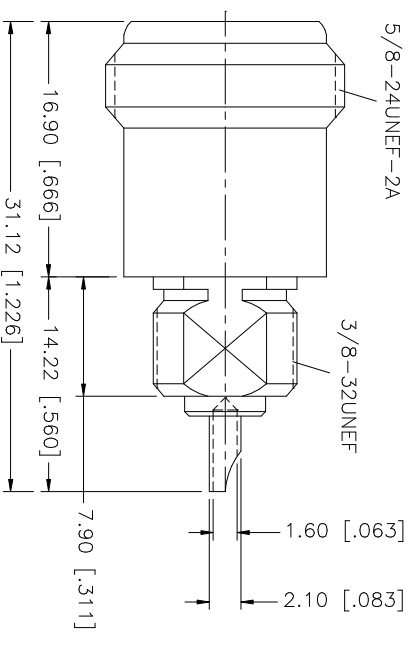
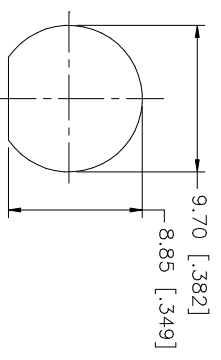


REV.	DATE	DESCRIPTION
A	01/30/04	UPDATE DRAWING FORMAT

RECOMMENDED MOUNTING HOLE DIMENSIONS



NO.	DESCRIPTION	MATERIAL	FINISH	QTY	UNLESS OTHERWISE SPECIFIED, DIMENSIONS ARE IN MILLIMETERS. DIMENSIONS IN INCHES ARE IN PARENTHESES. DIMENSIONS IN INCHES AND FOR CUSTOMER REFERENCE ONLY.	UNLESS OTHERWISE SPECIFIED, DIMENSIONS ARE IN MILLIMETERS. DIMENSIONS IN INCHES ARE IN PARENTHESES. DIMENSIONS IN INCHES AND FOR CUSTOMER REFERENCE ONLY.	UNLESS OTHERWISE SPECIFIED, DIMENSIONS ARE IN MILLIMETERS. DIMENSIONS IN INCHES ARE IN PARENTHESES. DIMENSIONS IN INCHES AND FOR CUSTOMER REFERENCE ONLY.	UNLESS OTHERWISE SPECIFIED, DIMENSIONS ARE IN MILLIMETERS. DIMENSIONS IN INCHES ARE IN PARENTHESES. DIMENSIONS IN INCHES AND FOR CUSTOMER REFERENCE ONLY.	UNLESS OTHERWISE SPECIFIED, DIMENSIONS ARE IN MILLIMETERS. DIMENSIONS IN INCHES ARE IN PARENTHESES. DIMENSIONS IN INCHES AND FOR CUSTOMER REFERENCE ONLY.	UNLESS OTHERWISE SPECIFIED, DIMENSIONS ARE IN MILLIMETERS. DIMENSIONS IN INCHES ARE IN PARENTHESES. DIMENSIONS IN INCHES AND FOR CUSTOMER REFERENCE ONLY.	
8											
7											
6	HEX NUT	BRASS	NEXCOTE	1							
5	SOLDER TAG	BRASS	NEXCOTE	1							
4	LOCK WASHER	BRASS	NEXCOTE	1							
3	CONTACT PIN	BER. COPPER	GOLD	1							
2	INSULATOR BODY	TEFLON BRASS	NATURAL NEXCOTE	1							
1											
DESCRIPTION					UNLESS OTHERWISE SPECIFIED, DIMENSIONS ARE IN MILLIMETERS. DIMENSIONS IN INCHES ARE IN PARENTHESES. DIMENSIONS IN INCHES AND FOR CUSTOMER REFERENCE ONLY.						
MATERIAL					UNLESS OTHERWISE SPECIFIED, DIMENSIONS ARE IN MILLIMETERS. DIMENSIONS IN INCHES ARE IN PARENTHESES. DIMENSIONS IN INCHES AND FOR CUSTOMER REFERENCE ONLY.						
FINISH					UNLESS OTHERWISE SPECIFIED, DIMENSIONS ARE IN MILLIMETERS. DIMENSIONS IN INCHES ARE IN PARENTHESES. DIMENSIONS IN INCHES AND FOR CUSTOMER REFERENCE ONLY.						
QTY					UNLESS OTHERWISE SPECIFIED, DIMENSIONS ARE IN MILLIMETERS. DIMENSIONS IN INCHES ARE IN PARENTHESES. DIMENSIONS IN INCHES AND FOR CUSTOMER REFERENCE ONLY.						
DO NOT SCALE DRAWING					UNLESS OTHERWISE SPECIFIED, DIMENSIONS ARE IN MILLIMETERS. DIMENSIONS IN INCHES ARE IN PARENTHESES. DIMENSIONS IN INCHES AND FOR CUSTOMER REFERENCE ONLY.						
APPROVALS		DATE									
DRAWN G.R.S.		01/30/04									
CHECKED											
ISSUED											
SHEET 1 OF 1											
CAD FILE											
C:/172/172270-11.DWG											
DWG. NO.		172270-11.DWG		REV.		A		SIZE		A	
SCALE		NA		REV.		A		SIZE		A	
PART NO.		172270-11		REV.		A		SIZE		A	
PART DESCRIPTION		N FEMALE BULKHEAD		REV.		A		SIZE		A	
Amphenol Connex				REV.		A		SIZE		A	

## X-ON Electronics

Largest Supplier of Electrical and Electronic Components

*Click to view similar products for [RF Connectors / Coaxial Connectors](#) category:*

*Click to view products by [Amphenol](#) manufacturer:*

Other Similar products are found below :

[8915-1511-000](#) [89674-0827](#) [6001-7071-019](#) [6002-7051-003](#) [6002-7551-202](#) [6059674-1](#) [619550-1](#) [630059-000](#) [M39030/3-01N](#) [M3933/25-36N](#) [6500-7071-046](#) [6769](#) [CX050L2AQ](#) [7002-1542-011](#) [7004-1512-000](#) [7009-1511-004](#) [7010-1511-000](#) [7029-1511-060](#) [7101-1541-010](#) [7101-1571-002](#) [7105-1521-002](#) [7145-1521-002](#) [7203-1571-003](#) [7209-1511-011](#) [7210-1511-015](#) [7210-1511-019](#) [73137-5015](#) [73216-2241](#) [7325-1512-000](#) [73404-2300](#) [7405-1521-005](#) [7405-1521-802](#) [7406-1521-005](#) [8527](#) [8547](#) [FS11V](#) [8808-1511-001](#) [9049-9513-000](#) [9074-9513-000](#) [9101-9573-002](#) [910A205F](#) [9130-9573-002](#) [PL11SC-026](#) [PL375-33](#) [PL40-5](#) [PL71-9](#) [PL74C-221](#) [PL75MC-217](#) [PL803-7](#) [980-8666-005](#)