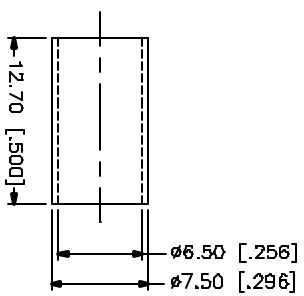
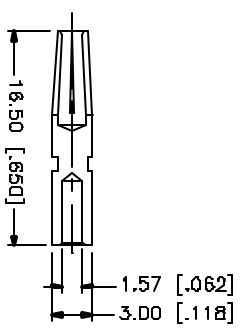
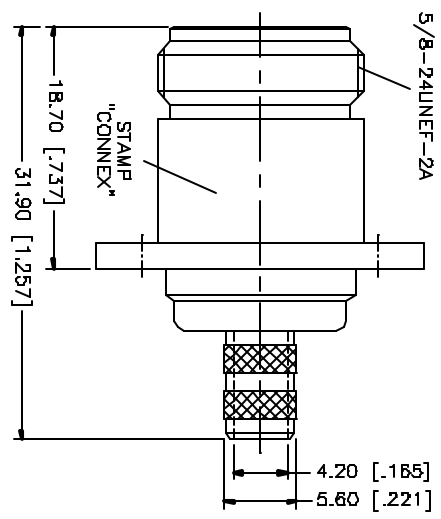
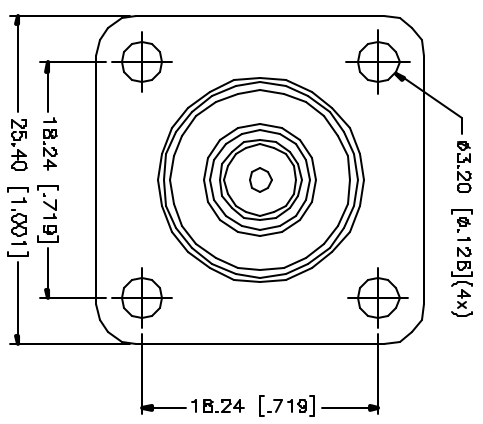
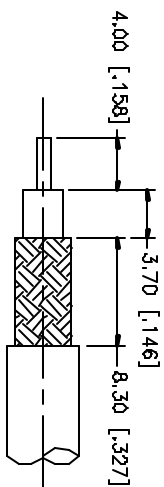


REV.	DATE	DESCRIPTION
A	11/22/04	INITIAL RELEASE



- NOTE:
1. CRIMPED FERRULE  
HEX CRIMP SIZE .255"
  2. CRIMPED CONTACT PIN  
HEX CRIMP SIZE .100"

NO.	DESCRIPTION	MATERIAL	FINISH	QTY
1	BODY	BRASS	NEXXOTE	1
2	INSULATOR	TEFLON	NATURAL	1
3	CONTACT PIN	PHOS. BRONZE	GOLD	1
4	FERRULE	COPPER	NEXXOTE	1
5				
6				
7				
8				

UNLESS OTHERWISE SPECIFIED DIMENSIONS ARE IN INCHES AND FOR OTHERWISE REFER TO THE TOLERANCES FOR DIMENSIONS ARE:	APPROVALS	DATE
UNLESS OTHERWISE SPECIFIED DIMENSIONS ARE:	DRAWN G.R.S.	11/22/04
0.0 - 0.001mm ± 0.001mm	CHECKED	
0.1 - 0.001mm ± 0.001mm	ISSUED	
0.2 - 0.001mm ± 0.001mm	SHEET 1 OF 1	
0.3 - 0.001mm ± 0.001mm		
0.4 - 0.001mm ± 0.001mm		
0.5 - 0.001mm ± 0.001mm		
0.6 - 0.001mm ± 0.001mm		
0.7 - 0.001mm ± 0.001mm		
0.8 - 0.001mm ± 0.001mm		
0.9 - 0.001mm ± 0.001mm		
1.0 - 0.001mm ± 0.001mm		
1.1 - 0.001mm ± 0.001mm		
1.2 - 0.001mm ± 0.001mm		
1.3 - 0.001mm ± 0.001mm		
1.4 - 0.001mm ± 0.001mm		
1.5 - 0.001mm ± 0.001mm		
1.6 - 0.001mm ± 0.001mm		
1.7 - 0.001mm ± 0.001mm		
1.8 - 0.001mm ± 0.001mm		
1.9 - 0.001mm ± 0.001mm		
2.0 - 0.001mm ± 0.001mm		

CAD FILE	C:/172/172319.DWG
DWG. NO.	172319.DWG
REV.	A
SIZE	A
SCALE	NA

PART DESCRIPTION	N PANEL CRIMP JACK (FOR BX, LMR240 CABLE)
PART NO.	172319

## X-ON Electronics

Largest Supplier of Electrical and Electronic Components

*Click to view similar products for [RF Connectors / Coaxial Connectors](#) category:*

*Click to view products by [Amphenol](#) manufacturer:*

Other Similar products are found below :

[8915-1511-000](#) [89674-0827](#) [6001-7071-019](#) [6002-7051-003](#) [6002-7551-202](#) [6059674-1](#) [619550-1](#) [630059-000](#) [M39030/3-01N](#) [M3933/25-36N](#) [6500-7071-046](#) [6769](#) [CX050L2AQ](#) [7002-1542-011](#) [7004-1512-000](#) [7009-1511-004](#) [7010-1511-000](#) [7029-1511-060](#) [7101-1541-010](#) [7101-1571-002](#) [7105-1521-002](#) [7145-1521-002](#) [7203-1571-003](#) [7209-1511-011](#) [7210-1511-015](#) [7210-1511-019](#) [73137-5015](#) [73216-2241](#) [7325-1512-000](#) [73404-2300](#) [7405-1521-005](#) [7405-1521-802](#) [7406-1521-005](#) [8527](#) [8547](#) [FS11V](#) [8808-1511-001](#) [9049-9513-000](#) [9074-9513-000](#) [9101-9573-002](#) [910A205F](#) [9130-9573-002](#) [PL11SC-026](#) [PL375-33](#) [PL40-5](#) [PL71-9](#) [PL74C-221](#) [PL75MC-217](#) [PL803-7](#) [980-8666-005](#)