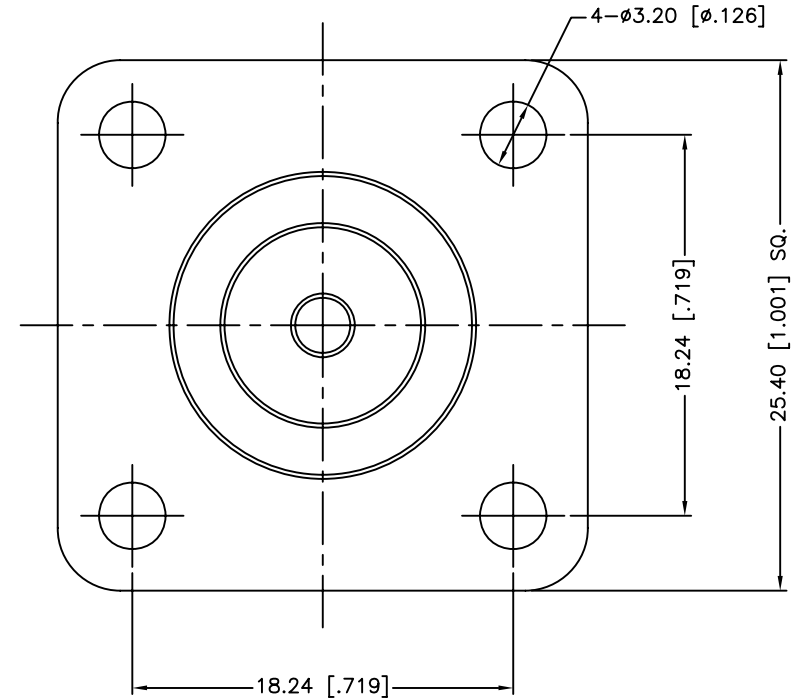
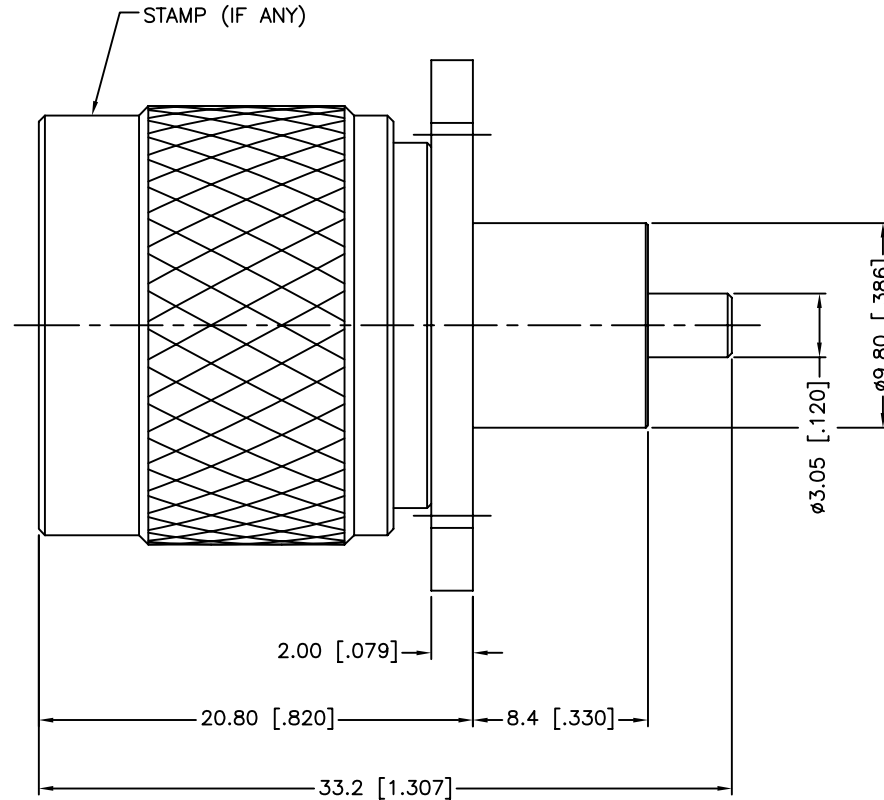


REV.	DATE	ECR NO.	DESCRIPTION
NC	11/26/09	XXXXXX	INITIAL RELEASE
A	03/01/10	2028	CHANGED PART NUMBER FROM 172353 TO 172356



1. FREQUENCY RANGE: DC 0–11 GHz
2. VSWR(RETURN LOSS): 1.10 + .01 f(GHz)

7	CONTACT PIN	BRASS	GOLD	1
6	INSULATOR	PTFE	NATURAL	1
5	BODY WITH PANEL	BRASS	NICKEL	1
4	RETAINING RING	SUS 304	NATURAL	1
3	GASKET	SILICONE	RED	1
2	CONTACT BODY	BRASS	NICKEL	1
1	SHELL	BRASS	NICKEL	1
	DESCRIPTION	MATERIAL	FINISH	QTY

UNLESS OTHERWISE SPECIFIED DIMENSIONS ARE IN MILLIMETERS. DIMENSIONS IN [ ] ARE IN INCHES AND FOR CUSTOMER REFERENCE ONLY.

UNLESS OTHERWISE SPECIFIED TOLERANCES FOR MILLIMETERS ARE:  
0.5 – 8mm ± 0.20mm  
8 – 30mm ± 0.40mm  
30 – 120mm ± 0.50mm

UNLESS OTHERWISE SPECIFIED TOLERANCES FOR INCHES ARE:  
.020 – .315 ± 0.007"  
.315 – 1.180 ± 0.015"  
1.180 – 4.724 ± 0.020"

DO NOT SCALE DRAWING

APPROVALS		DATE
DRAWN	M.ZHANG	03/01/10
CHECKED		
ISSUED		
SHEET	1 OF 1	
CAD FILE	C:/CONNEX/172356.DWG	

# Amphenol Connex

PART DESCRIPTION

N PANEL RECEPT. PLUG WITH STRAIGHT TERMINAL

PART NO.

172356

DWG. NO. 172356.DWG

REV. A

SIZE A

SCALE NA

## X-ON Electronics

Largest Supplier of Electrical and Electronic Components

*Click to view similar products for [RF Connectors / Coaxial Connectors](#) category:*

*Click to view products by [Amphenol](#) manufacturer:*

Other Similar products are found below :

[89674-0827](#) [6059674-1](#) [630059-000](#) [6501-1071-002](#) [6769](#) [7002-1541-010](#) [7002-1572-002](#) [7004-1512-000](#) [7009-1511-004](#) [7101-1541-010](#)  
[7101-1571-002](#) [7105-1521-002](#) [7203-1571-003](#) [7209-1511-011](#) [7210-1511-040](#) [7242-1511-000](#) [7405-1521-005](#) [7405-1521-802](#)  
[804S01D04M040](#) [8527](#) [8547](#) [FS11V](#) [877931](#) [8808-1511-001](#) [9049-9513-000](#) [9074-9513-000](#) [PL11C-026](#) [PL40-36](#) [9408-1113-000](#) [980-](#)  
[8666-005](#) [11 SMA-50-2-6 / 111 NE](#) [11 SMA-50-3-6 / 111 NE](#) [1-201144-1](#) [120919](#) [R107003010W](#) [R112186000](#) [R113053000W](#) [R113082097](#)  
[R113236000](#) [R114083000](#) [R114670000W](#) [R123415000W](#) [R124076320](#) [R124076450](#) [R124175123](#) [R125075000W](#) [R125075001](#)  
[R125172000W](#) [R125415030](#) [R141007161](#)