

NOTE:

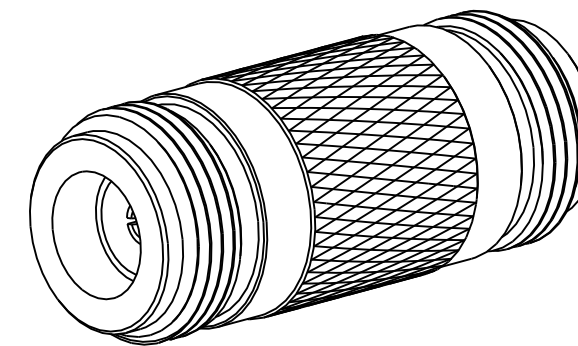
- 1. ELECTRIC PERFORMANCE
  - IMPEDANCE ( $\Omega$ ) : 50
  - FREQUENCY RANGE : DC-6GHz
  - VSWR :  $\leq 1.065$  (DC-3GHz)
  - :  $\leq 1.2$  (3-6GHz)
  - INSERT LOSS (dB) :  $\leq 0.1$
  - PIM(dBc) :  $\leq -160$  (2X43dBm)
  - INSULATION RESISTANCE (M $\Omega$ ) : 5000
  - PROOF VOLTAGE (V) : 2500
  - CONDUCTOR RESISTANCE (m $\Omega$ ) : OUTER CONDUCTOR <0.2
  - : INNER CONDUCTOR <0.8

- II. MECHANICAL PERFORMANCE
  - MECHANICAL WEAR : 500

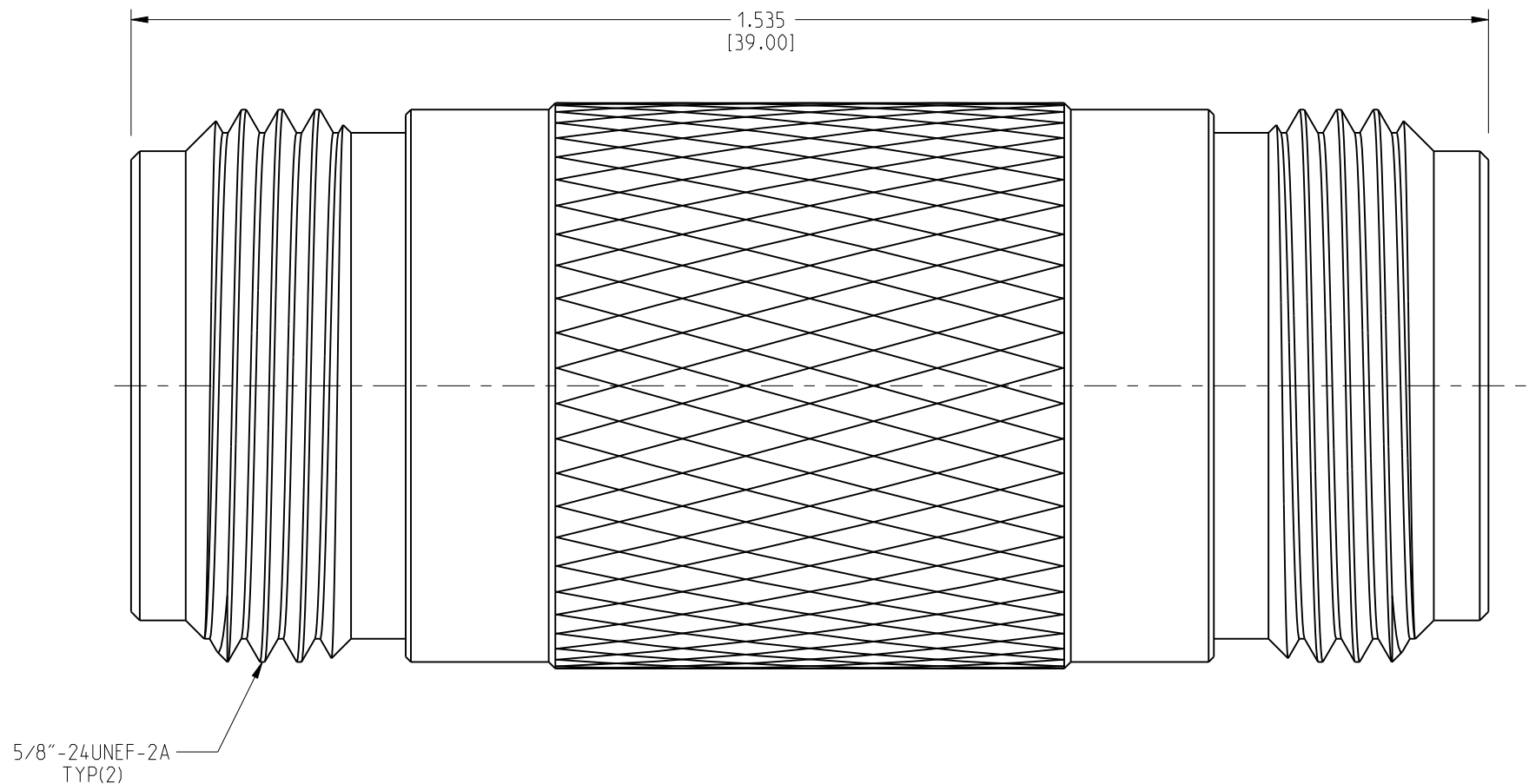
- III. MATERIAL AND PLATING
  - OUTER CONDUCTOR : BRASS PLATING COPPER-TIN-ZINC  $\geq 2 \mu\text{m}$
  - INNER CONDUCTOR : SPRING COPPER PLATING Ag  $\geq 5 \mu\text{m}$
  - INSULATOR : PTFE

- IV. ENVIRONMENT
  - TEMP RANGE : -55 °C TO +155 °C
  - WATERPROOF STANDARD : IP67
  - ROHS COMPLIANT

|                   |     |                 |           |     |      |
|-------------------|-----|-----------------|-----------|-----|------|
| 172370            |     | REVISIONS       |           |     |      |
| DRAWING NO.       | REV | DESCRIPTION     | DATE      | ECO | APPR |
| THIRD ANGLE PROJ. | A   | RELEASE TO MFG. | 01-Oct-12 | --  | MG   |



SCALE 2.000



|    |                 |               |              |     |
|----|-----------------|---------------|--------------|-----|
| 3  | INSULATOR       | PTFE          | NATURAL      | 1   |
| 2  | INNER CONDUCTOR | SPRING COPPER | SILVER       | 1   |
| 1  | OUTER CONDUCTOR | BRASS         | WHITE BRONZE | 1   |
| NO | DESCRIPTION     | MATERIAL      | FINISH       | QTY |

|   |                       |                    |                   |   |                    |              |
|---|-----------------------|--------------------|-------------------|---|--------------------|--------------|
| UNLESS OTHERWISE SPECIFIED, DIMENSIONS ARE IN INCHES AND TOLERANCES ARE:<br>2 PLACE DECIMAL $\pm 0.015$ (0,381 mm)<br>3 PLACE DECIMAL $\pm 0.005$ (0,127 mm)<br>ANGLES $\pm 1^\circ$  | MATERIAL<br>SEE NOTES | DRAWN<br>GOPI M    | DATE<br>01-Oct-12 | TITLE<br>N FEMALE TO N FEMALE<br>ADAPTER, LOW PIM | Amphenol<br>Connex |              |
|   | REFERENCE             | ENGINEER<br>GOPI M | DATE<br>01-Oct-12 |   |                    |              |
| NOTICE - These drawings, specifications, or other data (1) are, and remain the property of Amphenol Corp. (2) must be returned upon request; and (3) are confidential and not to be disclosed to any person other than those to whom they are given by Amphenol Corp. The furnishing of these drawings, specifications, or other data by Amphenol Corp., or to any other person to anyone for any purpose is not to be regarded by implication or otherwise in any manner licensing, granting rights or permitting such holder or any other person to manufacture, use or sell any product, process or design, patented or otherwise, that may in any way be related to or disclosed by said drawings, specifications, or other data. |                       | APPROVED           | DATE              |   | SCALE: 5.3:1       | SHEET 1 OF 1 |
|   |                       | CAD FILE           | DWG SIZE          | DRAWING NO.                                       | REV                |              |
|   |                       | B                  | 172370            | A   |                    |              |

## X-ON Electronics

Largest Supplier of Electrical and Electronic Components

*Click to view similar products for [RF Adapters - In Series category:](#)*

*Click to view products by [Amphenol manufacturer:](#)*

Other Similar products are found below :

[5916-1103-603](#) [5918-1103-000](#) [5919-1503-000](#) [651A505](#) [82-5552](#) [9030-9523-502](#) [A0407000](#) [R114703000W](#) [R125704000](#) [R125771001](#)  
[R141710000W](#) [R141723161](#) [R141730000](#) [R143730700](#) [R143770000](#) [R161703000W](#) [R161730000](#) [R161753000W](#) [R161791530W](#)  
[R201705000](#) [R222705200](#) [R222M40010W](#) [R223703180](#) [R316754000](#) [R405006000](#) [R443162000](#) [AD78TL](#) [HRM-513S](#) [1996352-2](#)  
[2157155-1](#) [252169-75](#) [AD158](#) [2101130-1](#) [252186](#) [R114704000W](#) [R114720000W](#) [R125705001](#) [R125705701](#) [R125771000](#) [R125771001W](#)  
[R125791501W](#) [R127704001](#) [R127.870.001](#) [R127872001](#) [R141717000](#) [R142710000](#) [R142723000](#) [R143703000](#) [R143704000](#) [R143705700](#)