

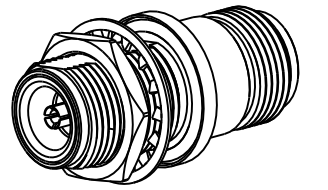
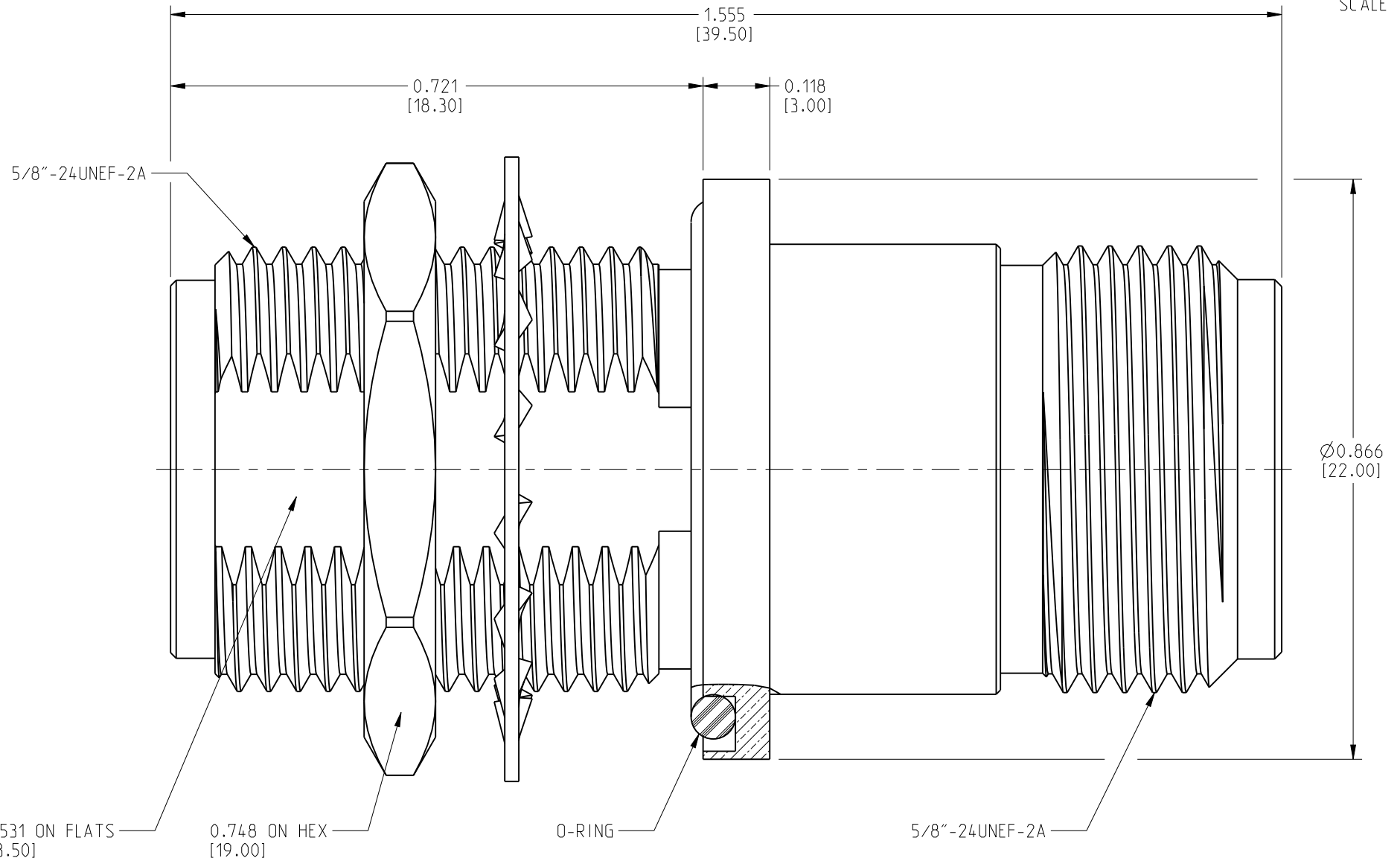
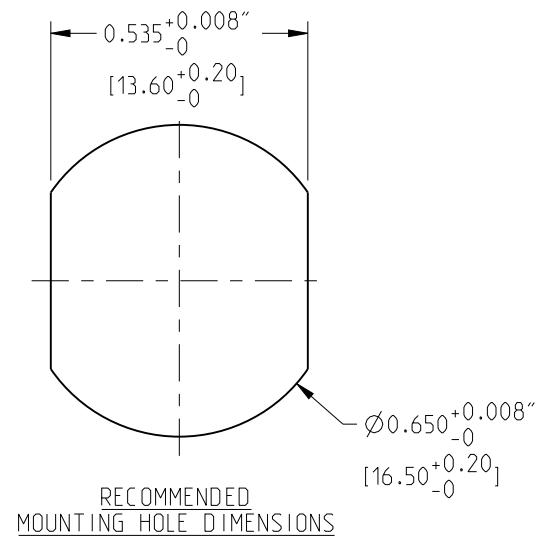
NOTE:

- 1. ELECTRIC PERFORMANCE
 - IMPEDANCE (Ω) : 50
 - FREQUENCY RANGE : DC-6 GHz
 - VSWR : ≤ 1.065 (DC-3GHz)
 - : ≤ 1.25 (3-6GHz)
 - INSERT LOSS (dB) : ≤ 0.1
 - PIM (dBc) : ≤ -160 (2X43dBm)
 - INSULATION RESISTANCE ($M\Omega$) : >5000
 - PROOF VOLTAGE (V) : 2500
 - CONDUCTOR RESISTANCE ($m\Omega$) : OUTER CONDUCTOR <0.2
 - INNER CONDUCTOR <0.8

- II. MECHANICAL PERFORMANCE
 - MECHANICAL WEAR : 500
 - NUT TORQUE : 5N.m

- III. MATERIAL AND PLATING
 - INNER CONDUCTOR : SPRING COPPER PLATING Ag5 μ m
 - OUTER CONDUCTOR : BRASS PLATING COPPER-TIN-ZINC 2 μ m
 - NUT : BRASS PLATING COPPER-TIN-ZINC 2 μ m
 - SPRING WASHER : SPRING COPPER PLATING COPPER-TIN-ZINC 2 μ m
 - INSULATION : PTFE
 - O-RING : SILICON RUBBER

- IV. ENVIRONMENT
 - TEMP RANGE : -55°C TO +155°C
 - WATERPROOF STANDARD : IP67
 - ROHS COMPLIANT



SCALE 1.000

6	LOCK WASHER	SPRING COPPER	WHITE BRONZE	1
5	INSULATOR	PTFE	NATURAL	1
4	O-RING	SILICONE RUBBER		1
3	NUT	BRASS	WHITE BRONZE	1
2	OUTER CONDUCTOR	BRASS	WHITE BRONZE	1
1	INNER CONDUCTOR	SPRING COPPER	SILVER	1
NO	DESCRIPTION	MATERIAL	FINISH	QTY

UNLESS OTHERWISE SPECIFIED, DIMENSIONS ARE IN INCHES AND TOLERANCES ARE:
 2 PLACE DECIMAL 3 PLACE DECIMAL ANGLES
 $\pm .015$ (0,381 mm) $\pm .005$ (0,127 mm) $\pm 1^\circ$

NOTICE - These drawings, specifications, or other data (1) are, and remain the property of Amphenol Corp. (2) must be returned upon request; and (3) are confidential and not to be disclosed to any person other than those to whom they are given by Amphenol Corp. The furnishing of these drawings, specifications, or other data by Amphenol Corp., or to any other person to anyone for any purpose is not to be regarded by implication or otherwise in any manner licensing, granting rights or permitting such holder or any other person to manufacture, use or sell any product, process or design, patented or otherwise, that may in any way be related to or disclosed by said drawings, specifications, or other data.

MATERIAL	SEE NOTES
REFERENCE	

DRAWN	GOPI M	DATE	01-Oct-12
ENGINEER	GOPI M	DATE	01-Oct-12
APPROVED		DATE	
CAD FILE			

TITLE	N FEMALE TO N FEMALE BULKHEAD ADAPTER, LOW PIM
DWG SIZE	B
DRAWING NO.	172371

Amphenol Connex	
SCALE: 5.0:1	SHEET 1 OF 1
REV	A

172371	REVISIONS				
DRAWING NO.	REV	DESCRIPTION	DATE	ECO	APPR
THIRD ANGLE PROJ.	A	RELEASE TO MFG.	01-Oct-12	--	MG

X-ON Electronics

Largest Supplier of Electrical and Electronic Components

Click to view similar products for [RF Adapters - In Series category:](#)

Click to view products by [Amphenol manufacturer:](#)

Other Similar products are found below :

[5916-1103-603](#) [5918-1103-000](#) [5919-1503-000](#) [651A505](#) [82-5552](#) [9030-9523-502](#) [A0407000](#) [R114703000W](#) [R125704000](#) [R125771001](#)
[R141710000W](#) [R141723161](#) [R141730000](#) [R143730700](#) [R143770000](#) [R161703000W](#) [R161730000](#) [R161753000W](#) [R161791530W](#)
[R201705000](#) [R222705200](#) [R222M40010W](#) [R223703180](#) [R316754000](#) [R405006000](#) [R443162000](#) [AD78TL](#) [HRM-513S](#) [1996352-2](#)
[2157155-1](#) [252169-75](#) [AD158](#) [2101130-1](#) [252186](#) [R114704000W](#) [R114720000W](#) [R125705001](#) [R125705701](#) [R125771000](#) [R125771001W](#)
[R125791501W](#) [R127704001](#) [R127.870.001](#) [R127872001](#) [R141717000](#) [R142710000](#) [R142723000](#) [R143703000](#) [R143704000](#) [R143705700](#)