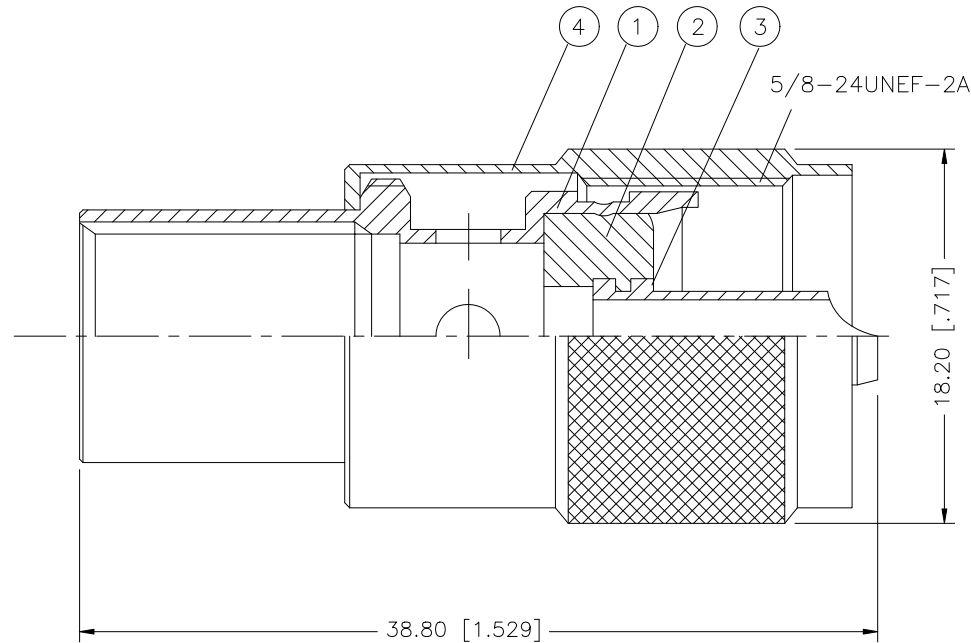


REV.	DATE	ECR NO.	DESCRIPTION
NC	02/17/98	-	INITIAL RELEASE
A	01/05/06	-	UPDATE DRAWING FORMAT
B	12/11/08	-	REVISE COUPLING BODY TO SILVER PLATING
C	03/24/09	-	REVISE INTERNAL BODY CONFIGURATION



REV.	DATE	ECR NO.	DESCRIPTION
8			
7			
6			
5			
4	CONTACT PIN	BRASS	SILVER 1
3	INSULATOR	BAKELITE BROWN	YELLOW 1
2	BODY	BRASS	SILVER 1
1	SHELL	BRASS	NICKEL 1
	DESCRIPTION	MATERIAL	FINISH QTY

UNLESS OTHERWISE SPECIFIED DIMENSIONS ARE IN MILLIMETERS. DIMENSIONS IN [ ] ARE IN INCHES AND FOR CUSTOMER REFERENCE ONLY.		APPROVALS	DATE	<h1 style="color: blue; margin: 0;">Amphenol Connex</h1>
UNLESS OTHERWISE SPECIFIED TOLERANCES FOR MILLIMETERS ARE: 0.5 - 8mm ± 0.20mm 8 - 30mm ± 0.40mm 30 - 120mm ± 0.50mm		DRAWN GRS	03/24/09	
UNLESS OTHERWISE SPECIFIED TOLERANCES FOR INCHES ARE: .020 - .315 = ± 0.007" .315 - 1.180 = ± 0.015" 1.180 - 4.724 = ± 0.020"		CHECKED		
DO NOT SCALE DRAWING		ISSUED		
		SHEET 1 OF 1		PART DESCRIPTION
		CAD FILE C:/182/182116.DWG		UHF SOLDER PLUG (FOR RG-8/U, 11/U CABLE)
				PART NO. 182116
				DWG. NO. 182116.DWG
				REV. C
				SIZE A
				SCALE NA

## X-ON Electronics

Largest Supplier of Electrical and Electronic Components

*Click to view similar products for [RF Connectors / Coaxial Connectors](#) category:*

*Click to view products by [Amphenol](#) manufacturer:*

Other Similar products are found below :

[8915-1511-000](#) [89674-0827](#) [6001-7071-019](#) [6002-7051-003](#) [6002-7551-202](#) [6059674-1](#) [619550-1](#) [630059-000](#) [M39030/3-01N](#) [6500-7071-046](#) [6769](#) [CX050L2AQ](#) [7002-1542-011](#) [7004-1512-000](#) [7009-1511-004](#) [7010-1511-000](#) [7029-1511-060](#) [7101-1541-010](#) [7101-1571-002](#) [7105-1521-002](#) [7145-1521-002](#) [7203-1571-003](#) [7209-1511-011](#) [7210-1511-015](#) [7210-1511-019](#) [73137-5015](#) [73216-2241](#) [7325-1512-000](#) [73404-2300](#) [7405-1521-005](#) [7405-1521-802](#) [7406-1521-005](#) [8527](#) [8547](#) [FS11V](#) [8808-1511-001](#) [9049-9513-000](#) [9074-9513-000](#) [9101-9573-002](#) [910A205F](#) [9130-9573-002](#) [PL11SC-026](#) [PL375-33](#) [PL40-5](#) [PL71-9](#) [PL74C-221](#) [PL75MC-217](#) [PL803-7](#) [980-8666-005](#) [1200690078](#)