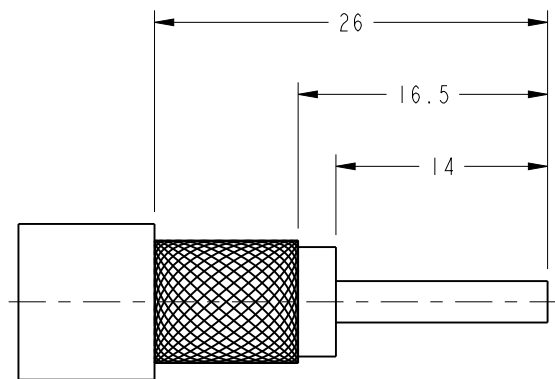


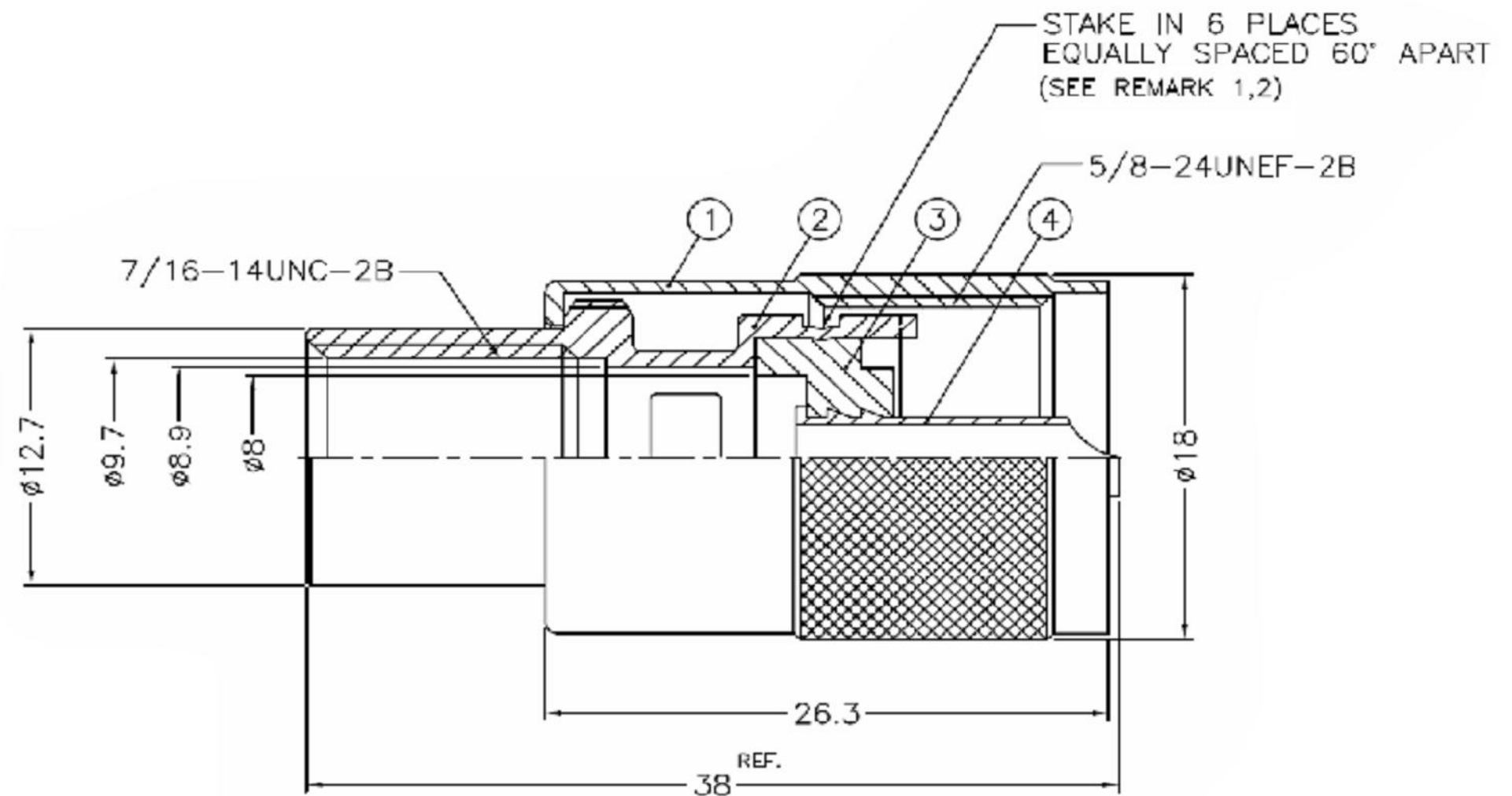
REMARK:1. NO.3 MUST WITHSTAND A 6 Lbs. MIN. PUSHOUT FORCE FROM NO.2 AFTER STAKING OPERATION

2. REMARK 1 IS MAINTAINED BY STAMPING THE SIX POINTS SHOWN ON THE DRAWING WITHOUT PUNCTURING NO.2

182120		REVISIONS			
DRAWING NO.	REV	DESCRIPTION	DATE	ECO	APPR
THIRD ANGLE PROJ.	NC	INITIAL RELEASE	17-Feb-98	--	
	A	UPDATE DRAWING FORMAT	05-Jan-06	--	
	B	SEPERATE BODY AND SHELL	24-Mar-09	--	
	C	UPDATED PER THE LATEST SUPPLIER PRINT	26-Dec-11	2267	RV



RECOMMENDED CABLE STRIPPING DIMENSIONS



NOTES: FINISH (PLATING THICKNESS IN MICRO-INCHES)
 1. BRASS
 2. SILVER PL. 80 MIN. THICK OVER COPPER PL. 50 MIN. THICK
 3. SILVER PL. 100 MIN. THICK OVER COPPER PL. 50 MIN. THICK
 4. TEFLON
 5. ZINC DIECAST

QTY	FINISH	MATERIAL	DESCRIPTION
1	SILVER	BRASS	CONTACT PIN
1	NATURAL	TEFLON	INSULATOR
1	SILVER	ZINC DIECAST	BODY
1	SILVER	BRASS	SHELL

UNLESS OTHERWISE SPECIFIED, DIMENSIONS ARE IN INCHES AND TOLERANCES ARE:
 2 PLACE DECIMAL ±.015 (0,381 mm)
 3 PLACE DECIMAL ±.005 (0,127 mm)
 ANGLES ± 1°

NOTICE - These drawings, specifications, or other data (1) are, and remain the property of Amphenol Corp. (2) must be returned upon request; and (3) are confidential and not to be disclosed to any person other than those to whom they are given by Amphenol Corp. The furnishing of these drawings, specifications, or other data by Amphenol Corp., or to any other person to anyone for any purpose is not to be regarded by implication or otherwise in any manner licensing, granting rights or permitting such holder or any other person to manufacture, use or sell any product, process or design, patented or otherwise, that may in any way be related to or disclosed by said drawings, specifications, or other data.

MATERIAL
SEE TABLE

REFERENCE
TASK # 830

DRAWN
RAJAVIJAYAN S
DATE
26-Dec-11

ENGINEER
RAJAVIJAYAN S
DATE
26-Dec-11

APPROVED
DATE

CAD FILE

TITLE
UHF SOLDER PLUG
(FOR RG-8/U, RG-312/U CABLE)

Amphenol Connex		SCALE: 2.0:1	SHEET 1 OF 1
		DWG SIZE B	DRAWING NO. 182120
	REV C		

X-ON Electronics

Largest Supplier of Electrical and Electronic Components

Click to view similar products for [RF Connectors / Coaxial Connectors](#) category:

Click to view products by [Amphenol](#) manufacturer:

Other Similar products are found below :

[8915-1511-000](#) [89674-0827](#) [6001-7071-019](#) [6002-7051-003](#) [6002-7551-202](#) [6059674-1](#) [619550-1](#) [630059-000](#) [M39030/3-01N](#) [M3933/25-36N](#) [6500-7071-046](#) [6769](#) [CX050L2AQ](#) [7002-1542-011](#) [7004-1512-000](#) [7009-1511-004](#) [7010-1511-000](#) [7029-1511-060](#) [7101-1541-010](#) [7101-1571-002](#) [7105-1521-002](#) [7145-1521-002](#) [7203-1571-003](#) [7209-1511-011](#) [7210-1511-015](#) [7210-1511-019](#) [73137-5015](#) [73216-2241](#) [7325-1512-000](#) [73404-2300](#) [7405-1521-005](#) [7405-1521-802](#) [7406-1521-005](#) [8527](#) [8547](#) [FS11V](#) [8808-1511-001](#) [9049-9513-000](#) [9074-9513-000](#) [9101-9573-002](#) [910A205F](#) [9130-9573-002](#) [PL11SC-026](#) [PL375-33](#) [PL40-5](#) [PL71-9](#) [PL74C-221](#) [PL75MC-217](#) [PL803-7](#) [980-8666-005](#)