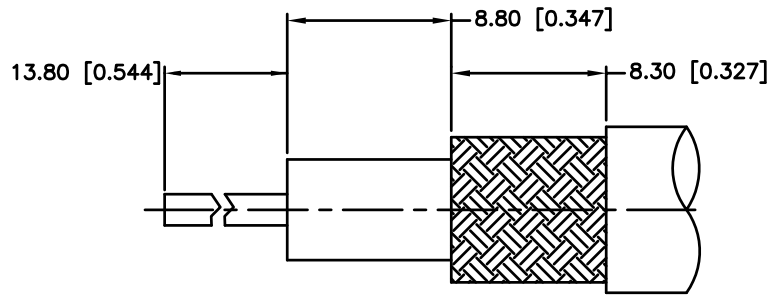
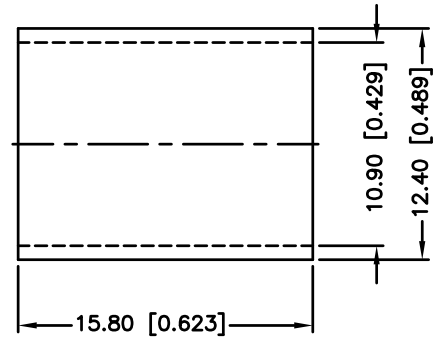
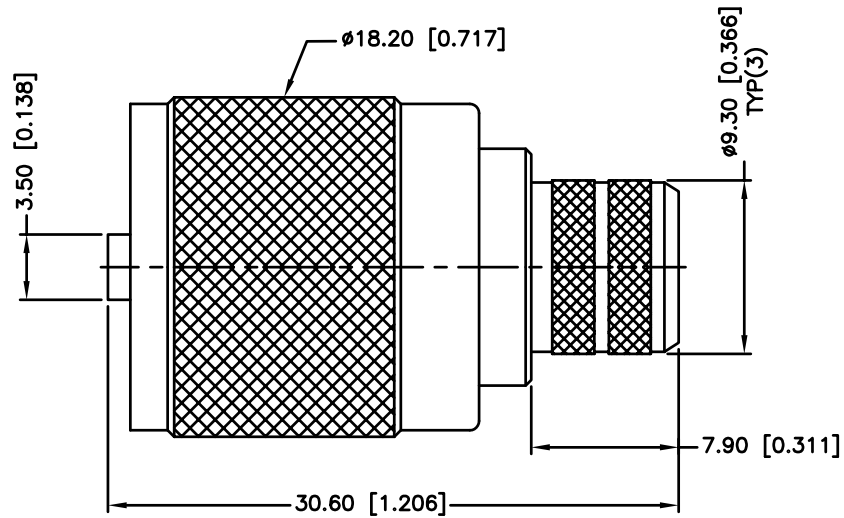


REV.	DATE	ECR NO.	DESCRIPTION
A	07/21/10	--	RELEASE TO MFG.



RECOMMENDED CABLE
STRIPPING DIM'S

NOTE:

1. CRIMPED FERRULE
HEX CRIMP SIZE 0.429"[10.90]
2. CRIMPED CONTACT PIN
HEX CRIMP SIZE 0.118"[3.00]

REV.	DATE	ECR NO.	DESCRIPTION
A	07/21/10	--	RELEASE TO MFG.

8				<small>UNLESS OTHERWISE SPECIFIED DIMENSIONS ARE IN MILLIMETERS. DIMENSIONS IN () ARE IN INCHES AND FOR CUSTOMER REFERENCE ONLY.</small> <small>UNLESS OTHERWISE SPECIFIED TOLERANCES FOR MILLIMETERS ARE:</small> 0.5 - 8mm ± 0.20mm 8 - 30mm ± 0.40mm 30 - 120mm ± 0.50mm <small>UNLESS OTHERWISE SPECIFIED TOLERANCES FOR INCHES ARE:</small> .020 - .315 = ± 0.007" .315 - 1.180 = ± 0.015" 1.180 - 4.724 = ± 0.020" DO NOT SCALE DRAWING	APPROVALS	DATE	<h1 style="text-align: center;">Amphenol Connex</h1> <p style="text-align: center;">PART DESCRIPTION</p> <h2 style="text-align: center;">UHF CRIMP PLUG</h2> <p style="text-align: center;">(FOR BELDEN 8214, 9913, 9914, LMR400 CABLE)</p> <p style="text-align: center;">PART NO.</p> <h2 style="text-align: center;">182130-10</h2>							
7					DRAWN	CLEMENT		07/21/10						
6					CHECKED									
5	FERRULE	COPPER	NICKEL		1	ISSUED								
4	CONTACT PIN	BRASS	SILVER		1	SHEET		1 OF 1						
3	INSULATOR	PTFE	NATURAL		1									
2	COUPLING NUT	BRASS	SILVER		1									
1	BODY	BRASS	SILVER		1									
	DESCRIPTION	MATERIAL	FINISH	QTY	CAD FILE	C:/182/182130-10.DWG	DWG. NO.	182130-10.DWG	REV.	A	SIZE	A	SCALE	NA

X-ON Electronics

Largest Supplier of Electrical and Electronic Components

Click to view similar products for [RF Connectors / Coaxial Connectors](#) category:

Click to view products by [Amphenol](#) manufacturer:

Other Similar products are found below :

[8915-1511-000](#) [89674-0827](#) [6001-7071-019](#) [6002-7051-003](#) [6002-7551-202](#) [6059674-1](#) [619550-1](#) [630059-000](#) [M39030/3-01N](#) [M3933/25-36N](#) [6500-7071-046](#) [6769](#) [CX050L2AQ](#) [7002-1542-011](#) [7004-1512-000](#) [7009-1511-004](#) [7010-1511-000](#) [7029-1511-060](#) [7101-1541-010](#) [7101-1571-002](#) [7105-1521-002](#) [7145-1521-002](#) [7203-1571-003](#) [7209-1511-011](#) [7210-1511-015](#) [7210-1511-019](#) [73137-5015](#) [73216-2241](#) [7325-1512-000](#) [73404-2300](#) [7405-1521-005](#) [7405-1521-802](#) [7406-1521-005](#) [8527](#) [8547](#) [FS11V](#) [8808-1511-001](#) [9049-9513-000](#) [9074-9513-000](#) [9101-9573-002](#) [910A205F](#) [9130-9573-002](#) [PL11SC-026](#) [PL375-33](#) [PL40-5](#) [PL71-9](#) [PL74C-221](#) [PL75MC-217](#) [PL803-7](#) [980-8666-005](#)